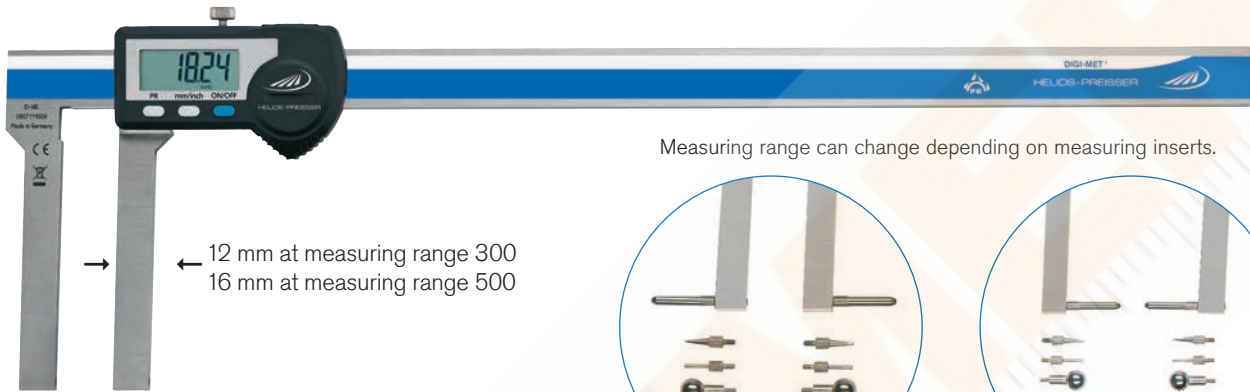


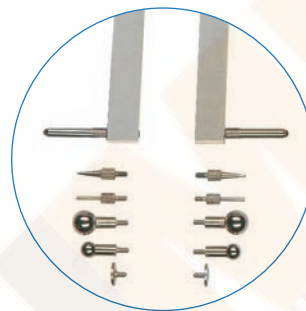


1348 DIGI-MET® Universal calipers

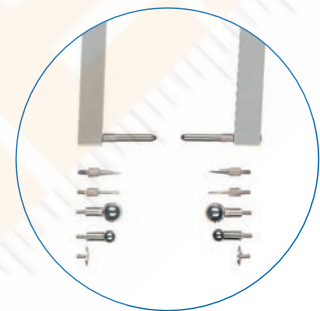


Measuring range can change depending on measuring inserts.

→ ← 12 mm at measuring range 300
16 mm at measuring range 500



for internal measurements



for external measurements

Model

- Stainless steel
- Factory standard
- Protection class IP65
- LCD display 10 or 12.5 mm
- Locking screw
- For internal and external measurements
- Individually adaptable on problematic tasks through measuring inserts with thread M 2.5

Functions

- ON / OFF
- **Quick-Start**
- **Quick-Lock** (key lock)
- Set to zero at any point
- mm / inch switching
- PRESET-Function (setting a numerical value)
- Variable data output RS 232 + Digimatic + USB

Delivery

- 300 mm measuring range in plastic case
- 500 mm measuring range in wooden case
- Without measuring inserts ([correct measuring inserts with thread M 2.5, see pages 108-111](#))

| ✕ | Measuring range | | Jaw length | | Reading | | Error limit | Order no. | List price |
|---|-----------------|--------|------------|------|---------|-------|-------------|-----------|------------|
| | mm | inch | mm | inch | mm | inch | mm | | EUR |
| | 0 - 300 | 0 - 12 | 90 | 3.5 | 0.01 | .0005 | 0.06 | 1348 722 | 685.00 |
| | 0 - 500 | 0 - 20 | 100 | 4.0 | 0.01 | .0005 | 0.08 | 1348 728 | 877.00 |



1998720

1998501

1997501

Accessories

- Data cable DATA VARIABLE to RS232
- Data cable DATA VARIABLE to digimatic
- Data cable DATA VARIABLE to USB

Order no.

- 1997 501
- 1998 501
- 1998 720

List price

- EUR 57.00
- EUR 73.00
- EUR 82.00