



0184 Pocket vernier calipers



ISO
13385



Model

- Stainless steel
- Reading parts have a satin chrome finish
- ISO 13385
- Inside cross points
- Low-set master scale
- Four way measurement
- Includes thread table

Delivery

- Imitation leather case

✕	☒	Measuring range		Jaw length		Reading		Error limit	Depth gauge	Order no.	List price
		mm	inch	mm	inch	mm	inch	mm			EUR
With thumb clamp											
		0 - 150	0 - 6	40	1.6	0.05	1/128	0.05	rectangular	0184 501	29.40
		0 - 200	0 - 8	50	1.6	0.05	1/128	0.05	rectangular	0184 505	38.90
		0 - 300	0 - 12	60	2.0	0.05	1/128	0.05	none	0184 508	58.00

0185 Pocket vernier calipers



ISO
13385



Model

- Stainless steel
- Reading parts have a satin chrome finish
- ISO 13385
- Inside cross points
- Low-set master scale
- Four way measurement
- Includes thread table

Delivery

- Imitation leather case

✕	☒	Measuring range		Jaw length		Reading		Error limit	Depth gauge	Order no.	List price
		mm	inch	mm	inch	mm	inch	mm			EUR
With locking screw											
		0 - 100	0 - 4	30	1.2	0.05	-	0.05	rectangular	0185 500	22.60
		0 - 150	0 - 6	40	1.6	0.05	1/128	0.05	rectangular	0185 501	29.40
		0 - 200	0 - 8	50	2.0	0.05	1/128	0.05	rectangular	0185 505	38.90
		0 - 300	0 - 12	60	2.4	0.05	1/128	0.05	none	0185 508	58.00
With reading 0.02 mm											
		0 - 150	0 - 6	40	1.6	0.02	0.001	0.03	rectangular	0185 50105	29.40
		0 - 200	0 - 8	50	2.0	0.02	0.001	0.03	rectangular	0185 50505	38.90



0188 / 0189 Pocket vernier calipers



ISO
13385

1



0188 501



0189 501

Model

- Stainless steel
- Reading parts have a satin chrome finish
- ISO 13385

Delivery

- Imitation leather case

Icon	Measuring range		Jaw length		Reading		Error limit	Depth gauge	Order no.	List price
	mm	inch	mm	inch	mm	inch				
With thumb clamp	0 - 150	0 - 6	40	1.6	0.05	1/128	0.05	rectangular	0188 501	26.00
With locking screw	0 - 150	0 - 6	40	1.6	0.05	1/128	0.05	rectangular	0189 501	26.00

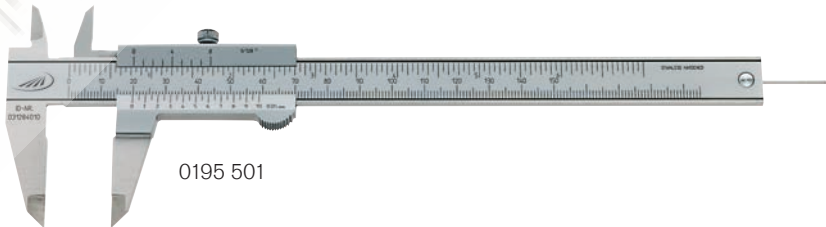
0194 / 0195 Pocket vernier calipers with round depth rod



ISO
13385



0194 501



0195 501

Model

- Stainless steel
- Reading parts have a satin chrome finish
- ISO 13385

Delivery

- Imitation leather case

Icon	Measuring range		Jaw length		Reading		Error limit	Depth gauge	Order no.	List price
	mm	inch	mm	inch	mm	inch				
With thumb clamp	0 - 150	0 - 6	40	1.6	0.05	1/128	0.05	round 1.6	0194 501	30.50
With locking screw	0 - 150	0 - 6	40	1.6	0.05	1/128	0.05	round 1.6	0195 501	30.50



0196 Pocket vernier calipers with reading 0.02 mm



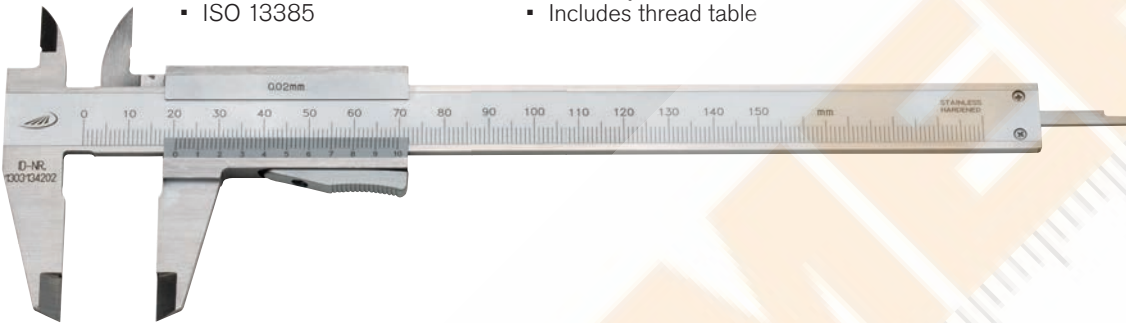
Model

- Stainless steel
- Reading parts have a satin chrome finish
- ISO 13385
- Inside cross points
- Low-set master scale
- Four way measurement
- Includes thread table

Delivery

- Imitation leather case

ISO
13385



	Measuring range		Jaw length		Reading	Error limit	Depth gauge	Order no.	List price
	mm	inch	mm	inch					
With thumb clamp	0 - 150	0 - 6	40	1.6	0.02	0.03	rectangular	019650 105	28.30



	Measuring range		Jaw length		Reading	Error limit	Depth gauge	Order no.	List price
	mm	inch	mm	inch					
With locking screw	0 - 200	0 - 8	40	2.0	0.02	0.03	round 1.6	019650 516	40.50



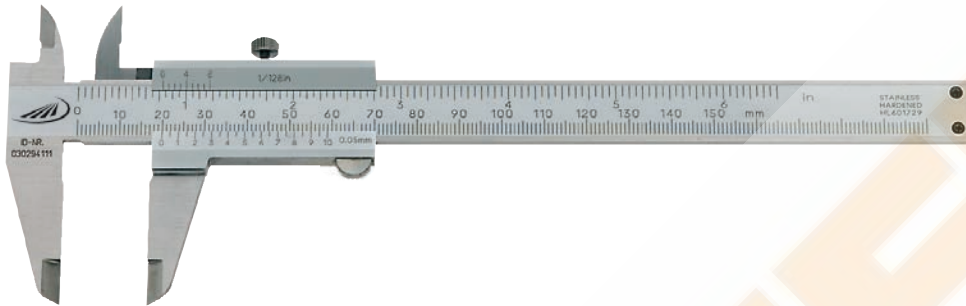
	Measuring range		Jaw length		Reading	Error limit	Depth gauge	Order no.	List price
	mm	inch	mm	inch					
With locking screw	0 - 150	0 - 6	40	1.6	0.02	0.03	rectangular	019650 116	28.30



0197 Pocket vernier calipers SOFT - SLIDE



ISO
13385



Model

- Smooth running due to twice lapped guide surface
- Stainless steel
- Reading parts have a satin chrome finish

Delivery

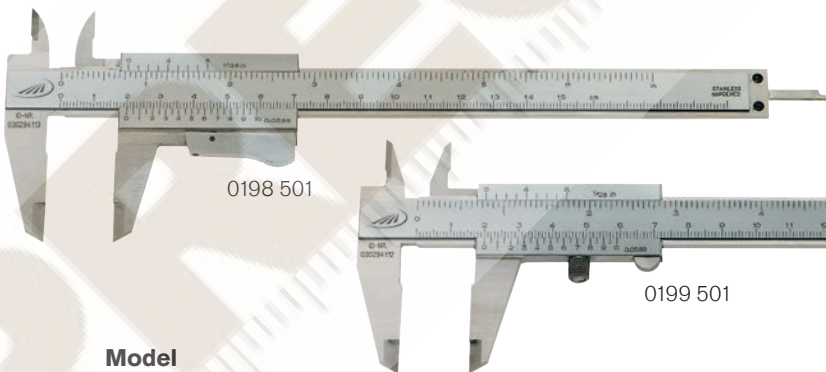
- Imitation leather case

Icon	Measuring range		Jaw length		Error limit	Depth gauge	Order no.	List price
	mm	inch	mm	inch				
	0 - 150	0 - 6	40	1.6	0.05	rectangular	0197 501	37.20
	0 - 200	0 - 8	50	2.0	0.05	rectangular	0197 505	85.00
	0 - 300	0 - 12	60	2.4	0.05	none	0197 508	168.00

0198 / 0199 Pocket vernier calipers with parallax-free reading



ISO
13385



Model

- **Parallax-free reading**
- Stainless steel
- Reading parts have a satin chrome finish
- ISO 13385

Delivery

- Imitation leather case

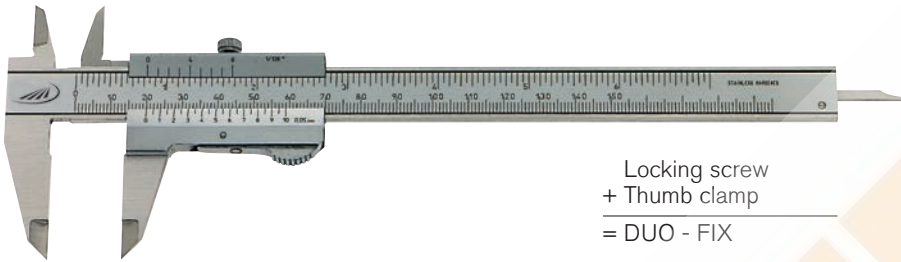
Icon	Measuring range		Jaw length		Reading		Error limit	Depth gauge	Order no.	List price
	mm	inch	mm	inch	mm	inch				
With thumb clamp										
	0 - 150	0 - 6	40	1.6	0.05	1/128	0.05	rectangular	0198 501	34.40
With locking screw										
	0 - 150	0 - 6	40	1.6	0.05	1/128	0.05	rectangular	0199 501	34.40



0190 Pocket vernier caliper DUO-FIX



ISO
13385



Locking screw
+ Thumb clamp
= DUO - FIX

Model

- Stainless steel
- Reading parts have a satin chrome finish
- ISO 13385
- Thumb clamp **and** locking screw
- Inside cross points
- Low-set master scale
- Four way measurement
- Includes thread table

Delivery

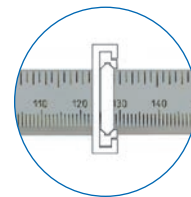
- Imitation leather case

Marked	Measuring range		Jaw length		Reading		Error limit	Depth gauge	Order no.	List price
	mm	inch	mm	inch	mm	inch				
	0 - 150	0 - 6	40	1.6	0.05	1/128	0.05	rectangular	0190 501	EUR 30.50

0203 Precision pocket vernier caliper PRISMA



ISO
13385



Model

- **Parallax-free reading**
- **Double prisma guide with excellent sliding characteristics**
- Stainless steel
- Reading parts have a satin chrome finish
- ISO 13385
- Low-set locking screw
- Inside cross points
- Four way measurement
- Includes thread table

Delivery

- Imitation leather case

Marked	Measuring range		Jaw length		Reading		Error limit	Depth gauge	Order no.	List price
	mm	inch	mm	inch	mm	inch				
	0 - 150	0 - 6	40	1.6	0.05	1/128	0.05	rectangular	0203 501	EUR 59.00



0182 Pocket vernier caliper for lefthanded



1

Model

- Stainless steel
- Reading parts have a satin chrome finish
- Locking screw
- Factory standard

Delivery

- Imitation leather case

	Measuring range		Jaw length		Reading		Error limit	Depth gauge	Order no.	List price
	mm	inch	mm	inch	mm	inch				
	0 - 150	0 - 6	40	1.6	0.05	1/128	0.05	rectangular	0182 501	EUR 38.90

PRECISION



0180 Pocket caliper



Model

- Made from hard brass
- Factory standard

Delivery

- Cardboard box

	Measuring range		Jaw length		Reading		Order no.	List price
	mm	inch	mm	inch	mm	inch		
	0 - 100	0 - 6	25	1.0	0.1	1/16	0180 320	EUR 8.10

0180 Pocket caliper



Model

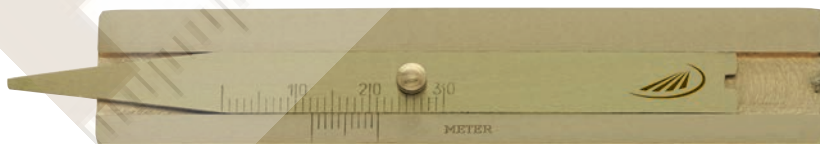
- Made from hard brass
- Stepped jaw 5 mm for internal measurement
- Factory standard

Delivery

- Cardboard box

	Measuring range		Jaw length		Reading		Order no.	List price
	mm	inch	mm	inch	mm	inch		
	0 - 100	0 - 6	25	1.0	0.1	1/16	0180 330	EUR 8.10

0180 Tyre profile depth gauge



Model

- Made from hard brass
- Factory standard

Delivery

- Cardboard box

	Measuring range		Jaw length		Reading		Order no.	List price
	mm	inch	mm	inch	mm	inch		
	0 - 30	0 - 1.18	30	1.2	0.1	1/16	0180 310	EUR 5.00

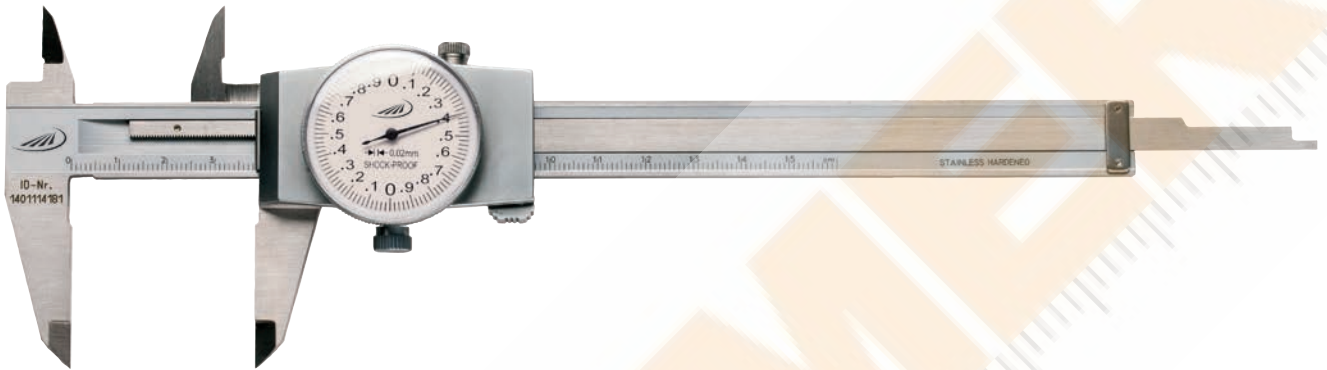


0217 / 0218 Dial calipers



ISO
13385

1



Model

- Stainless steel
- Satin chrome scale
- ISO 13385
- Locking screw
- Inside cross points

Delivery

- One pointer revolution with 0217 = 2 mm with 0218 = 1 mm
- Four way measurement

- Fitted case

☒	Measuring range		Jaw length		Reading	Error limit	Depth gauge	Order no.	List price
	mm	inch	mm	inch	mm	mm			EUR
▪	0 - 150	0 - 6	40	1.6	0.02	0.03	rectangular	0217 501	76.00
▪	0 - 200	0 - 8	40	1.6	0.02	0.03	rectangular	0217 502	153.00
▪	0 - 150	0 - 6	40	1.6	0.01	0.03	rectangular	0218 501	102.00



0212 Quality measuring tool set, 8 piece



Content

- Pocket calipers DUO-FIX
- External micrometer with carbide measuring faces, measuring range 0-25 mm, reading 0.01 mm
- Flexible steel rule, stainless steel, measuring range 200 mm, graduation mm / mm, 13 x 0.5 mm
- Knife square, hardened, DIN 875/00, 100 x 70 mm, with non-glare knife edge
- Knife edge, hardened and ground, DIN 874/00, length 100 mm
- Scriber, carbide tipped, hexagonal handle made of one piece, with pocket clip, length 180 mm
- Radius gauge, special steel, 17 sheets, concave and convex, with locking nut, measuring range 1.0 – 7.0 mm
- Screw pitch gauge, combined metric ISO- and Whitworth thread, 48 blades, increments 0.4 – 7.0 / 4 – 62

Shipment

- Wooden case

	Measuring range mm	Ablesung mm	Ablesung inch	Tiefenmaß mm	Best. Nr.	Listenpreis EUR
Set mit Taschenmessschieber DUO - FIX (0190 501)						
	0 - 150	0.05	1/128	rect.	0212 520	150.00



DIGI-MET® QuickStart Electronic



QuickStart-Electronic with the QuickLock-Function for only one zero setting

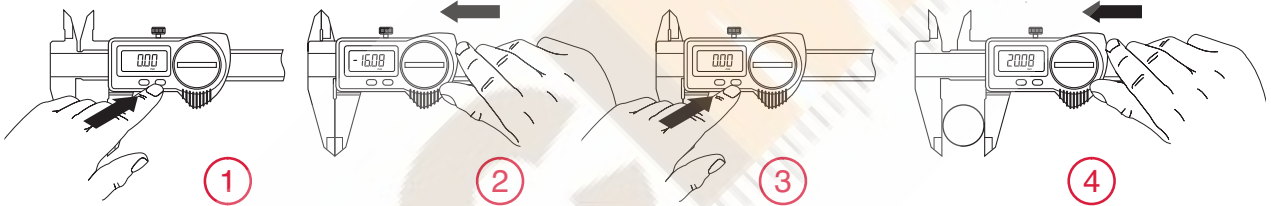
All digital calipers with the QuickStart-Electronic also have the **QuickLock** Function. Only set the zero position once, zero position remains stored for all further measurements. When the **QuickLock** Function is activated a lock symbol appears in the display, this ensures that the zero position is protected against any operating error caused by accidental usage of the operating keys (keys are locked). The caliper is immediately ready for measurement; once the caliper is switched ON or the slide is moved, the display is automatically activated.

The need to reset to zero as with a conventional caliper once it is switched on is obsolete.

1

Conventional

- ① Switch ON
- ② Close the measuring jaws
- ③ Set to zero
- ④ Result of measurement



QuickStart Electronic

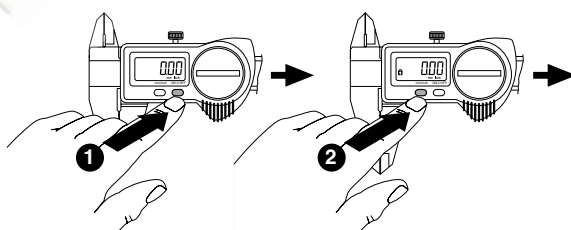


Press the ON key or move the slide

DIGI-MET® QuickLock-Function



- 1. Set to zero
- 2. Activate the QuickLock Function

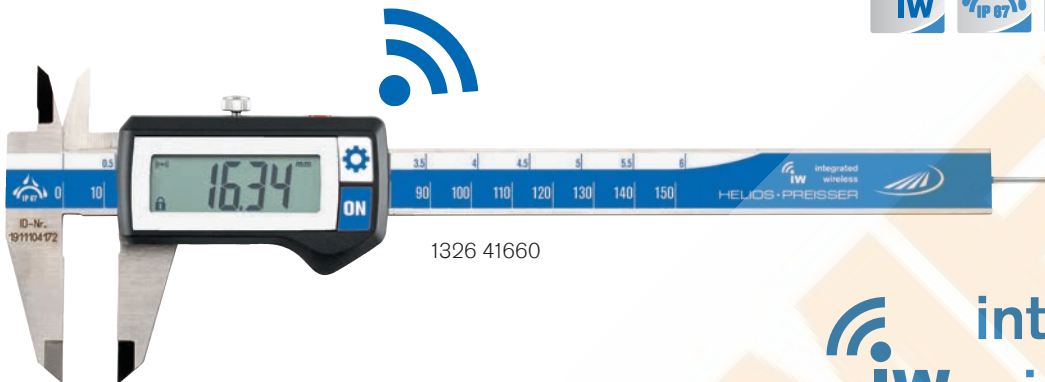


Advantages of the QuickLock Function

- The caliper is immediately ready for measurement
- Lock symbol appears in the display. This ensures that the zero position is protected against any operating error caused by accidental usage of the operating keys (keys are locked)



1326i DIGI-MET® Pocket calipers IP67 with integrated wireless



1326 41660

integrated IW wireless

Wireless Data Transmission

Model

- Measuring system is insensitive to cooling agents and dust
- Protection class IP67
- Stainless steel
- LCD display 11 mm
- ISO 13385
- Housing and operating keys have an excellent chemical resistance
- Locking screw
- Inside cross points
- Four way measurements

Functions

- ON / OFF
- **Quick-Start**
- **Quick-Lock** (key lock)
- Set to zero at any point
- mm / inch switching
- PRESET-Function (setting a numerical value)
- Integrated Wireless

Delivery

- Plastic case



More information on our i-series and Integrated Wireless on page 224

✕	📏	Measuring range		Jaw length		Reading		Error limit	Depth gauge	Order no.	List price
		mm	inch	mm	inch	mm	inch				
▪		0 - 150	0 - 6	40	1.6	0.01	.0005	0.03	round 1.5	1326 41660	246.00
▪		0 - 150	0 - 6	40	1.6	0.01	.0005	0.03	rectangular	1326 41760	246.00
▪		0 - 200	0 - 8	50	2.0	0.01	.0005	0.03	rectangular	1326 41860	315.00
▪		0 - 300	0 - 12	65	2.5	0.01	.0005	0.04	none	1326 42260	380.00



1998780

Accessories

i-Stick USB-receiver for Integrated Wireless

Order no.

1998 780

List price

EUR

108.00

Integrated Wireless is intended to be sold within the European Economic Area only

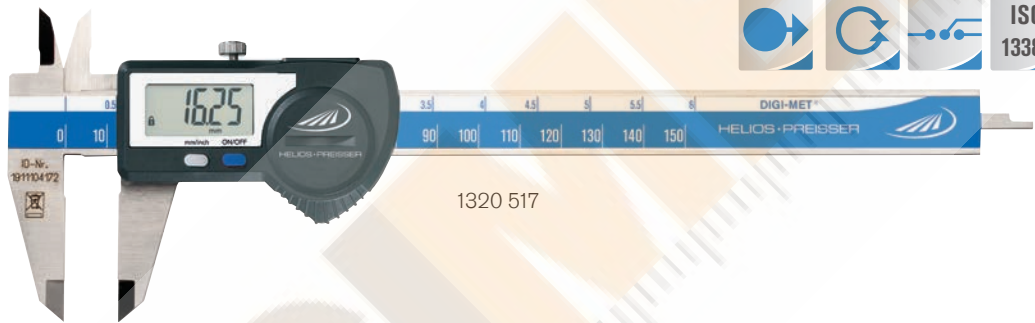


HELIOS · PREISSER

1320 DIGI-MET® Pocket calipers



1320 416



1320 517



Model

- Inductive measuring system, resistant to moisture and sweat
- Stainless steel
- LCD display 11 mm without data output, 7.5 mm with data output
- ISO 13385
- Locking screw
- Inside cross points

- Four way measurement with measuring ranges 150 and 200 mm
- Three way measurement with measuring range 300 mm

Functions

- ON / OFF
- **Quick-Start**
- **Quick-Lock** (key lock)
- Set to zero at any point
- mm / inch switching
- PRESET-Function (setting a numerical value 1320 4xx only)
- Variable data output RS 232 + Digimatic + USB (1320 5xx only)

Delivery

- Plastic case

▶▶	Measuring range		Jaw length		Reading		Error limit	Depth gauge	Order no.	List price EUR
	mm	inch	mm	inch	mm	inch				
Without data output										
▪	0 - 150	0 - 6	40	1.6	0.01	.0005	0.03	round 1.5	1320 416	130.00
▪	0 - 150	0 - 6	40	1.6	0.01	.0005	0.03	rectangular	1320 417	130.00
With DATA VARIABLE										
▪	0 - 150	0 - 6	40	1.6	0.01	.0005	0.03	round 1.5	1320 516	164.00
▪	0 - 150	0 - 6	40	1.6	0.01	.0005	0.03	rectangular	1320 517	164.00
▪	0 - 200	0 - 8	50	2.0	0.01	.0005	0.03	rectangular	1320 519	209.00
▪	0 - 300	0 - 12	65	2.5	0.01	.0005	0.04	none	1320 522	265.00
With DATA VARIABLE, with extra long cross points (40 mm)										
▪	0 - 150	0 - 6	40	1.6	0.01	.0005	0.03	round 1.5	1320 518	446.00

More information on 1320 518 on page 39



1998720

1998501

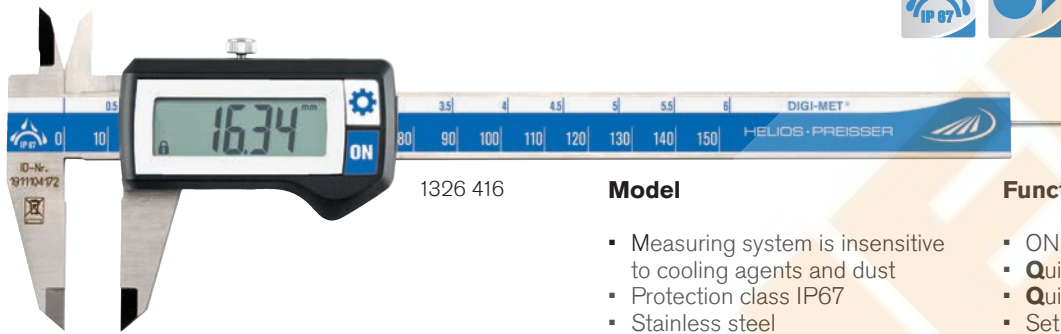
1997501

Accessories

	Order no.	List price EUR
Data cable DATA VARIABLE to digimatic	1998 501	73.00
Data cable DATA VARIABLE to RS232	1997 501	57.00
Data cable DATA VARIABLE to USB	1998 720	82.00



1326 DIGI-MET® Pocket calipers IP67



1326 416

Model

- Measuring system is insensitive to cooling agents and dust
- Protection class IP67
- Stainless steel
- LCD display 11 mm
- ISO 13385
- Housing and operating keys have an excellent chemical resistance
- Locking screw
- Inside cross points
- Four way measurement with measuring ranges 150 and 200 mm
- Three way measurement with measuring range 300 mm

Functions

- ON / OFF
- Quick-Start
- Quick-Lock (key lock)
- Set to zero at any point
- mm / inch switching
- PRESET-Function (setting a numerical value)

Delivery

- Plastic case

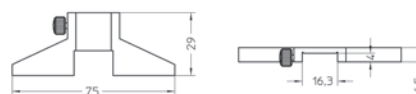
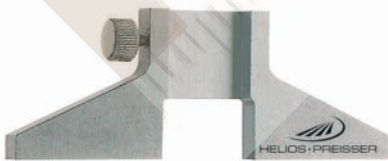
✕	🏠	Measuring range		Jaw length		Reading		Error limit	Depth gauge	Order no.	List price
		mm	inch	mm	inch	mm	inch				
▪		0 - 150	0 - 6	40	1.6	0.01	.0005	0.03	round 1.5	1326 416	180.00
▪		0 - 150	0 - 6	40	1.6	0.01	.0005	0.03	rectangular	1326 417	180.00
▪		0 - 200	0 - 8	50	2.0	0.01	.0005	0.03	rectangular	1326 418	254.00
▪		0 - 300	0 - 12	65	2.5	0.01	.0005	0.04	none	1326 422	322.00
With carbide-tipped measuring jaws											
▪		0 - 150	0 - 6	40	1.6	0.01	.0005	0.03	round 1.5	1326 914	387.00

0220 Additional depth measuring base



Model

- Stainless steel
- Bridge length: 75 mm
- Dimensions: 75 x 6.5 mm



✕	🏠	Order no.	List price
		0220 705	25.30



HELIOS · PREISSER

1326 DIGI-MET® Pocket calipers IP67 with data output



1

Model

- Measuring system is insensitive to cooling agents and dust
- Protection class IP67
- Stainless steel
- LCD display 7,5 mm
- ISO 13385
- Locking screw
- Inside cross points
- Four way measurement

Functions

- ON / OFF
- **Quick-Start**
- **Quick-Lock** (key lock)
- Set to zero at any point
- mm / inch switching
- Variable data output RS 232 + Digimatic + USB

Delivery

- Plastic case

✕	Measuring range		Jaw length		Reading		Error limit	Depth gauge	Order no.	List price
	mm	inch	mm	inch	mm	inch				
▪	0 - 150	0 - 6	40	1.6	0.01	.0005	0.03	round 1.5	1326 516	180.00
▪	0 - 150	0 - 6	40	1.6	0.01	.0005	0.03	rectangular	1326 517	180.00
▪	0 - 200	0 - 8	50	2.0	0.01	.0005	0.03	rectangular	1326 518	265.00



1998720

1997501

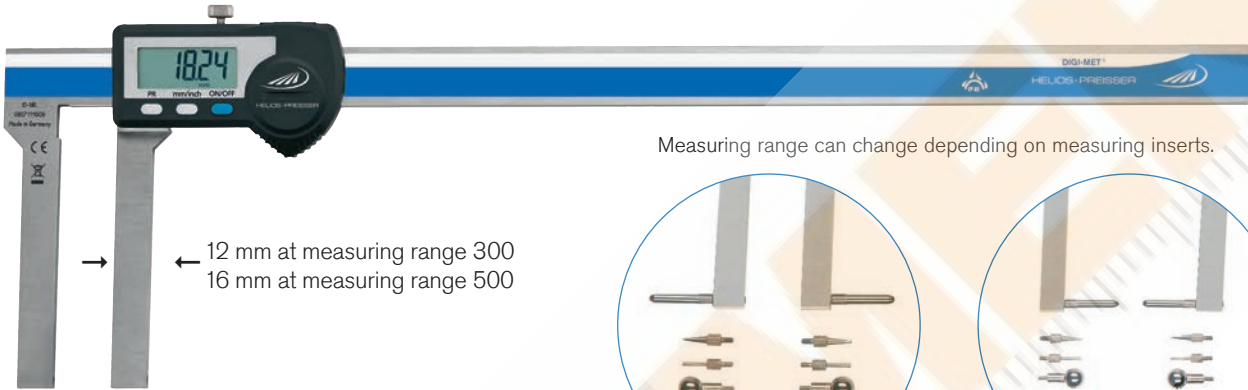
1998501

Accessories

	Order no.	List price
Data cable DATA VARIABLE to RS232	1997 501	57.00
Data cable DATA VARIABLE to digimatic	1998 501	73.00
Data cable DATA VARIABLE to USB	1998 720	82.00

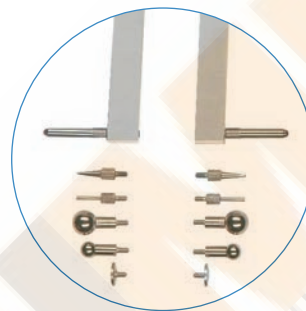


1348 DIGI-MET® Universal calipers

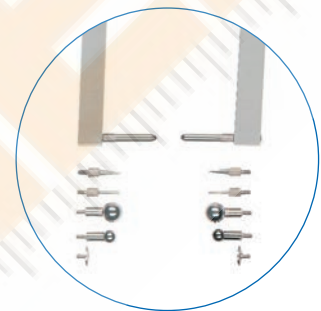


Measuring range can change depending on measuring inserts.

→ 12 mm at measuring range 300
← 16 mm at measuring range 500



for internal measurements



for external measurements

Model

- Stainless steel
- Factory standard
- Protection class IP65
- LCD display 10 or 12.5 mm
- Locking screw
- For internal and external measurements
- Individually adaptable on problematic tasks through measuring inserts with thread M 2.5

Functions

- ON / OFF
- **Quick-Start**
- **Quick-Lock** (key lock)
- Set to zero at any point
- mm / inch switching
- PRESET-Function (setting a numerical value)
- Variable data output RS 232 + Digimatic + USB

Delivery

- 300 mm measuring range in plastic case
- 500 mm measuring range in wooden case
- Without measuring inserts ([correct measuring inserts with thread M 2.5, see pages 108-111](#))

✕	Measuring range		Jaw length		Reading		Error limit	Order no.	List price
	mm	inch	mm	inch	mm	inch	mm		EUR
	0 - 300	0 - 12	90	3.5	0.01	.0005	0.06	1348 722	685.00
	0 - 500	0 - 20	100	4.0	0.01	.0005	0.08	1348 728	877.00



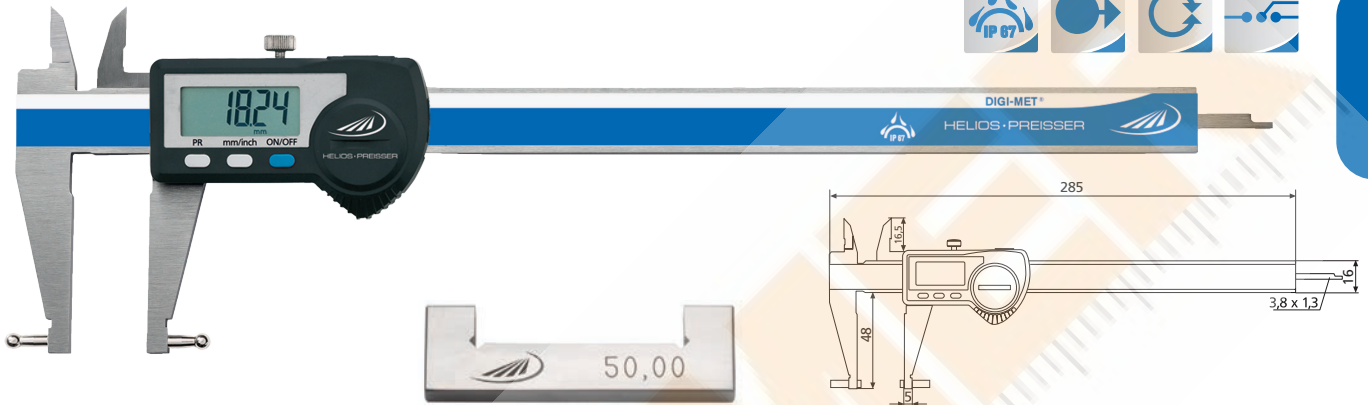
1998720 1998501 1997501

Accessories

	Order no.	List price
Data cable DATA VARIABLE to RS232	1997 501	57.00
Data cable DATA VARIABLE to digimatic	1998 501	73.00
Data cable DATA VARIABLE to USB	1998 720	82.00



1326 Universal pocket caliper „Pocket Talent“



Incl. setting standard

Model

- Stainless steel
- Protection class IP67
- Factory standard
- LCD display 7.5 mm
- Locking screw
- For internal and external measurements
- Individually adaptable on problematic tasks through measuring inserts with thread M 2.5

Functions

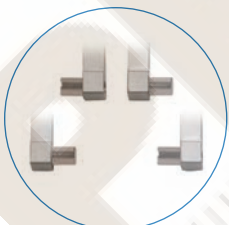
- ON / OFF
- **Quick-Start**
- **Quick-Lock** (key lock)
- Set to zero at any point
- mm / inch switching
- PRESET-Function (setting a numerical value)
- Variable data output RS 232 + Digimatic + USB

Delivery

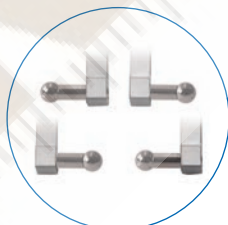
- Plastic case
- Measuring inserts No. 0710161* and 0710177*
Planar surface Ø 4.8 mm /
Ball inserts Ø 5.0 mm
- Setting standard 50 mm

Measuring range	Measuring range		Jaw length	Reading		Order no.	List price
	mm	inch		mm	inch		
0 - 200	0 - 8	48	0.01	.0005	1326 932	405.00	

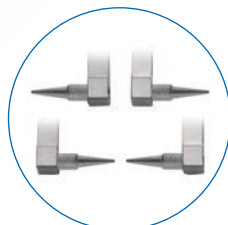
Our all-round talent can be combined with all common types of measuring inserts for indicators with a standard M 2.5 thread. This way, the Pocket Talent offers you various solutions for numerous measurement applications.



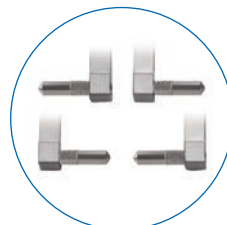
0710161*



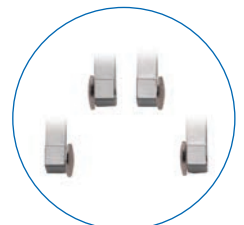
0710177*



0710166



0710167



0710163



1998720



1998501



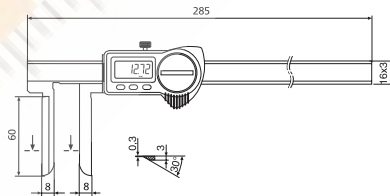
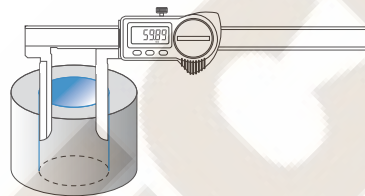
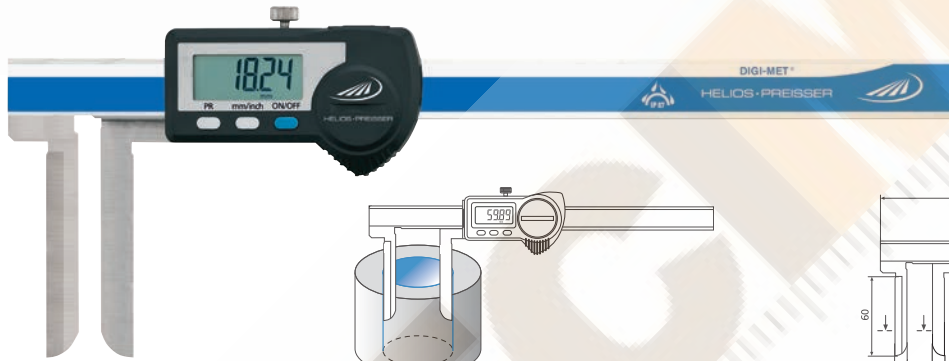
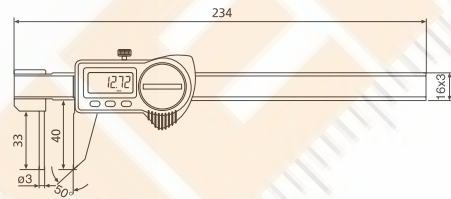
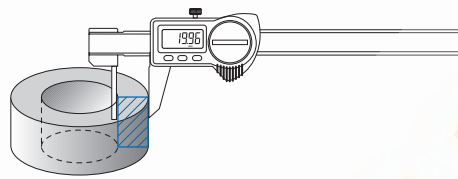
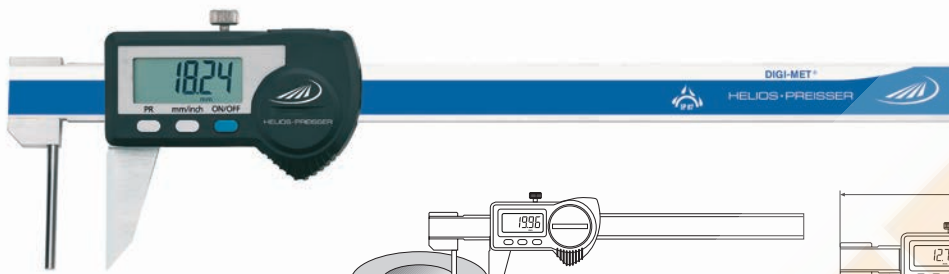
1997501

Accessories

Accessories	Order no.	List price
		EUR
Measuring inserts M 2.5	0710 161	4.90
Measuring inserts M 2.5	0710 163	7.40
Measuring inserts M 2.5	0710 166	6.70
Measuring inserts M 2.5	0710 167	4.70
Measuring inserts M 2.5	0710 177	9.30
Setting standard for Pocket Talent	1326 990	44.00
Data cable DATA VARIABLE to RS232	1997 501	57.00
Data cable DATA VARIABLE to digimatic	1998 501	73.00
Data cable DATA VARIABLE to USB	1998 720	82.00



1326 DIGI-MET® Pocket calipers for specific measuring tasks



Model

- Protection class IP67
- Stainless steel
- LCD display 7.5 mm
- Factory standard
- Measuring system is insensitive to cooling agents and dust
- Housing and operating keys have an excellent chemical resistance
- Inside cross points
- Locking screw

Functions

- ON / OFF
- Quick-Start
- Quick-Lock (key lock)
- Set to zero at any point
- mm / inch switching
- PRESET-Function (setting a numerical value)
- Variable data output RS 232 + Digimatic + USB

Delivery

- Plastic case

Icon	Measuring range		Jaw length		Reading		Order no.	List price EUR
	mm	inch	mm	inch	mm	inch		
	Wall thickness caliper							
	0 - 150	0 - 6	40	1.6	0.01	.0005	1326 918	567.00
	With long cross jaws for inner measurements							
	10 - 200	0.4 - 8	60	2.4	0.01	.0005	1326 930	736.00

Accessories



1998720

1997501

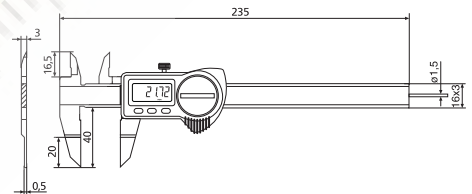
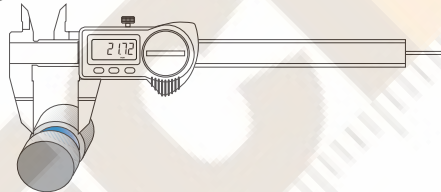
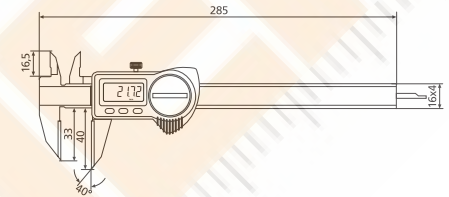
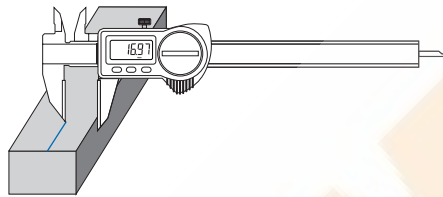
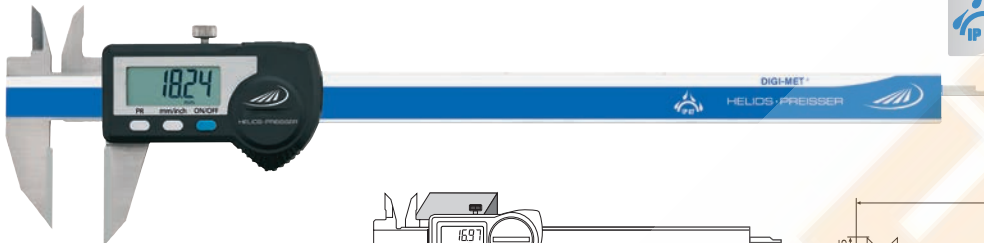
1998501

Accessories	Order no.	List price EUR
Data cable DATA VARIABLE to RS232	1997 501	57.00
Data cable DATA VARIABLE to digimatic	1998 501	73.00
Data cable DATA VARIABLE to USB	1998 720	82.00



HELIOS · PREISSER

1326 DIGI-MET® Pocket calipers for specific measuring tasks



Model

- Protection class IP67
- Stainless steel
- LCD display 7,5 mm
- Factory standard
- Measuring system is insensitive to cooling agents and dust
- Housing and operating keys have an excellent chemical resistance
- Inside cross points
- Locking screw

Functions

- ON / OFF
- Quick-Start
- Quick-Lock (key lock)
- Set to zero at any point
- mm / inch switching
- PRESET-Function (setting a numerical value)
- Variable data output RS 232 + Digimatic + USB

Delivery

- Plastic case

Icon	Measuring range		Jaw length		Reading		Depth gauge	Order no.	List price EUR
	mm	inch	mm	inch	mm	inch			
Scribing caliper with carbide-tipped outer measuring surfaces									
	0 - 200	0 - 8	33	1.3	0.01	.0005	rectangular	1326 912	361.00
With flat measuring surfaces e.g. for outer recesses									
	0 - 150	0 - 6	40	1.6	0.01	.0005	round 1.5	1326 920	615.00

Accessories



1998720

1997501

1998501

	Order no.	List price EUR
Data cable DATA VARIABLE to RS232	1997 501	57.00
Data cable DATA VARIABLE to digimatic	1998 501	73.00
Data cable DATA VARIABLE to USB	1998 720	82.00



1326 DIGI-MET® Pocket calipers for specific measuring tasks



Model

- Protection class IP67
- Stainless steel
- LCD display 7,5 mm
- Factory standard
- Measuring system is insensitive to cooling agents and dust
- Housing and operating keys have an excellent chemical resistance
- Inside cross points
- Locking screw

Functions

- ON / OFF
- Quick-Start
- Quick-Lock (key lock)
- Set to zero at any point
- mm / inch switching
- PRESET-Function (setting a numerical value)
- Variable data output RS 232 + Digimatic + USB

Delivery

- Plastic case

Measuring range	Jaw length		Reading		Order no.	List price EUR
	mm	inch	mm	inch		
With pointed jaws						
0 - 150	0 - 6	40	1.6	0.01	.0005	1326 916 447.00
With fine measuring tips						
0 - 150	0 - 6	40	1.6	0.01	.0005	1326 922 504.00



1998720

1998501

1997501

Accessories

	Order no.	List price EUR
Data cable DATA VARIABLE to RS232	1997 501	57.00
Data cable DATA VARIABLE to digimatic	1998 501	73.00
Data cable DATA VARIABLE to USB	1998 720	82.00

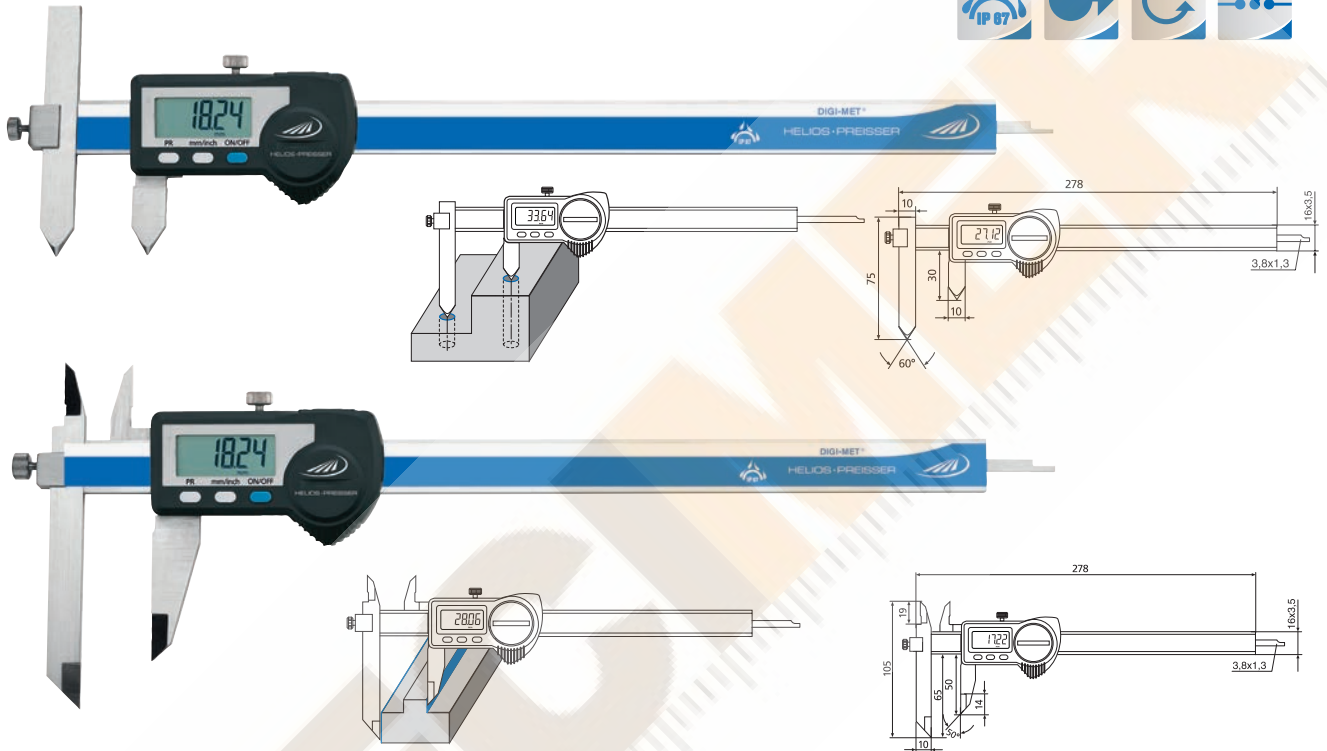


HELIOS · PREISSER

1326 DIGI-MET® Pocket calipers for specific measuring tasks



1



Model

- Protection class IP67
- Stainless steel
- LCD display 7.5 mm
- Factory standard
- Measuring system is insensitive to cooling agents and dust
- Housing and operating keys have an excellent chemical resistance
- Inside cross points
- Locking screw

Functions

- ON / OFF
- Quick-Start
- Quick-Lock (key lock)
- Set to zero at any point
- mm / inch switching
- PRESET-Function (setting a numerical value)
- Variable data output RS 232 + Digimatic + USB

Delivery

- Plastic case

Measuring range	Measuring range		Jaw length		Reading		Order no.	List price EUR
	mm	inch	mm	inch	mm	inch		
Moving jaws for measuring the distance between bores								
10 - 210	0.4 - 8.3	75	3.0	0.01	.0005	1326 924	500.00	
Moving jaws + cross tips								
0 - 200	0 - 8	65	2.5	0.01	.0005	1326 928	537.00	



1998720

1998501

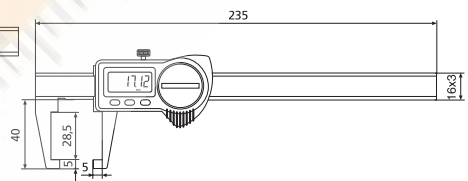
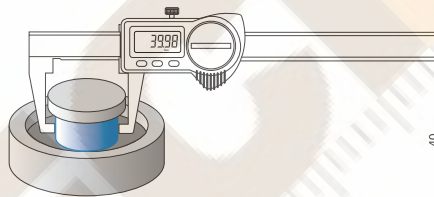
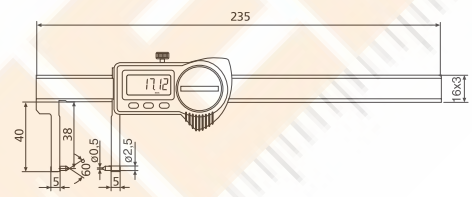
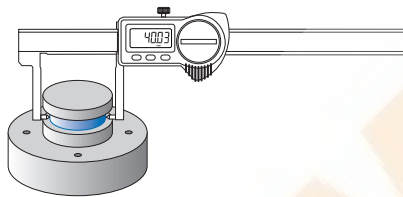
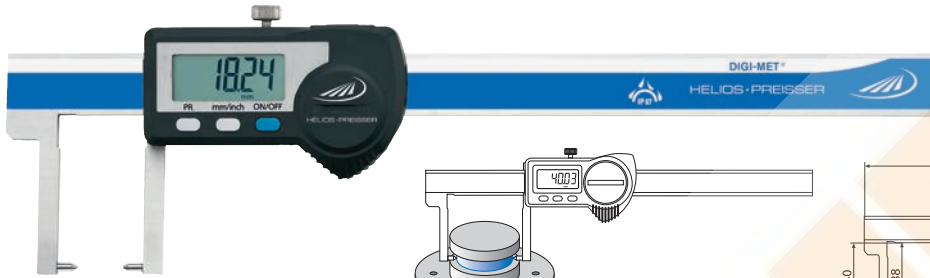
1997501

Accessories

	Order no.	List price EUR
Data cable DATA VARIABLE to RS232	1997 501	57.00
Data cable DATA VARIABLE to digimatic	1998 501	73.00
Data cable DATA VARIABLE to USB	1998 720	82.00



1326 DIGI-MET® Pocket calipers for specific measuring tasks



Model

- Protection class IP67
- Stainless steel
- LCD display 7.5 mm
- Factory standard
- Measuring system is insensitive to cooling agents and dust
- Housing and operating keys have an excellent chemical resistance
- Inside cross points
- Locking screw

Functions

- ON / OFF
- Quick-Start
- Quick-Lock (key lock)
- Set to zero at any point
- mm / inch switching
- PRESET-Function (setting a numerical value)
- Variable data output RS 232 + Digimatic + USB

Delivery

- Plastic case

Measuring range	Measuring range		Jaw length		Reading		Order no.	List price EUR
	mm	inch	mm	inch	mm	inch		
Measuring tips angled inwards								
0 - 140	0 - 5,5	40	1.6	0.01	.0005	1326 904	646.00	
Measuring jaws angled inwards								
0 - 150	0 - 6	40	1.6	0.01	.0005	1326 908	552.00	

Accessories



1998720

1997501

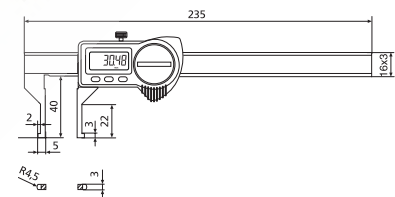
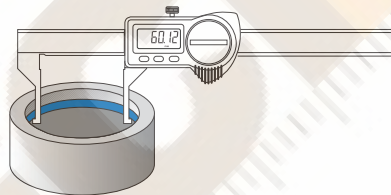
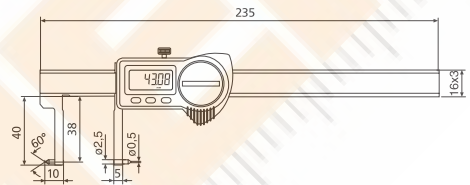
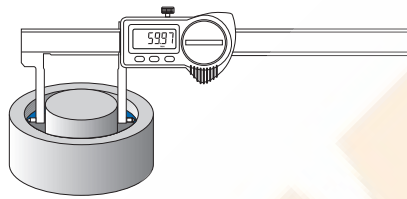
1998501

Accessories	Order no.	List price EUR
data cable DATA VARIABLE to RS232	1997 501	57.00
data cable DATA VARIABLE to digimatic	1998 501	73.00
data cable DATA VARIABLE to USB	1998 720	82.00



HELIOS · PREISSER

1326 DIGI-MET® Pocket calipers for specific measuring tasks



Model

- Protection class IP67
- Stainless steel
- LCD display 7.5 mm
- Factory standard
- Measuring system is insensitive to cooling agents and dust

- Housing and operating keys have an excellent chemical resistance
- Inside cross points
- Locking screw

Functions

- ON / OFF
- Quick-Start
- Quick-Lock (key lock)
- Set to zero at any point
- mm / inch switching
- PRESET-Function (setting a numerical value)
- Variable data output RS 232 + Digimatic + USB

Delivery

- Plastic case

	Measuring range		Jaw length		Reading		Order no.	List price EUR
	mm	inch	mm	inch	mm	inch		
Measuring tips angled outwards								
	20 - 170	0.8 - 6.7	40	1.6	0.01	.0005	1326 906	641.00
Measuring jaws angled outwards								
	10 - 160	0.4 - 6.7	40	1.6	0.01	.0005	1326 910	634.00

Accessories



1998720 1997501 1998501

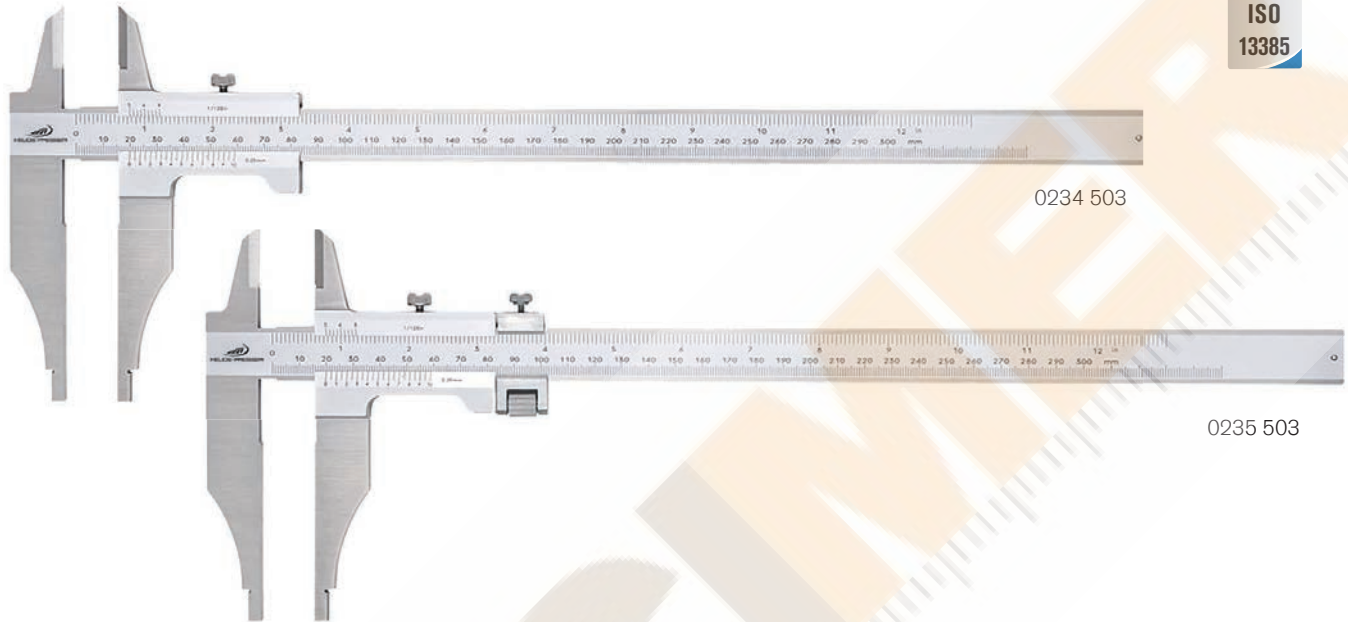
	Order no.	List price EUR
Data cable DATA VARIABLE to RS232	1997 501	57.00
Data cable DATA VARIABLE to digimatic	1998 501	73.00
Data cable DATA VARIABLE to USB	1998 720	82.00



0234 / 0235 Workshop calipers



ISO
13385



Model

- Stainless steel
- Vernier and reading parts have a satin chrome finish
- ISO 13385
- Factory standard from 1500 mm measuring range
- Locking screw
- Knife points
- Stepped jaws for inside measurement: 10 mm, 20 mm* and 30 mm**
- Low-set master scale
- High-precision laser graduation on vernier and scale

Delivery

- 300 mm Measuring range in plastic case
- From 500 mm measuring range in carton

Icon	Measuring range		Jaw length		Reading		Error limit	Order no.	List price
	mm	inch	mm	inch	mm	inch			
Without fine adjustment									
▪	0 - 300	0 - 12	90	3.5	0.05	1/128	0.05	0234 503	185.00
▪	0 - 500	0 - 20	150	6.0	0.05		0.07	0234 508*	552.00
▪	0 - 800	0 - 31	150	6.0	0.05		0.1	0234 514*	708.00
▪	0 - 1000	0 - 39	150	6.0	0.05		0.12	0234 518*	850.00
▪	0 - 1500	0 - 59	200	8.0	0.05		0.18	0234 524**	1787.00
▪	0 - 2000	0 - 79	200	8.0	0.05		0.22	0234 526**	2616.00
With fine adjustment									
▪	0 - 300	0 - 12	90	3.5	0.05	1/128	0.05	0235 503	214.00
▪	0 - 500	0 - 20	150	6.0	0.05		0.07	0235 508*	596.00
▪	0 - 800	0 - 31	150	6.0	0.05		0.1	0235 514*	780.00
▪	0 - 1000	0 - 39	150	6.0	0.05		0.12	0235 518*	921.00
▪	0 - 1500	0 - 59	200	8.0	0.05		0.18	0235 524**	1895.00

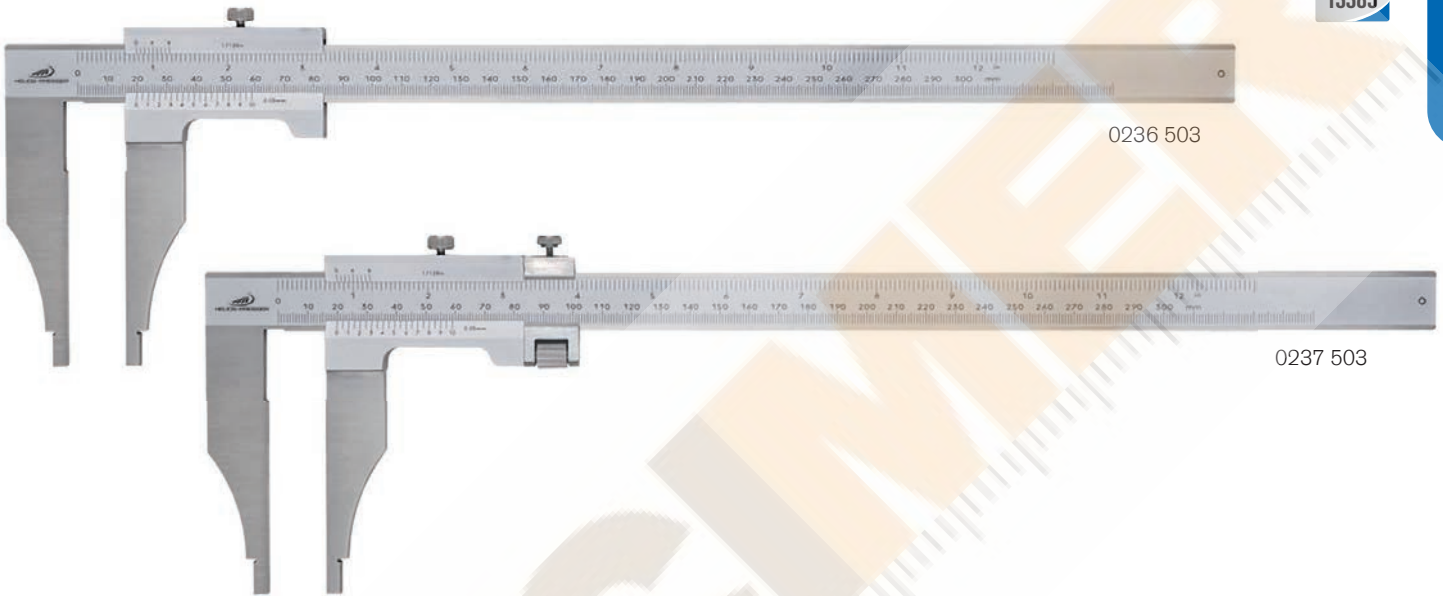


0236 / 0237 Workshop calipers



ISO
13385

1



Model

- Stainless steel
- Vernier and reading parts have a satin chrome finish
- ISO 13385
- Factory standard from 1500 mm measuring range
- Locking screw
- Fine adjustment
- Low-set master scale
- Stepped jaws for inside measurement: 10 mm, 20 mm*, 30 mm** and 50 mm
- High-precision laser graduation on vernier and scale

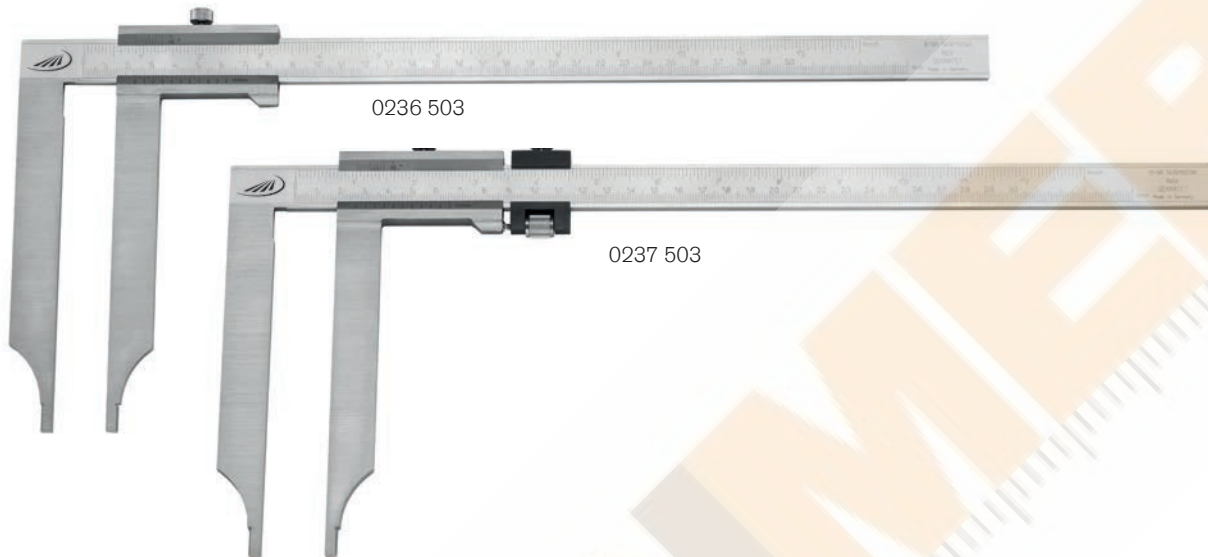
Delivery

- 300 mm Measuring range in plastic case
- From 500 mm measuring range in carton

Icon	Measuring range		Jaw length		Reading		Error limit	Order no.	List price	
	mm	inch	mm	inch	mm	inch				
Without fine adjustment										
▪	0 - 300	0 - 12	90	3.5	0.05	1/128	0.05	0236 503	165.00	
▪	0 - 500	0 - 20	150	6.0	0.05		0.07	0236 508*	459.00	
▪	0 - 800	0 - 31	150	6.0	0.05		0.1	0236 514*	569.00	
▪	0 - 1000	0 - 39	150	6.0	0.05		0.12	0236 518**	709.00	
With fine adjustment										
▪	0 - 300	0 - 12	90	3.5	0.05	1/128	0.05	0237 503	197.00	
▪	0 - 500	0 - 20	150	6.0	0.05		0.07	0237 508*	516.00	
▪	0 - 800	0 - 31	150	6.0	0.05		0.1	0237 514*	640.00	
▪	0 - 1000	0 - 39	150	6.0	0.05		0.12	0237 518*	782.00	
▪	0 - 1500	0 - 59	200	8.0	0.05		0.18	0237 524**	1673.00	
▪	0 - 2000	0 - 79	200	8.0	0.05		0.22	0237 526**	2535.00	



0236 / 0237 Workshop calipers with long measuring jaws



Model

- Stainless steel
- Vernier and reading parts have a satin chrome finish
- Factory standard
- Locking screw
- Low-set master scale
- Stepped jaws for inside measurement: 10 mm, 20 mm*, 30 mm** and 50 mm
- High-precision laser graduation on vernier and scale

Delivery

- Carton

	Measuring range		Jaw length		Reading		Error limit mm	Order no.	List price EUR
	mm	inch	mm	inch	mm	inch			
Without fine adjustment									
	0 - 300	12	150	6.0	0.05	1/128	0.1	0236 504	291.00
	0 - 500	20	200	8.0	0.05		0.14	0236 509*	605.00
	0 - 500	20	300	12.0	0.05		0.14	0236 510*	722.00
	0 - 800	31	300	12.0	0.05		0.2	0236 516*	1121.00
	0 - 1000	39	300	12.0	0.05		0.24	0236 520*	1360.00
▪	0 - 1500	59	300	12.0	0.05		0.36	0236 525**	1907.00
▪	0 - 2000	79	300	12.0	0.05		0.44	0236 527**	2825.00
With fine adjustment									
	0 - 300	0 - 12	150	6.0	0.05	1/128	0.1	0237 504	319.00
	0 - 500	0 - 20	300	12.0	0.05		0.14	0237 510*	779.00
	0 - 800	0 - 31	300	12.0	0.05		0.2	0237 516*	1189.00
	0 - 1000	0 - 39	300	12.0	0.05		0.24	0237 520*	1431.00
	0 - 1000	0 - 39	500	20.0	0.05		0.24	0237 521**	1931.00
▪	0 - 1500	0 - 59	300	12.0	0.05		0.36	0237 525**	2020.00

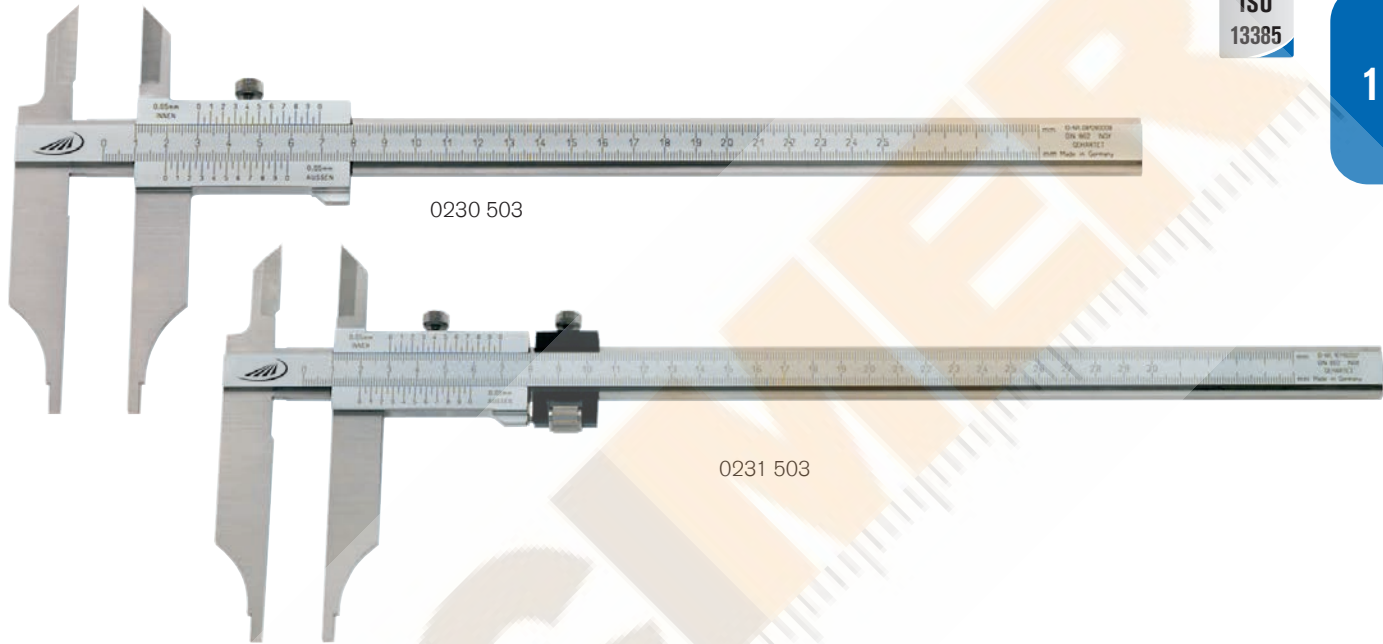


0230 / 0231 Workshop calipers with parallax-free reading



ISO
13385

1



Model

- **Parallax-free reading**
- Stainless steel
- Reading parts have a satin chrome finish
- ISO 13385
- Locking screw
- Knife points
- Stepped jaws for inside measurement: 10 mm, for measuring range 500 mm: 20 mm
- Direct reading of internal and external measurements
- High-precision laser graduation on vernier and scale

Delivery

- 300 mm Measuring range in plastic case
- From 500 mm measuring range in carton

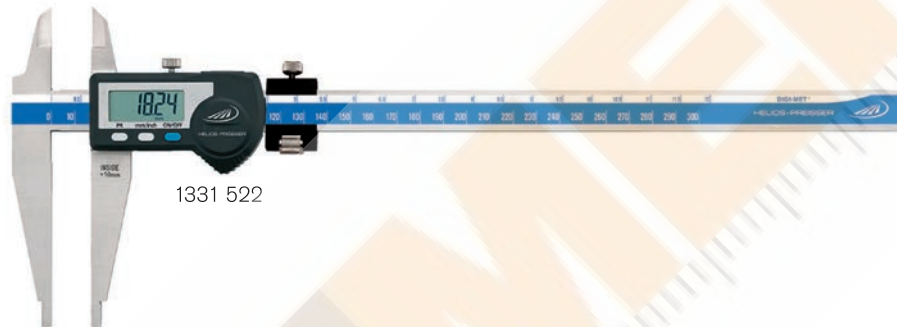
	Measuring range		Jaw length		Reading mm	Error limit mm	Order no.	List price EUR
	mm	inch	mm	inch				
Without fine adjustment								
▪	0 - 300	0 - 12	90	3.5	0.05	0.05	0230 503	201.00
▪	0 - 500	0 - 20	150	6.0	0.05	0.07	0230 508	575.00
With fine adjustment								
▪	0 - 300	0 - 12	90	3.5	0.05	0.05	0231 503	232.00
▪	0 - 500	0 - 20	150	6.0	0.05	0.07	0231 508	628.00



1330 / 1331 DIGI-MET® Workshop calipers



1330 522



1331 522

Model

- Stainless steel
- Inductive measuring system, resistant to damp and sweat
- Factory standard
- Knife points
- LCD display:
 - 10 mm with measuring range 300 mm;
 - 12.5 mm from measuring range 500 mm
- Locking screw

Functions

- ON / OFF
- **Quick-Start**
- **Quick-Lock** (key lock)
- Set to zero at any point
- mm / inch switching
- PRESET-Function (setting a numerical value)
- Variable data output RS 232 + Digimatic + USB

Delivery

- 300 mm Measuring range in plastic case
- From 500 mm measuring range in wooden case

☒	☒	Measuring range		Jaw length		Reading		Stepped jaws mm	Error limit mm	Order no.	List price EUR
		mm	inch	mm	inch	mm	inch				
With knife points, without fine adjustment											
▪		0 - 300	0 - 12	90	3.5	0.01	.0005	10	0.03	1330 522	449.00
▪		0 - 500	0 - 20	150	6.0	0.01	.0005	20	0.04	1330 528	685.00
▪		0 - 800	0 - 31	150	6.0	0.01	.0005	20	0.05	1330 532	1118.00
▪		0 - 1000	0 - 39	150	6.0	0.01	.0005	20	0.06	1330 534	1353.00
With knife points, with fine adjustment											
▪		0 - 300	0 - 12	90	3.5	0.01	.0005	10	0.03	1331 522	521.00
▪		0 - 500	0 - 20	150	6.0	0.01	.0005	20	0.04	1331 528	768.00
▪		0 - 800	0 - 31	150	6.0	0.01	.0005	20	0.05	1331 532	1183.00
▪		0 - 1000	0 - 39	150	6.0	0.01	.0005	20	0.06	1331 534	1360.00



1998720

1997501

1998501

Accessories

- Data cable DATA VARIABLE to USB
- Data cable DATA VARIABLE to RS232
- Data cable DATA VARIABLE to Digimatic

Order no.

- 1998 720
- 1997 501
- 1998 501

List price EUR

- 82.00
- 57.00
- 73.00



HELIOS · PREISSER

1340 / 1341 DIGI-MET® Workshop calipers IP65



Model

- Stainless steel
- Inductive measuring system, protection class IP65
- Factory standard
- Knife points
- LCD display:
 - 10 mm with measuring range 300 mm;
 - 12.5 mm from measuring range 500 mm
- Locking screw

Functions

- ON / OFF
- **Quick-Start**
- **Quick-Lock** (key lock)
- Set to zero at any point
- mm / inch switching
- PRESET-Function (setting a numerical value)
- Variable data output RS 232 + Digimatic + USB

Delivery

- 300 mm Measuring range in plastic case
- From 500 mm measuring range in wooden case

Icon	Measuring range		Jaw length		Reading		Stepped jaws	Error limit	Order no.	List price
	mm	inch	mm	inch	mm	inch				
With knife points, without fine adjustment										
▪	0 - 300	0 - 12	90	3.5	0.01	.0005	10	0.03	1340 522	486.00
▪	0 - 500	0 - 20	150	6.0	0.01	.0005	20	0.04	1340 528	927.00
▪	0 - 800	0 - 31	150	6.0	0.01	.0005	20	0.05	1340 532	1251.00
▪	0 - 1000	0 - 39	150	6.0	0.01	.0005	20	0.06	1340 534	1539.00
With knife points, with fine adjustment										
▪	0 - 300	0 - 12	90	3.5	0.01	.0005	10	0.03	1341 522	550.00
▪	0 - 500	0 - 20	150	6.0	0.01	.0005	20	0.04	1341 528	990.00
▪	0 - 800	0 - 31	150	6.0	0.01	.0005	20	0.05	1341 532	1313.00
▪	0 - 1000	0 - 39	150	6.0	0.01	.0005	20	0.06	1341 534	1601.00

Accessories



1998720 1997501 1998501

	Order no.	List price
Data cable DATA VARIABLE to USB	1998 720	82.00
Data cable DATA VARIABLE to RS232	1997 501	57.00
Data cable DATA VARIABLE to digimatic	1998 501	73.00



1334 / 1335 DIGI-MET® Workshop calipers



Model

- Stainless steel
- Inductive measuring system, resistant to damp and sweat
- Factory standard
- LCD display:
 - 10 mm with measuring range 300 mm;
 - 12.5 mm from measuring range 500 mm
- Locking screw

Functions

- ON / OFF
- **Quick-Start**
- **Quick-Lock** (key lock)
- Set to zero at any point
- mm / inch switching
- PRESET-Function (setting a numerical value)
- Variable data output RS 232 + Digimatic + USB

Delivery

- 300 mm Measuring range in plastic case
- From 500 mm measuring range in wooden case

▶	📏	Measuring range		Jaw length		Reading		Stepped jaws mm	Error limit mm	Order no.	List price EUR
		mm	inch	mm	inch	mm	inch				
Without fine adjustment											
▪		0 - 300	0 - 12	90	3.5	0.01	.0005	10	0.03	1334 522	416.00
▪		0 - 500	0 - 20	150	6.0	0.01	.0005	20	0.04	1334 528	584.00
▪		0 - 800	0 - 31	150	6.0	0.01	.0005	20	0.05	1334 532	1020.00
▪		0 - 1000	0 - 39	150	6.0	0.01	.0005	20	0.06	1334 534	1208.00
With fine adjustment											
▪		0 - 300	0 - 12	90	3.5	0.01	.0005	10	0.03	1335 522	476.00
▪		0 - 500	0 - 20	150	6.0	0.01	.0005	20	0.04	1335 528	672.00
▪		0 - 800	0 - 31	150	6.0	0.01	.0005	20	0.05	1335 532	1097.00
▪		0 - 1000	0 - 39	150	6.0	0.01	.0005	20	0.06	1335 534	1260.00



Accessories

- Data cable DATA VARIABLE to USB
- Data cable DATA VARIABLE to RS232
- Data cable DATA VARIABLE to Digimatic

Order no.

List price EUR

- 1998 720 82.00
- 1997 501 57.00
- 1998 501 73.00



HELIOS · PREISSER

1342 / 1343 DIGI-MET® Workshop calipers IP65



1

Model

- Stainless steel
- Inductive measuring system, protection class IP65
- Factory standard
- LCD display:
 - 10 mm with measuring range 300 mm;
 - 12.5 mm from measuring range 500 mm
- Locking screw

Functions

- ON / OFF
- **Quick-Start**
- **Quick-Lock** (key lock)
- Set to zero at any point
- mm / inch switching
- PRESET-Function (setting a numerical value)
- Variable data output RS 232 + Digimatic + USB

Delivery

- 300 mm Measuring range in plastic case
- From 500 mm measuring range in wooden case

Icon	Measuring range		Jaw length		Reading		Stepped jaws	Error limit	Order no.	List price
	mm	inch	mm	inch	mm	inch				
Without fine adjustment										
▪	0 - 300	0 - 12	90	3.5	0.01	.0005	10	0.03	1342 522	447.00
▪	0 - 500	0 - 20	150	6.0	0.01	.0005	20	0.04	1342 528	824.00
▪	0 - 800	0 - 31	150	6.0	0.01	.0005	20	0.05	1342 532	1141.00
▪	0 - 1000	0 - 39	150	6.0	0.01	.0005	20	0.06	1342 534	1419.00
With fine adjustment										
▪	0 - 300	0 - 12	90	3.5	0.01	.0005	10	0.03	1343 522	510.00
▪	0 - 500	0 - 20	150	6.0	0.01	.0005	20	0.04	1343 528	889.00
▪	0 - 800	0 - 31	150	6.0	0.01	.0005	20	0.05	1343 532	1204.00
▪	0 - 1000	0 - 39	150	6.0	0.01	.0005	20	0.06	1343 534	1481.00

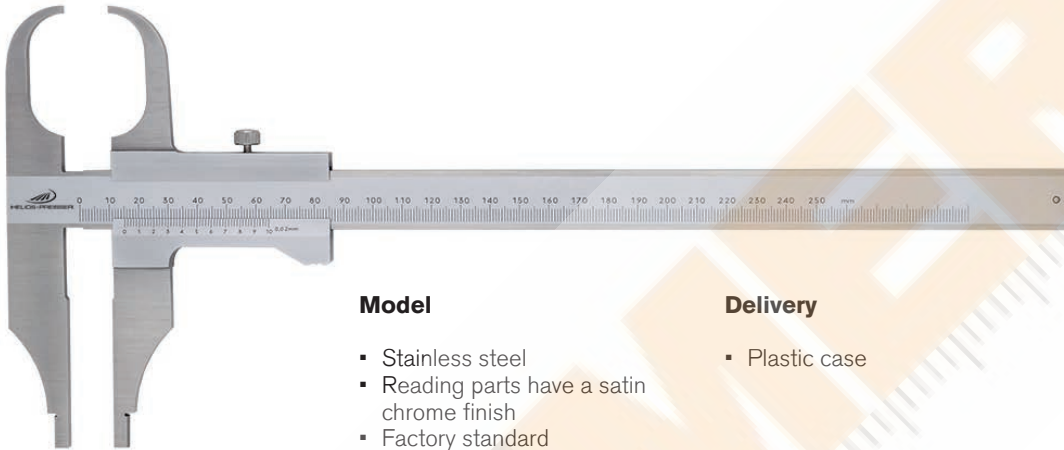


Accessories

	Order no.	List price
Data cable DATA VARIABLE to USB	1998 720	82.00
Data cable DATA VARIABLE to RS232	1997 501	57.00
Data cable DATA VARIABLE to digimatic	1998 501	73.00



0266 Caliper with gripper points



Model

- Stainless steel
- Reading parts have a satin chrome finish
- Factory standard
- Locking screw
- Gripper points length 55 mm

Delivery

- Plastic case

▶▶	Measuring range	Jaw length		Reading	Error limit	Order no.	List price
	mm	mm	inch	mm	mm		EUR
	0 - 250	75	3.0	0.02	0.03	0266 52005	408.00



HELIOS · PREISSER

1320 DIGI-MET® Pocket caliper with 40 mm inside cross points



1



Model

- Inductive measuring system, resistant to damp and sweat
- Stainless steel
- LCD display 7.5 mm
- ISO 13385
- Locking screw
- Inside cross points
- Four way measurement

Functions

- ON / OFF
- **Quick-Start**
- **Quick-Lock** (key lock)
- Set to zero at any point
- mm / inch switching
- Variable data output RS 232 + Digimatic + USB

Delivery

- Plastic case

▶	Measuring range		Jaw length		Reading		Error limit	Depth gauge	Order no.	List price
	mm	inch	mm	inch	mm	inch	mm	dia. mm		EUR
▪	0 - 150	0 - 6	40	1.6	0.01	.0005	0.03	round 1.5	1320 518	446.00

Accessories



1998720

1998501

1997501

Data cable DATA VARIABLE to USB

Order no.

List price
EUR

1998 720

82.00

Data cable DATA VARIABLE to RS232

1997 501

57.00

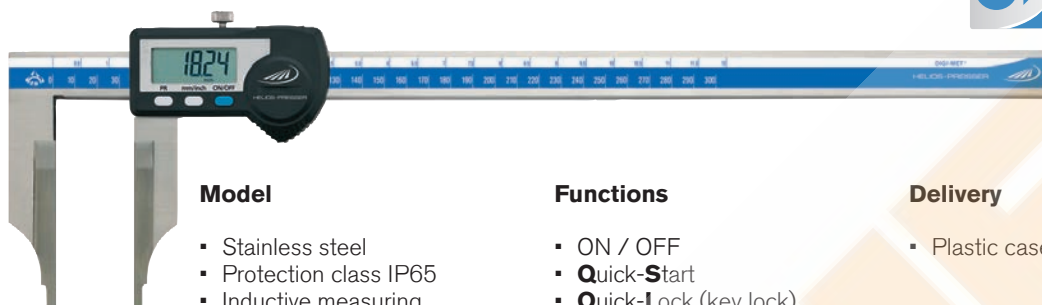
Data cable DATA VARIABLE to digimatic

1998 501

73.00



1353 DIGI-MET® Caliper for external locking grooves



Model

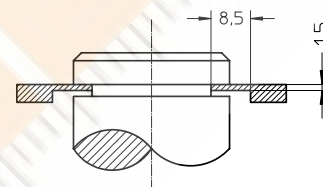
- Stainless steel
- Protection class IP65
- Inductive measuring system
- LCD display 10 mm
- Locking screw
- Factory standard

Functions

- ON / OFF
- **Quick-Start**
- **Quick-Lock** (key lock)
- Set to zero at any point
- mm / inch switching
- PRESET-Function (setting a numerical value)
- Variable data output RS 232 + Digimatic + USB

Delivery

- Plastic case

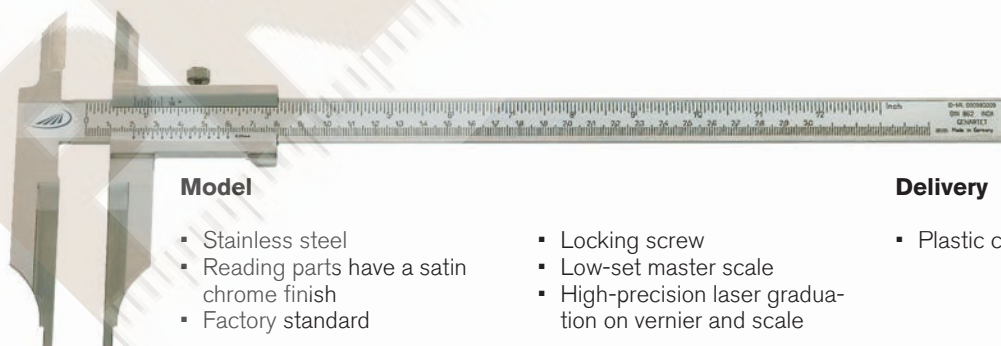


	Measuring range		Jaw length		Reading		Error limit	Order no.	List price
	mm	inch	mm	inch	mm	inch			
	0 - 300	0 - 12	90	3.5	0.01	.0005	0.03	1353 522	554.00

Accessories

	Order no.	List price
Data cable DATA VARIABLE to RS232	1997 501	57.00
Data cable DATA VARIABLE to digimatic	1998 501	73.00
Data cable DATA VARIABLE to USB	1998 720	82.00

0262 Caliper for external locking grooves



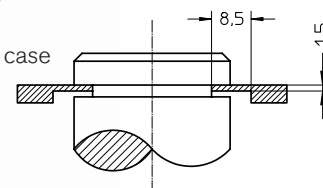
Model

- Stainless steel
- Reading parts have a satin chrome finish
- Factory standard

- Locking screw
- Low-set master scale
- High-precision laser graduation on vernier and scale

Delivery

- Plastic case



	Measuring range		Jaw length		Reading		Error limit	Order no.	List price
	mm	inch	mm	inch	mm	inch			
	0 - 300	0 - 12	90	3.5	0.05	1/128	0.03	0262 503	306.00



HELIOS · PREISSER

1352 DIGI-MET® Calipers for internal grooves



1

Model

- Stainless steel
- LCD display 7.5 mm
- Factory standard
- Locking screw
- IP67: up to 200 mm
- IP65: from 300 mm

Functions

- ON / OFF
- **Quick-Start**
- **Quick-Lock** (key lock)
- Set to zero at any point
- mm / inch switching
- PRESET-Function (setting a numerical value)

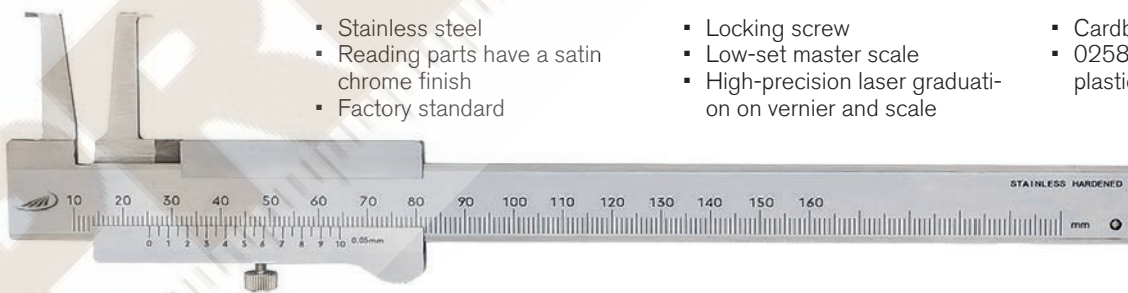
Delivery

- Plastic case

- Variable data output RS 232 + Digimatic + USB
- Setting ring sold separately

Measuring range	Jaw length		Reading		Error limit	Order no.	List price
	mm	mm / inch	mm	inch			
10 - 160	25	1.0	0.01	.0005	0.06	1352 516	438.00
20 - 160	40	1.5	0.01	.0005	0.06	1352 517	493.00
26 - 200	60	2.3	0.01	.0005	0.06	1352 518	902.00
35 - 300	100	3.9	0.01	.0005	0.06	1352 522	1059.00

0258 Calipers for internal grooves



Model

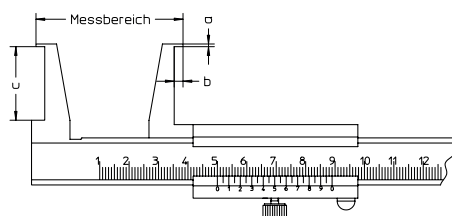
- Stainless steel
- Reading parts have a satin chrome finish
- Factory standard

Delivery

- Locking screw
- Low-set master scale
- High-precision laser graduation on vernier and scale
- Cardboard box
- 0258503 in plastic case

Measuring range	Jaw length		Reading	Error limit	Order no.	List price
	mm	mm / inch				
10 - 160	25	1.0	0.05	0.1	0258 501	163.00
20 - 160	40	1.5	0.05	0.1	0258 502	217.00
26 - 200	60	2.3	0.05	0.1	0258 503	333.00

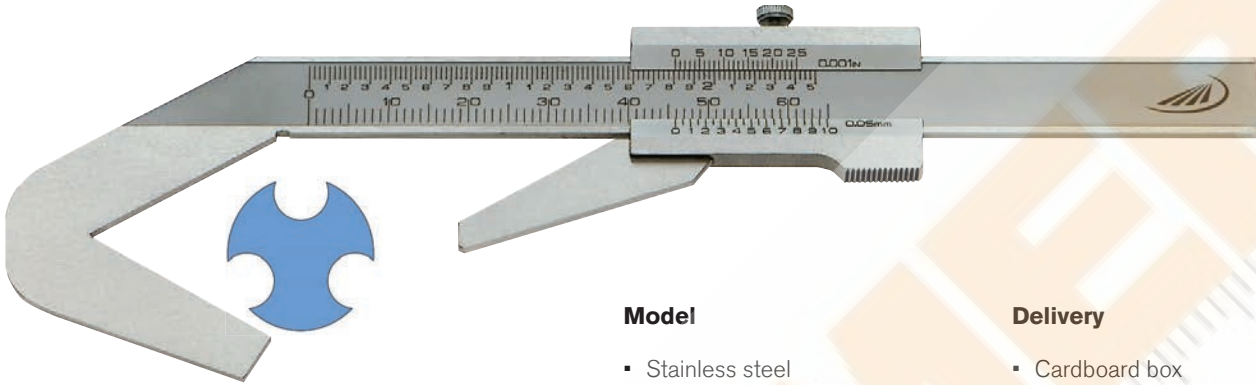
Dimensions of 0258 and 1352



Measuring range mm	a	b	c
10 - 160	0.9	3.0	25
20 - 160	2.0	5.0	40
26 - 200	3.0	7.0	60
35 - 300	5.0	10.0	100



0260 Calipers for 3/5 point measurement



Model

- Stainless steel
- Reading parts have a satin chrome finish
- Locking screw
- Factory standard

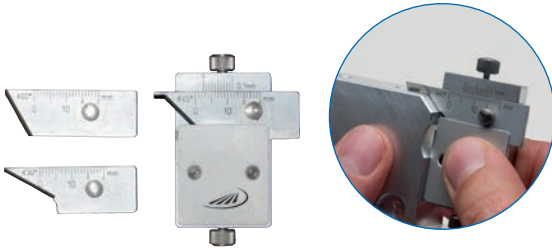
Delivery

- Cardboard box

Marked	Measuring range	Reading		Error limit	Order no.	List price
		mm	mm inch			
	3 point measurement					
	4 - 40	0.05	1/128	0.05	0260 501	84.00
	5 point measurement					
	2 - 40	0.05	1/128	0.05	0260 502	84.00



0597 Chamfer gauge



Model

- Stainless steel
- Reading 0.1 mm
- Reading parts have a satin chrome finish
- For simultaneously testing of the chamfer angle and the dimensional accuracy
- Dimensions: 48 x 30 x 8.5 mm

Delivery

- 3 interchangeable blades: 30°, 45°, 60°
- Plastic case

Icon	Measuring range	Reading	Order no.	List price
☒	mm	mm		EUR
	0 - 10	0.10	0597 301	198.00

0597 Radius gauge



Model

- To determine radius size workpieces
- Stainless steel
- Reading parts are satin chrome finished

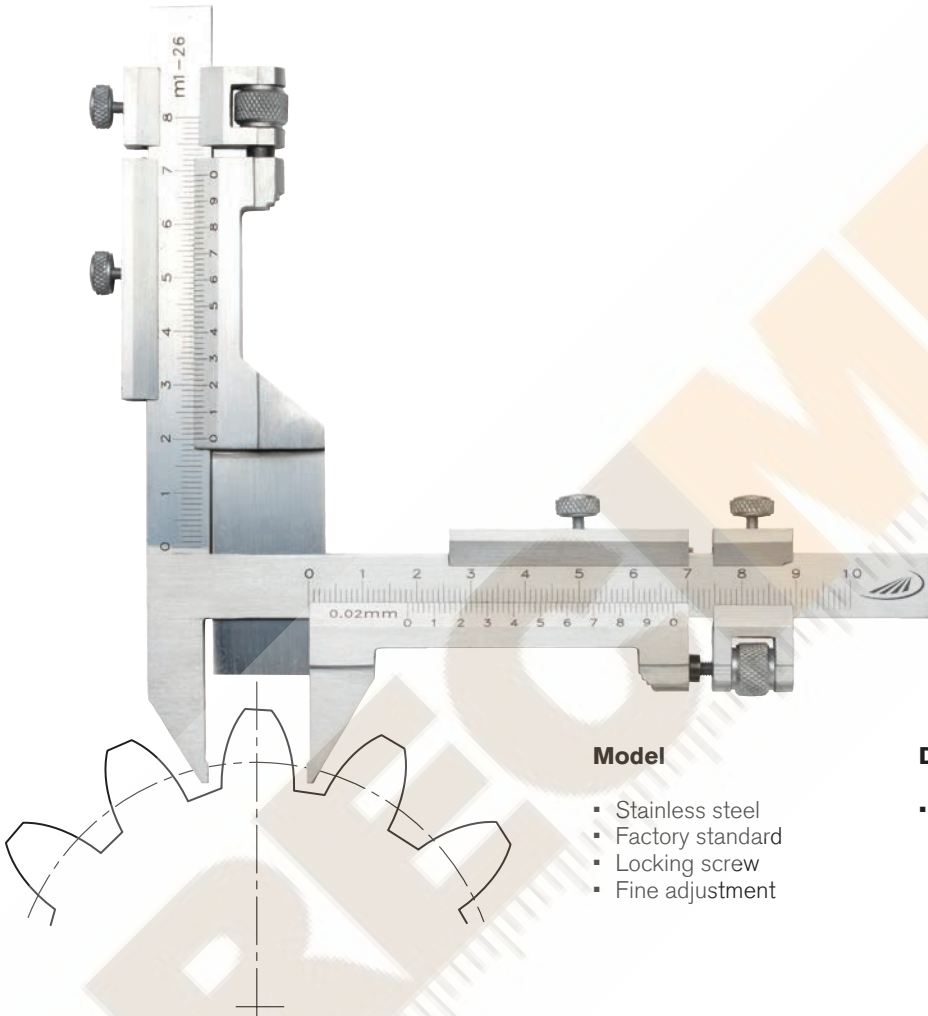
Delivery

- Plastic case

Icon	Measuring range	Reading	Order no.	List price
☒	mm	mm		EUR
	0 - 10	0.10	0597 305	198.00



0268 Gear tooth calipers





Model

- Stainless steel
- Factory standard
- Locking screw
- Fine adjustment

Delivery

- Wooden case

 	Module	Reading mm	Error limit mm	Order no.	List price EUR
Hardened jaw tips	1 - 26	0.02	0.1	0268 201	348.00
Carbide tipped jaw tips	1 - 26	0.02	0.1	0268 211	424.00



0281 Vernier depth gauges



ISO
13385

1



0281 505

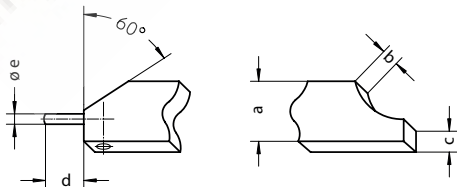
Model

- Stainless steel
- Reading parts have a satin chrome finish
- ISO 13385
- Low-set master scale
- Locking screw
- Measuring rod with interchangeable pin
- Double sided scale
- High-precision laser graduation on vernier and scale

Delivery

- Plastic case

Icon	Measuring range	Length of beam	Reading	Error limit	Order no.	List price
	mm	mm	mm	mm		EUR
▪	0 - 150	100	0.05	0.05	0281 501	101.00
▪	0 - 200	100	0.05	0.05	0281 502	104.00
▪	0 - 300	150	0.05	0.05	0281 505	130.00



Measuring range mm	a	b	c	d	e
150 - 200	8.0	3.0	3.5	8.0	1.5
300	12.0	4.0	4.0	8.0	2.0



0282 Vernier depth gauges



ISO
13385



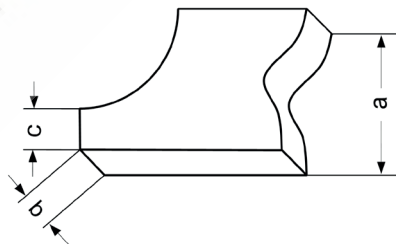
Model

- ISO 13385
- Locking screw
- Straight measuring rod
- Low-set master scale
- High-precision laser graduation on vernier and scale

Delivery

- Plastic case

✕	Measuring range mm	Length of beam mm	Reading mm	Error limit mm	Order no.	List price EUR
Stainless steel, vernier + scale satin chrome finished						
▪	0 - 150	100	0.05	0.05	0282 501	88.00
▪	0 - 200	100	0.05	0.05	0282 502	93.00
▪	0 - 300	100	0.05	0.05	0282 503	105.00
▪	0 - 300	150	0.05	0.05	0282 505	112.00
▪	0 - 500	150	0.05	0.07	0282 507	172.00
▪	0 - 500	250	0.05	0.07	0282 508	262.00
▪	0 - 800	250	0.05	0.10	0282 509	437.00
▪	0 - 1000	250	0.05	0.12	0282 510	618.00



Measuring range mm	a	b	c
150 - 200	8.0	3.0	3.5
250 - 500	12.0	4.0	4.0
500 - 1000	20.0	5.0	10.0

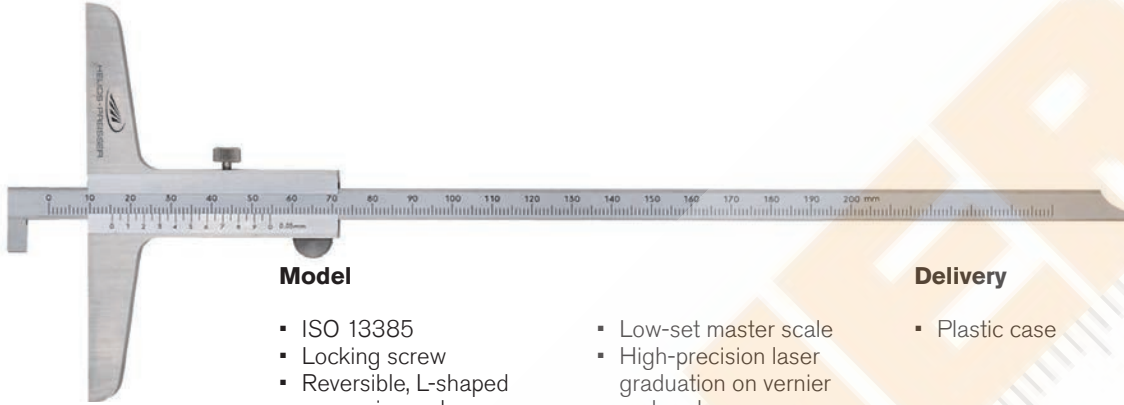


0286 Vernier depth gauges



ISO
13385

1



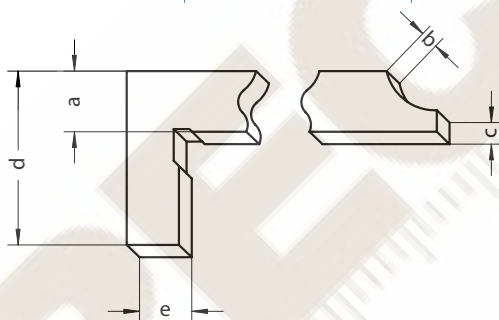
Model

- ISO 13385
- Locking screw
- Reversible, L-shaped measuring rod
- Scales on both sides

Delivery

- Plastic case

Measuring range mm	Length of beam mm	Reading mm	Error limit mm	Order no.	List price EUR
Stainless steel, vernier + scale satin chrome finished					
0 - 150	100	0.05	0.05	0286 501	105.00
0 - 200	100	0.05	0.05	0286 502	106.00
0 - 300	150	0.05	0.05	0286 505	130.00
0 - 500	150	0.05	0.07	0286 507	208.00



Measuring range mm	a	b	c	d	e
150 - 200	8,0	3,0	3,5	20,0	5,0
250 - 500	12,0	4,0	4,0	28,0	10,0

0292 Offset vernier depth gauges



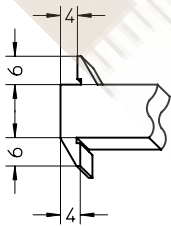
Model

- Stainless steel
- Reading parts have a satin chrome finish
- Factory standard
- Locking screw
- Reversible, offset meas. rod

Delivery

- Plastic case

Measuring range mm	Length of beam mm	Reading mm	Error limit mm	Order no.	List price EUR
0 - 200	100	0,05	0,05	0292 501	100.00
0 - 300	100	0,05	0,05	0292 502	113.00





1361 DIGI-MET® Depth gauges



Model

- Stainless steel
- Protection class IP67
- LCD display 7,5 mm
- ISO 13385
- Locking screw
- Straight measuring rod

Functions

- ON / OFF
- **Quick-Start**
- **Quick-Lock** (key lock)
- Set to zero at any point
- mm / inch switchin
- Variable data output RS 232 + Digimatic + USB

Delivery

- Plastic case
- From 500 mm measuring range in wooden case
- Screw-on extended measuring bridges must be ordered separately (page 53)

Marked *	Measuring range	Length of beam		Reading		Error limit	Order no.	List price
		mm	inch	mm	inch			
▪	0 - 150	0 - 6	100	0.01	.0005	0.03	1361 716	371.00
▪	0 - 200	0 - 8	100	0.01	.0005	0.03	1361 718	421.00
▪	0 - 300	0 - 12	150	0.01	.0005	0.04	1361 722	473.00
▪	0 - 500	0 - 20	150	0.01	.0005	0.05	1361 728	543.00



1998720

1997501

1998501

Accessories

Accessories	Order no.	List price
Data cable DATA VARIABLE to RS232	1997 501	57.00
Data cable DATA VARIABLE to digimatic	1998 501	73.00
Data cable DATA VARIABLE to USB	1998 720	82.00



1363 DIGI-MET® Depth gauges



1

Model

- Stainless steel
- Protection class IP67
- LCD display 7.5 mm
- ISO 13385
- Locking screw
- L-shaped measuring rod

Functions

- ON / OFF
- Set to zero at any point
- mm / inch switching
- **Quick-Start**
- **Quick-Lock** (key lock)
- PRESET-Function (setting a numerical value)
- Variable data output RS 232 + Digimatic + USB

Delivery

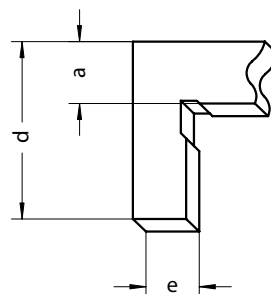
- 300 mm measuring range in plastic case
- 500 mm measuring range in wooden case
- Screw-on extended measuring bridges must be ordered separately (page 53)

▣	Measuring range		Length of beam	Reading		Error limit	Order no.	List price
	mm	inch	mm	mm	inch	mm		EUR
▪	0 - 300	0 - 12	150	0.01	.0005	0.03	1363 722	484.00
▪	0 - 500	0 - 20	150	0.01	.0005	0.04	1363 728	563.00

Accessories



	Order no.	List price
Data cable DATA VARIABLE to RS232	1997 501	57.00
Data cable DATA VARIABLE to digimatic	1998 501	73.00
Data cable DATA VARIABLE to USB	1998 720	82.00



Measuring range mm	a	e	d
300	11.6	10	28
500	11.6	10	28



1365 DIGI-MET® Depth gauges



Model

- Stainless steel
- Protection class IP67
- LCD display 7.5 mm
- ISO 13385
- Locking screw
- Replaceable pin

Functions

- ON / OFF
- **Quick-Start**
- **Quick-Lock** (key lock)
- Set to zero at any point
- mm / inch switching
- Variable data output RS 232 + Digimatic + USB

Delivery

- Plastic case
- Screw-on extended measuring bridges must be ordered separately (page 53)

Marked	Measuring range	Length of beam		Reading		Error limit	Order no.	List price
		mm	inch	mm	inch			
▪	0 - 200	0 - 8	100	0.01	.0005	0.03	1365 722	458.00
▪	0 - 300	0 - 12	150	0.01	.0005	0.04	1365 728	510.00

Accessories



1998720

1997501

1998501

Data cable DATA VARIABLE to RS232

Order no.

List price

EUR

Data cable DATA VARIABLE to digimatic

1997 501

57.00

Data cable DATA VARIABLE to USB

1998 501

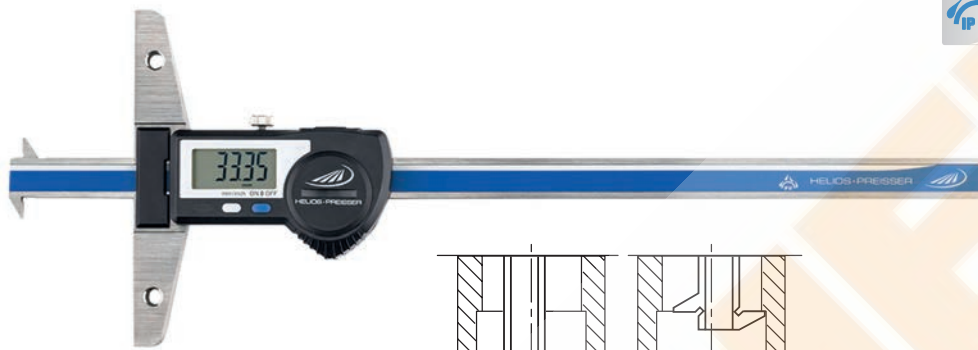
73.00

1998 720

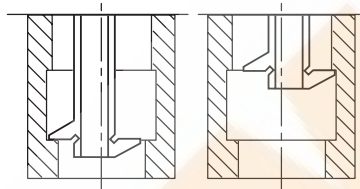
82.00



1367 DIGI-MET® Offset depth gauges



1



Model

- Stainless steel
- Inductive measuring system, protection class IP67
- LCD display 7.5 mm
- Factory standard
- Housing and operating keys have an excellent chemical resistance
- Locking screw

Functions

- ON / OFF
- **Quick-Start**
- **Quick-Lock** (key lock)
- Set to zero at any point
- mm / inch switching
- Variable data output RS 232 + Digimatic + USB

Delivery

- Up to 300 mm measuring range in plastic case
- From 500 mm measuring range in wooden case
- Screw-on extended measuring bridges must be ordered separately (page 53)

Icon	Measuring range		Length of beam	Reading		Error limit	Order no.	List price
	mm	inch		mm	inch			
▪	0 - 200	0 - 8	100	0.01	.0005	0.03	1367 718	476.00
▪	0 - 300	0 - 12	150	0.01	.0005	0.03	1367 722	575.00
▪	0 - 500	0 - 20	150	0.01	.0005	0.03	1367 728	724.00



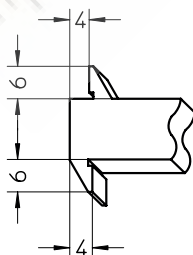
1998720

1997501

1998501

Accessories

	Order no.	List price
Data cable DATA VARIABLE to RS232	1997 501	57.00
Data cable DATA VARIABLE to digimatic	1998 501	73.00
Data cable DATA VARIABLE to USB	1998 720	82.00





1372i DIGI-MET® Depth gauges IP67 with integrated wireless



1372 41660

integrated IW wireless

Wireless Data Transmission

Model

- Stainless steel
- Inductive measuring system, protection class IP67
- ISO 13385
- Locking screw
- LCD display 11 mm
- Measuring pin dia. 1.5 mm

Functions

- ON / OFF
- **Quick-Start**
- **Quick-Lock** (key lock)
- **PRESET-Function** (setting a numerical value)
- Set to zero at any point
- mm / inch switching
- Integrated Wireless

Delivery

- Plastic case
- Screw-on extended measuring bridges must be ordered separately (page 53)



More information on our i-series and Integrated Wireless on page 224

Marked *	Marked *	Measuring range		Length of beam	Reading		Error limit	Order no.	List price
		mm	inch	mm	mm	inch	mm		EUR
▪		0 - 150	0 - 6	100	0.01	.0005	0.03	1372 41660	487.00
▪		0 - 200	0 - 8	100	0.01	.0005	0.03	1372 41860	518.00
▪		0 - 300	0 - 12	150	0.01	.0005	0.04	1372 42260	582.00
▪		0 - 500	0 - 20	150	0.01	.0005	0.05	1372 42860	660.00



1998780

Accessories

i-Stick USB-receiver for Integrated Wireless

Order no.

1998 780

List price

EUR

108.00

Integrated Wireless is intended to be sold within the European Economic Area only



1372 DIGI-MET® Depth gauges IP67



1372 416

Model

- Stainless steel
- Inductive measuring system, protection class IP67
- ISO 13385
- Locking screw
- LCD display 11 mm
- Measuring pin dia. 1.5 mm

Functions

- ON / OFF
- **Quick-Start**
- **Quick-Lock** (key lock)
- PRESET-Function (setting a numerical value)
- Set to zero at any point
- mm / inch switching

Delivery

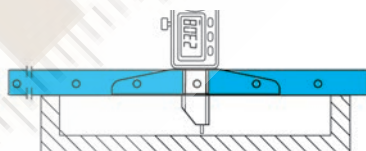
- Plastic case
- Screw-on extended measuring bridges must be ordered separately (page 53)

Icon	Measuring range		Length of beam	Reading		Error limit	Order no.	List price
	mm	inch		mm	inch			
▪	0 - 150	0 - 6	100	0.01	.0005	0.03	1372 416	438.00
▪	0 - 200	0 - 8	100	0.01	.0005	0.03	1372 418	481.00
▪	0 - 300	0 - 12	150	0.01	.0005	0.04	1372 422	536.00
▪	0 - 500	0 - 20	150	0.01	.0005	0.05	1372 428	617.00

1271 Extension depth attachment base



1271 451



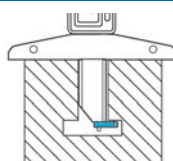
Icon	Measuring bridge length	Order no.	List price
	200	1271 451	101.00
	300	1271 452	117.00

1271 Measuring insert for distance measurements



Model

- To be attached to the measuring pin
- Ball dia. 4 mm



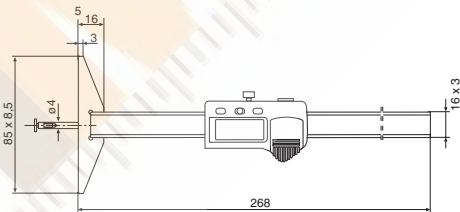
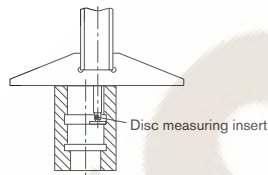
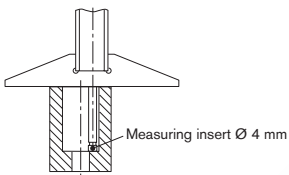
Icon	Order no.	List price
	1271 455	67.00



1376 DIGI-MET® Depth gauge



Example of use



Model

- Stainless steel
- Protection class IP67
- LCD display 7.5 mm
- Locking screw
- ISO 13385

Functions

- ON / OFF
- **Quick-Start**
- **Quick-Lock** (key lock)
- Set to zero at any point
- mm / inch switching
- Reversal of counting direction

- PRESET-Function (setting a numerical value)
- Variable data output RS 232 + Digimatic + USB

Delivery

- Plastic case
- Disc type insert Ø 7.5 x 1 mm
- Inserts Ø 4 mm, flat and spherical

Measuring range	Length of beam	Reading		Error limit	Order no.	List price
		mm	inch			
0 - 100	85	0.01	.0005	0.02	1376 514	583.00



1998720 1997501 1998501

Accessories

	Order no.	List price EUR
Disc type measuring insert Ø 7.5 x 1 mm	1276 591	21.20
Flat measuring insert Ø 4 mm	1276 592	20.30
Spherical measuring insert Ø 4 mm	1276 593	28.20
Data cable DATA VARIABLE to RS232	1997 501	57.00
Data cable DATA VARIABLE to digimatic	1998 501	73.00
Data cable DATA VARIABLE to USB	1998 720	82.00



HELIOS · PREISSER

1375 DIGI-MET® Small depth gauge



1

Model

- Beam made from stainless steel
- Aluminium body black anodized
- Protection class IP67
- LCD display 7.5 mm
- Factory standard
- Measuring pin \varnothing 2 mm

Functions

- ON / OFF
- **Quick-Start**
- **Quick-Lock** (key lock)
- Set to zero at any point
- PRESET-Function (setting a numerical value)
- mm / inch switching
- Variable data output RS 232 + Digimatic + USB

Delivery

- Case

Icon	Measuring range		Length of beam	Reading		Error limit	Order no.	List price
	mm	inch	mm	mm	inch	mm		EUR
	0 - 25	0 - 1	48	0.01	.0005	0.01	1375 502	281.00

Accessories



1998720 1997501 1998501

	Order no.	List price
		EUR
Data cable DATA VARIABLE to RS232	1997 501	57.00
Data cable DATA VARIABLE to digimatic	1998 501	73.00
Data cable DATA VARIABLE to USB	1998 720	82.00



0633 Steel gauge block inspection set for calipers




Model

- EN ISO 3650
- Special steel, hardened
- Tolerance class 1
- Supplied with: setting rings 4 mm and 25 mm

Delivery

- Wooden box

	For measuring range mm	Max. nominal size mm	Order no.	List price EUR
3 pieces	200	30.0 / 41.3 / 131.4	0633 833	635.00
4 pieces	300	30.0 / 41.3 / 131.4 / 243.5	0633 834	847.00
6 pieces	500	30.0 / 41.3 / 131.4 / 243.5 / 281.2 / 481.1	0633 836	1512.00
5 pieces	1000	131.4 / 243.5 / 281.2 / 481.1 / 900	0633 838	2673.00



0003 Wooden cases for calipers



0003 219



0003 231



0003 247

	Internal dimensions L x W x H mm	Order no.	List price EUR
With flat foam inlay			
	250 x 90 x 20	0003 219	8.70
	315 x 145 x 20	0003 220	10.40
	370 x 145 x 20	0003 221	13.10
	435 x 175 x 20	0003 222	18.10
	435 x 205 x 20	0003 223	20.20
	610 x 180 x 20	0003 224	30.50
	590 x 220 x 20	0003 225	39.60
	690 x 200 x 20	0003 228	53.00
	690 x 250 x 25	0003 229	54.00
	700 x 315 x 25	0003 230	56.00
	700 x 350 x 21	0003 231	57.00
	1000 x 270 x 25	0003 237	75.00
	1100 x 480 x 25	0003 241	97.00
	1200 x 220 x 25	0003 242	93.00
	1300 x 600 x 25	0003 247	153.00
▪	1800 x 310 x 25	0003 251	172.00
▪	1800 x 380 x 25	0003 252	186.00

Matching wooden boxes on request!