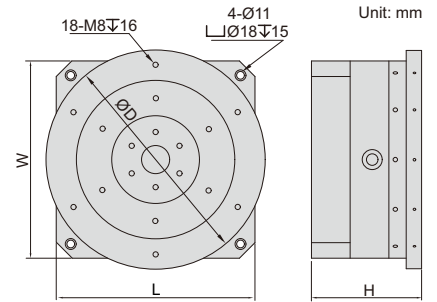


PRECISION AIR FLOATING ROTARY TABLES

air filter (included)



6875-320

- Manual rotation
- Optional accessory: high precision digital indicators (code 2133 series), hydraulic universal magnetic stands (code 6274 series)

| Code | Stage size ØD | Max. RPM | Air supply pressure | Max. load | Radial stiffness | Axial stiffness | Radial runout | Axial runout | L×W×H |
|----------|---------------|----------|---------------------|-----------|------------------|-----------------|---------------|--------------|---------------|
| 6875-320 | 320mm | 500rpm | 5-6bar | 100kg | 250N/µm | 500N/µm | <0.3µm | <0.3µm | 272x272x161mm |
| 6875-400 | 400mm | 500rpm | 5-6bar | 100kg | 250N/µm | 500N/µm | <0.3µm | <0.3µm | 272x272x161mm |
| 6875-500 | 500mm | 500rpm | 5-6bar | 100kg | 250N/µm | 500N/µm | <0.3µm | <0.3µm | 272x272x191mm |

Standard glass hemisphere (optional)

| Code | Roundness |
|------------|-----------|
| 6875-BALL* | 0.05µm |



6875-BALL

*To check the accuracy of rotary table

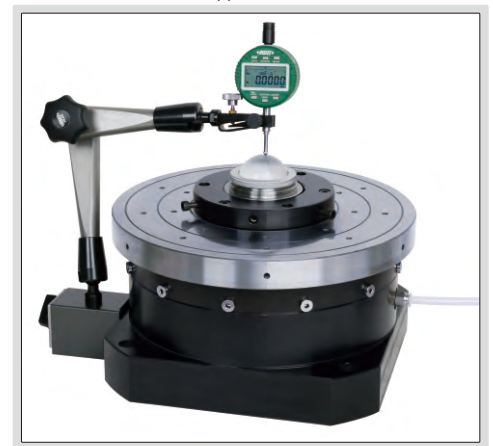
Clamp for glass hemisphere (optional)

| Code |
|------------|
| 6875-CLAMP |

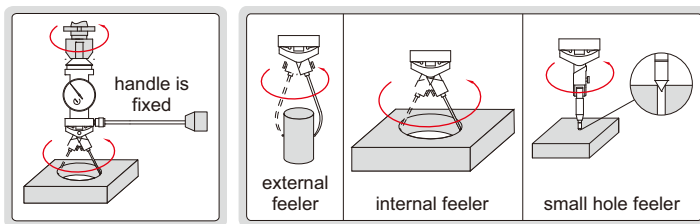


6875-CLAMP

application



CENTERING INDICATOR



2385-3

- Provides quick and accurate centering in boring and milling set-up
- Maximum speed is recommended not to exceed 800RPM

| Feeler | Measuring diameter | Accuracy |
|--------|--------------------|----------|
| P1 | Ø-60mm | 0.015mm |
| P2 | Ø-160mm | 0.02mm |
| P3 | Ø-250mm | 0.03mm |
| P4 | Ø3.2-80mm | 0.015mm |
| P5 | Ø3.2-180mm | 0.02mm |
| P6 | Ø3.2-280mm | 0.03mm |
| P7 | Ø-2.8mm | 0.015mm |

Code 2385-3

