

KILEWS® TORQUE METERS

KTM-100, KTM-10, KTM-50S, KTM-CSH



- The torque meters KTM-100 and KTM-10 are directly produced by the **manufacturer in** : Japan. By ODM. Each product will be provided with an Adjustment Certificate and one year Warranty in normal using. Take Note! These measuring instruments could not be applied in testing the pneumatic screwdriver products and prohibited in measuring the torque maximum measuring range of torque meters.

KTM-10, KTM-100

- LED can identify the test range of torque setting by needed user. If the result is not complying to torque range setting, light will be warned.
- USB 1.0 connector is only used for data output : it is convenient for user to work with computer
- Auto-zero can be selected and zero reset becomes unnecessary for user.
- Automatically test values about maximum, minimum and mean

Specifications

Model		KTM-100	KTM-10	KTM-50S	KTM-CSH
Measuring Rangs	(kgf.cm)	1.5~100.0	0.15~10.0	0.5~50.0	30.0~200.0
	(Lbf.in)	1.5~90.0	0.15~9.0	0.434~43.40	30.0~180.0
	(N.m)	0.15~10.00	0.015~1.0	0.04~4.90	3.00~20.00
Accuracy		With in ±0.5%			
Power Supply		1.2V VbatteryX5			
Charging Time		With in 8 hours			
Continuous Operation At Full Charge		About 30 hours			
Bettery		Rechargeable 300 times or more			
Dimension	mm	123X230X65(H)			180X130X34(H)
Weight	kg	2.0			2.0
Specail Charger		Input AC120V, 220~240V Output DC12V 500mA		Input AC120V, 220~240V Output DC7.5V 500mA	
Accessory		Torque measuring adaptorX2 SJ-10K / SJ-50	Torque measuring adaptorX2 SJ-3 / SJ-10	Torque measuring adaptorX1	

PRECIMER

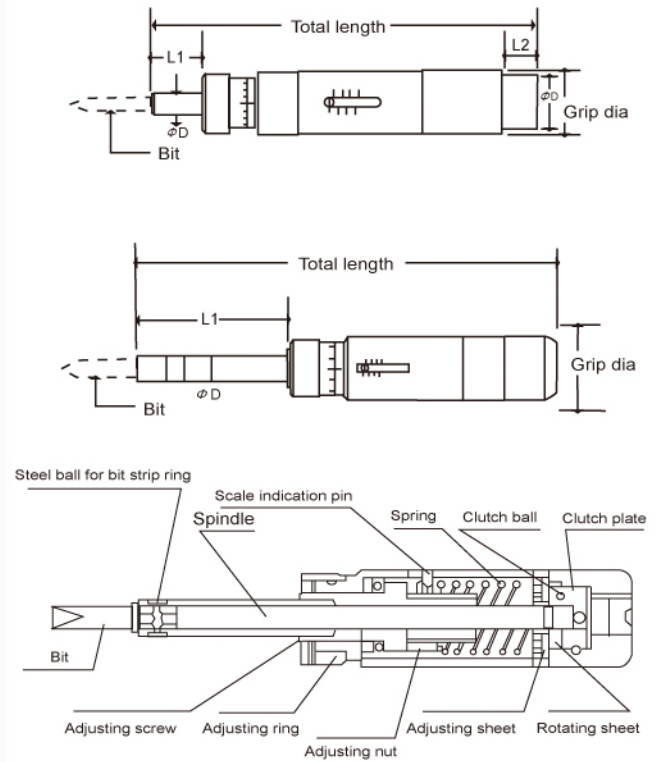
IDLY ROTATING TORQUE SCREWDRIVER



TD Series [TD-1.5K, TD-3K, TD-6K, TD-12K, TD-20K, TD-30K, TD-50K, TD-100K]

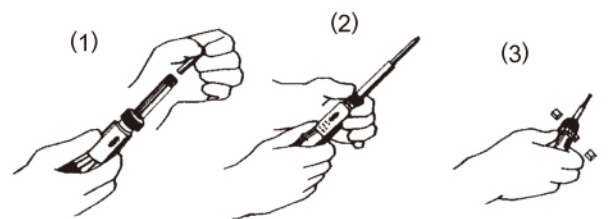


Screwdrivers Composition



The above picture is kgf.cm type

Screwdrivers Assembling Line



- (1) Select a bit to match screw.
- (2) Rotate the adjusting ring and set a torque.
- (3) Tighten the screw until idly rotated. Available for both left and right

Idly rotation prevents excessively tightening at the torque setting. Not fatigued with a long time use.

- Light and short, easy to operate, and favorable sound touch sensibility at idly rotation.
- Set up required torque value and tightened, everyone can tighten in the same way.
- When reaching specified torque, the clutch will be released automatically, and idly rotated, therefore this action prevents excessively tightening.
- (+) and (-) bit 1pc, respectively are attached.
- Various bits are prepared.
- Used for both left and right turns.
- Max. accuracy $\pm 3\%$ and 1 scale assured.

Specification

Model LTDK	Torque	Grad.	Grip Dia.	Total Length (without bit)	Main Size(mm)				Weight	Attachment Bit			
	kgf.cm				Φmm	mm	L1	L2		ΦD1	ΦD2	g	⊕
TD-1.5K	0.1~1.5	0.01	18	86	8.5	10	8	8	45	⊕	⊖	0.4X3.5	Original
TD-3K	0.2~3	0.02											
TD-6K	0.5~6	0.05	25	106	36	10	19	90	210	⊕	⊖	0.4X0.4	Common with marketed products
TD-12K	2~12	0.1	30	140	39.5	8.5	24	150					
TD-20K	4~20	0.1	34	150	60	10	10	215	215	⊕	⊖	1.0X7.0	
TD-30K	4~30	0.1											
TD-50K	10~50	0.25	40	200	73	11	11	440	790	⊕	⊖		
TD-100K	20~100	0.6	45	235	100								

KILEWS® SCREW FEEDER KFR-1050



Moderation, quickness and accuracy are the essential Performances required and improved by great ideas from most Users and dealers, in return KFR-1050 possess these talents And gives the most satisfactory status on operating and Distributing. For the best efficiency of this unit please peruse The manual closely before operating the unit.

Specifications

Model Name & Number	KFR-1050 Automatic Screw Feeder
Size	182(W)X126(L)X147(H) mm
Weight	N.W. : Approx 2.17 Kgs (excluding switching adaptor)
Power Source	AC 100~240V
Switching Adaptor	DC 15V Switching Adaptor
Applicable Screw	From M1.0 to M5.0
Applicable Screw length	Up to 19mm(under head)
Scooping Chamber Capacity	200~220 cc
Accessories (in package & box)	Allen Wrench (L Shaped 2.0 x 107 mm) X1 pc.
	Switching Adaptor x 1 Set.
	Accessory(front) (0.8 , 1.0 , 1.2 , 1.5 , 2.0 x 70 mm)X1 pc.
	Accessory(behind) (0.2 x 10 x 20 mm)X2 pcs (0.5 x 10 x 20 mm)X10 pcs.
	Stopper 2.0~5.0mm用X1 pc.
Package Size	Each Set/Box : 282(L)X142(W)X201(H)mm
	Each Set/Box : 450(L)X310(W)X435(H)mm
Package Weight (Including Machine)	Each Set/Box G.W : Approx 2.63 Kgs
	Each Carton G.W : Approx 16.53 Kgs(One Box=6 Sets)

Features

- **WIDEST RANGE OF APPLICABLE SCREW SIZES :**
Between 1.0~5.0mm (Incl.: 1.0mm, 1.2mm, 1.4mm, 1.7mm, 2.0mm, 2.3mm, 2.6mm, 3.0mm, 3.5mm, 4.0mm, & 5.0mm,) 11 sizes.
- **MAX OF SCREWS LENGTH & HOPPER CAPACITY :**
Screw Length: Up to 19mm (under screw head)
Capacity of hopper : 200~220 c.c
- **APPLICABILITY OF SPECIAL SCREW TYPES :**
Screw Length \geq Thread Diameter ($1 \geq 1$)
Thickness of screw head ≥ 0.2 mm
No jamming or failure occurred with these applicable types And affect productivity.
- **SIZE OF FEEDING RAIL IS ADJUSTABLE :**
Feeding rail can be pulled out for width adjusts to the applied Sizes easily. Measurements for width adjusting can be in Metric or Imperial units.
- **SAVE PARTS COSTS & STOCK :**
KFR-1050 allows adjusting the width of feeding rail to serve 11 sizes screws, between 1.0mm to 5.0 mm diameter. The flexibility prevents dealers from stocking up on quantities for different sizes, and reduces the cost on related accessories for users.
- **ADJUSTABLE VIBRATION INTENSITY :**
With vibration in small amplitude at high intensity, it moves screws On rail to pick-up point in good order, no overlay or jamming to Affect the speed of movement and productivity.
- **HUMANIZED MULTI PROGRAMMING CONTROL :**
*Individual drive system for tumbling and vibrating operation.
*Setting ideal interval timings freely with no function conflict or failure occurred.
*Equipped ground wire, socket & buzzer for operative safety and alarm signal.
*PCB controls for efficiencies of desired speed & timing on each operating step.
*Switching Adaptor allowed AC 100~240V power source for stable
DC 15V output No influences and problems due to the different AC power source of factories locations.



ACCESSORIES



KP, KL, Series [KP-AUXA, KP-AUX1T, KP-VAR, KP-VA1, KP-AUX2, KP-AUX5]
[KL-SS2, KL-SSB, KL-1, KL-2]



KP-AUXA, KP-AUX1T



Auxiliary Arm

KP-AUXA, KP-AUX1T

- Provide with the rocker arm , enable to revolve on 360 degrees.
- Main shaft can be extended to maximum 830mm
- Power arm inside includes nitrogen gas stick , allow user to grab the arm easily, automatic lift up to position after finishing the work .
- Easy to assemble and Disassemble.
- Optional accessory KP-VA1, KP-VAR(90 degree adapter) is available for user to Adjust angle in accordance with the object to be fastened.

KP-AUX2, KP-AUX5

- Main shaft can be extended to maximum 340mm
- Steady Bearing in horizontal direction for screwdriver to act in vertical precisely.
- Utilize KL-1200 to suspend the spring hoist vertically and capable of making adjustment at screwdriver's weight.
- Steady screwdriver with 4 sides of plate , the screwdriver head of horizontal and vertical position becomes more accurate.
- Apply to low torque , high precision screwdriver, most suitable for small objects.



KP-VAR, KP-VA1

Specifications

Model	KP-AUXA	KP-AUX1T	KP-AUX2	KP-AUX5
Description	Suspension Arm	Suspension Arm	Suspension Rope	Suspension Rope
Reach	50mm~830mm	50mm~830mm	50mm~340mm	50mm~340mm
Capacity	Max:4Kg	Max:3Kg	Max:2.5Kg	Max:2.5Kg
Applicable Models	SKD-RB50L/P SKD-RB75L/P SKD-RB100L/P SKD-RB150L/P	SK-8 Series SK-9 Series	SK-2000L SK-2200L SK-2300L	SKD-5200L/P SKD-5300L/P SKD-5300LF SKD-5300PF
Remark	KP-VAR adaptable	KP-VA1 adaptable	Spring Balancer KL-1200 adaptable	Spring Balancer KL-1200 adaptable



KP-AUX2



KL-SS2

KL-SSB

Slow Start Control Module

KL-SS2

- Be applied to Kilews DC Electric Screwdrivers series.
- Slow Start can be adjusted to 0~3 seconds.
- The speed of Slow Start can be adjusted to 30%~100% of normal one.
- Output signal for brake:24VDC,200mA.
- Bypass Switch can stop Slow Start and easy to reverse screws.
- Dimension 58X95X35mm(LXWXH)

KL-SSB

- The BYPASS system is able to cancel the slow motion operation when counter-clockwise rotation is detected.
- Easily losing the screws reversely.
- Rotation in the slow motion is 30%-100% comparing to regular rotation.
- Selection of adjusting stages: L1-L2-L3 ...L9-L0-L1.
- Supplying the output signals of start /break/rotation in clock or counter-clockwise.
- Applying to any non-carbon-brush serious of Kilews
- the operation of slow motion time can be adjusted to 0.1~5.0secs.
- Dimension 58X95X35mm(LXWXH)

	90° Degree Attachment Applicable Model
KL-1	SKD-B830L, SKD-B850L, SKD-7000L, SKD-7200L, SKD-7800L, SKD-8300L, SKD-8400L, SKD-8500L, SK-8130L, SK-8230L, SK-8140L, SK-8240L, SK-8150L, SK-8250L, SK-9131L, SK-9231L, SK-9130L, SK-9230L, SK-9140L, SK-9240L, SK-9150L, SK-9250L.
KL-2	SKD-5200L, SK-3220L, SK-3180L, SKD-B512L SKD-5300L, SK-3120L, SK-3280L, SKD-B519L

90° Degree Attachment



90° Degree Attachment KL-1

KL-2

※ Only "L" trigger start screwdrivers



Suspension Rack

	Applicable Models					
KH-1	SK-2125LS(&KC), SK-2135LS(&KC), SK-2145LS(&KC), SK-2125LSF(&KC), SK-2225LS(&KC), SK-2235LS(&KC), SK-2245LS(&KC), SK-2225LSF(&KC), SK-9131L/P(&KC), SK-9131LF/PF(&KC), SK-9231L/P(&KC), SK-9231LF/PF(&KC), SK-9130L/P(&KC), SK-9140L/P(&KC), SK-9150L/P(&KC), SK-9130LF/PF(&KC), SK-9140LF/PF(&KC), SK-9230L/P(&KC), SK-9240L/P(&KC), SK-9240LF/PF(&KC), SSK-9250L/P(&KC), SK-8130L/P(&KC), SK-8140L/P(&KC), SK-8150L/P(&KC), SK-8130LF/PF(&KC), SK-8140LF/PF(&KC), SK-8230L/P(&KC), SK-8240L/P(&KC), SK-8250L/P(&KC), SK-8230LF/PF(&KC), SK-8240LF/PF(&KC), SKD-7000L/P(&KC), SKD-7200L/P(&KC), SKD-7800L/P(&KC), SKD-7800LF/PF(&KC), SKD-8300L/P(&KC), SKD-8400L/P(&KC), SKD-8500L/P(&KC), SKD-8300LF/PF(&KC),	SK-2135LS(&KC), SK-2235LS(&KC), SK-9131LF/PF(&KC), SK-9140L/P(&KC), SK-9230L/P(&KC), SK-9240LF/PF(&KC), SK-8130L/P(&KC), SK-8130LF/PF(&KC), SK-8250L/P(&KC), SKD-7200L/P(&KC), SKD-8400L/P(&KC),	SK-2145LS(&KC), SK-2245LS(&KC), SK-9231L/P(&KC), SK-9150L/P(&KC), SK-9240L/P(&KC), SK-8130L/P(&KC), SK-8140LF/PF(&KC), SK-8230LF/PF(&KC), SKD-7800L/P(&KC), SKD-8500L/P(&KC),	SK-2125LSF(&KC), SK-2225LSF(&KC), SK-9231LF/PF(&KC), SK-9130LF/PF(&KC), SSK-9250L/P(&KC), SK-8140L/P(&KC), SK-8230L/P(&KC), SK-8240LF/PF(&KC), SKD-7800LF/PF(&KC), SKD-8300LF/PF(&KC),		
	KH-2	SKD-7000L/P(two color), SKD-7800LF/PF(two color), SK-3180LF/PF(two color &KC), SK-3280LF/PF(two color &KC), SKD-5300L/P(two color &KC), SKD-5300LF/PF(two color &KC), SKD-B512L/P(&KC),	SKD-7200L/P(two color), SK-3120L/P(two color &KC), SK-3220L/P(two color &KC), SKD-5200L/P(two color &KC), SKD-5300LF/PF(two color &KC), SKD-B519L/P(&KC),	SKD-7800L/P(two color), SK-3180L/P(two color &KC), SK-3180LF/P(two color &KC), SKD-B830L/P, SKD-B850L/P, SKD-B830LF/PF, SKD-BE830L/P, SKD-BE850L/P, SKD-BE830LF/PF, SKD-B512LF/PF(&KC),		
		KH-3	SK-2125LS, SK-2135LS, SK-2145LS, SK-2125LSF, SK-2225LS, SK-2235LS, SK-2245LS, SK-2225LSF, SK-3120L(one color), SK-3180L(one color), SK-3180LF(one color), SK-9130L/P, SK-9140L/P, SK-9150L/P, SK-9140LF/PF, SK-9130LF/PF, SK-9230L/P, SK-9240L/P, SK-9250L/P, SK-9230LF/PF, SK-9240LF/PF, SK-8130L/P, SK-8140L/P, SK-8150L/P, SK-8130LF/PF, SK-8140LF/PF, SKD-8300L/P, SKD-8400L/P, SKD-8500L/P, SKD-8300LF/PF, SK-8230L/P, SK-8240L/P, SK-8250L/P, SK-8230LF/PF, SK-8240LF/PF, SK-9131L/P, SK-9131LF/PF, SK-9231L/P, SK-9231LF/PF	SK-3120L(one color &KC), SK-3180L(one color &KC), SK-3180LF(one color &KC), SKD-2000L(two color &KC), SKD-2200L(two color &KC), SKD-2300L(two color &KC),		
			KH-4	SK-205LS, SK-215LS, SK-2205LS, SK-2215LS, SK-3120P(one color), SK-3180P(one color), SK-3180PF(one color), SK-3120L/P(two color), SK-3180L/P(two color), SK-3180LF/PF(two color), SK-3220L/P(two color), SK-3280L/P(two color), SK-3280LF/PF(two color), SKD-5200L/P(two color), SKD-5300L/P(two color), SKD-5300LF/PF(two color), SKD-B512L/P, SKD-B519L/P, SKD-B512LF/PF, SKD-2000L(two color), SKD-2200L(two color), SKD-2300L(two color),	SKD-BE512L/P, SKD-BE512LF/PF, SKD-BE519L/P, SKD-BE517LF/PF,	
				KH-5	SKD-B203L(&KC), SKD-B207L(&KC), SKD-B210L(&KC), SKD-B203L, SKD-B207L, SKD-B210L,	



Torque Fixing Ring

	Applicable Models
KC-1(S)	SK-8230L/P, SK-8240L/P, SK-8250L/P, SK-9150L/P, SK-9130L/P(LF/PF), SK-9140L/P(LF/PF), SK-8230PF/LF, SK-8240PF/LF,
KC-2(S)	SKD-7000P/L, SKD-7200P/L, SKD-7800P/L, SKD-7800PF/LF, SK-9131L/P, SK-9231L/P, SK-2125LS, SK-2135LS, SK-2145LS, SK-2125LSF, SK-2225LS, SK-2235LS, SK-2245LS, SK-2225LSF,
KC-3(S)	SKD-5200L/P, SKD-5300L/P, SKD-5200PF/LF, SK-3120L/P, SK-3180L/P(LF/PF) SK-215L, SK-205L, SK-2215L, SK-2205L, SK-205LS, SK-2205LS,
KC-4C(S)	SKD-2000L, SKD-2200L, SKD-2300L, SKD-B203L, SKD-B207L, SKD-B210L,
KC-6C(S)	SK-3220L/P, SK-3280L/P(LF/PF), SKD-B512L/P, SKD-B512LF/PF, SKD-B519L/P, SKD-BE512L/P, SKD-BE519L/P, SKD-BE517LF/PF,
KC-7C(S)	SKD-B830P/L, SKD-B850P/L, SKD-B830PF/LF, SKD-BE830P/L, SKD-BE850P/L, SKD-BE830PF/LF,
KC-9C(S)	SKD-B100L, SKD-B103L,

ESD need special order (S) series

ACCESSORIES

KW, PG, LG, KL, KB, Series 【KW-1/3/4, PG-1/LG-2/LG-8/PG-8】
 【KL-2000/KL-1200/KL-600, KB-1/2/3】



Torque Adjuster

	Applicable Models			
KW-1	SK-8130L/P, SK-8230L/P, SK-9130L/P, SK-9230L/P, SK-9131P/L, SKD-7000L/P, SKD-8300L/P, SK-2125L S, SK-2125L SF, SKD-B830L/P, SKD-BE830L/P,	SK-8140L/P, SK-8240L/P, SK-9140L/P, SK-9240L/P, SK-9131LF/PF, SKD-7200L/P, SKD-8400L/P, SK-2135L S, SK-2225L S, SKD-B850L/P, SKD-BE850L/P,	SK-8150L/P, SK-8250L/P, SK-9150L/P, SK-9250L/P, SK-9231L/P, SKD-7800L/P, SKD-8500L/P, SK-2145L S, SK-2235L S, SKD-B830LF/PF, SKD-BE830LF/PF,	SK-8130PLF/PF, SK-8230LF/PF, SK-9130LF/PF, SK-9230LF/PF, SK-9231LF/PF, SKD-7800LF/PF, SKD-8300LF/PF, SK-2245L S, SK-2225L SF, SKD-B512L/P, SKD-BE512L/PF,
KW-3	SK-3120L/P, SK-3280L/P, SK-205L S, SKD-B512L/P, SKD-BE512L/P,	SK-3180L/P, SKD-5200L/P, SK-215L S, SKD-B519L/P, SKD-BE519L/P,	SK-3220L/P, SKD-5300L/P, SK-2205L S, SKD-B512LF/PF, SKD-BE519L/P,	SKD-5300LF/PF, SK-2215L S, SKD-B517LF/PF, SKD-BE517LF/PF,
KW-4	SKD-2000L, SKD-2200L, SKD-2300L, SKD-B203L, SKD-B207L, SKD-B210L,			

Pistol Grip

	Applicable Models		
PG-1	SK-9130P, SK-9130PF, SK-9140P SK-9150P, SK-9230P, SK-9230PF SK-9240P, SK-9250P		
LG-2	SK-9130L, SK-9130LF, SK-9140L SK-9150L, SK-9230L, SK-9230LF SK-9240L, SK-9250L		
LG-8	SKD-B830L, SKD-B830LF, SKD-B850L		
PG-8	SKD-B830P, SKD-B830PF, SKD-B850P		



Spring Balancer

	Applicable Models	
KL-600 0.3~0.8kg	SKD-2000L, SKD-2200L, SKD-2300L, SKD-B203L, SKD-B207L, SKD-B210L,	
KL-1200 0.6~1.5kg	USE FOR ALL MODELS	
KL-2000 1.0~2.0kg	USE FOR ALL MODELS	

Screw Setter

	Applicable Models	
KB-1	M1.7~2.0 Screw available	
KB-2	M2.0~2.6 Screw available	
KB-3	M3.0~4.0 Screw available	



PRECIMER