

Height Gauges Page 213



Height Gauge Accessories Page 219



Height Gauges with Data Processing Unit Page 220



Vernier Height Gauges

Series 514

This vernier height gauge offers you the following benefits:

- You can take accurate and fast readings thanks to the satin chrome finished main and vernier scales.
- A carbide-tipped scriber is provided.

Specifications

Scale adjustment	15 mm: 300, 450, 600 mm range, 25 mm: 1000 mm range
Delivered	Including scriber & scriber clamp

Standard accessories

No.	Description
05GZA033	Scriber Clamp, for 9x9mm Scriber
06AGR304	Scriber Clamp with Plastic Screw, for 12,7x6,35mm Scriber
900173	Carbide Tipped Scriber, 6,35x12,7mm, 47mm Length
07GZA000	Carbide Tipped Scriber, 9x9mm, 80mm Length
905200	Carbide Tipped Scriber, 9x9mm, 150mm Length

06AGR304: for 506-207

05GZA033: for 514-102, 514-104, 514-106, 514-108

900173: for 506-207

07GZA000: for 514-102, 514-104, 514-106

905200: for 514-108

Optional accessories

No.	Description
953638	Holding Bar for Swivel Clamp, 9x9mm, 50mm Length
900209	Holding Bar for Swivel Clamp, 9x9mm, 100mm Length
953639	Holding Bar for Swivel Clamp, 6,25x12,7mm, 2" Length
900321	Swivel Clamp, for D=4/8mm, Dovetail
07GZA003	Magnifier for Vernier Height Gauge, 300, 450, 600mm
07GZA015	Magnifier for Vernier Height Gauge, 1000mm

953638: except 506-207

900209: except 506-207

953639 is required for the combination of 900321 with 506-207



506-207

514-102

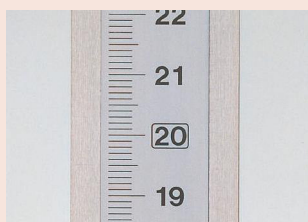
Metric

No.	Range [mm]	Graduation	Max. Permissible Error E MPE	Fine adjustment	a [mm]	b [mm]	c [mm]	d [mm]	e [mm]	L [mm]	Mass [kg]
506-207	0 - 200	0,02 mm	±0,03 mm	4 mm							1,4
514-102	0 - 300	0,02 mm	±0,04 mm	4 mm	32	20	70	28	45	525	3,1
514-104	0 - 450	0,02 mm	±0,05 mm	4 mm	32	20	70	28	45	675	3,4
514-106	0 - 600	0,02 mm	±0,05 mm	7 mm	32	24	85	35	54	870	7,4
514-108	0 - 1000	0,02 mm	±0,07 mm	6 mm	42	30	110	45	65	1340	20

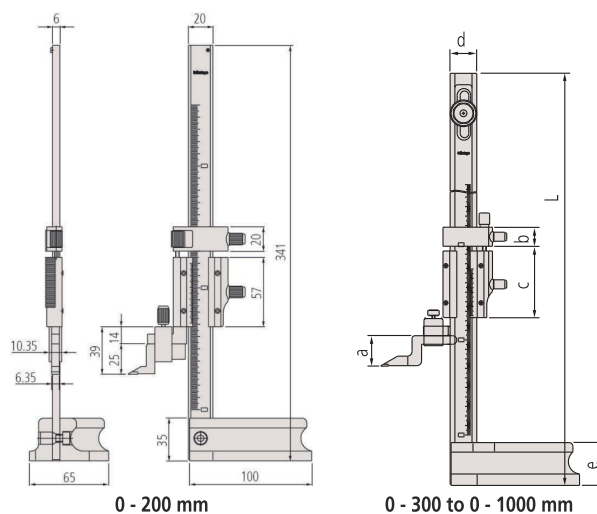


953638

900321



Large graduation



0 - 200 mm

0 - 300 to 0 - 1000 mm

Dial Height Gauges

Series 192

This Dial Height Gauge offers you the following benefits:

- It allows you easy and error-free reading with both up and down digital counters as well as a dial.
- It comes with a hand wheel so you can easily make rough adjustments.
- A carbide-tipped scriber is provided.



192-130



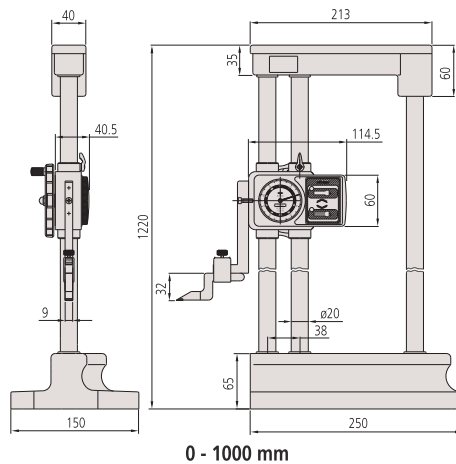
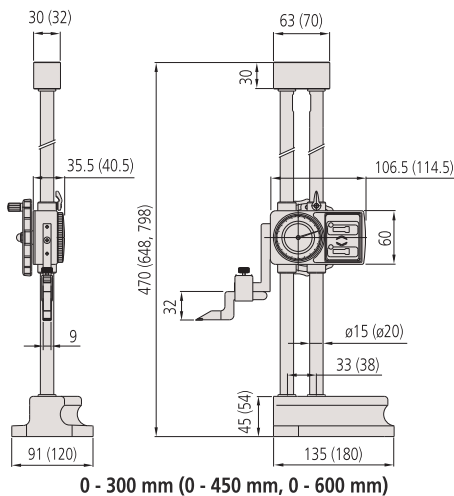
192-132



192-133

Metric

No.	Range [mm]	Digital step	Graduation	Max. Permissible Error E MPE	Mass [kg]
192-130	0 - 300	0,01 mm	0,01 mm	±0,03 mm	4,2
192-131	0 - 450	0,01 mm	0,01 mm	±0,05 mm	9,2
192-132	0 - 600	0,01 mm	0,01 mm	±0,05 mm	9,8
192-133	0 - 1000	0,01 mm	0,01 mm	±0,07 mm	17



Specifications

Delivered

Including scriber, scriber clamp and cover

Standard accessories

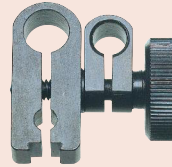
No.	Description
07GZA000	Carbide Tipped Scriber, 9x9mm, 80mm Length
05GZA033	Scriber Clamp, for 9x9mm Scriber
450291	Vinyl Cover Series 192, 300mm
450292	Vinyl Cover Series 192, 450mm, 600mm
450290	Vinyl Cover Series 192, 1000mm

Optional accessories

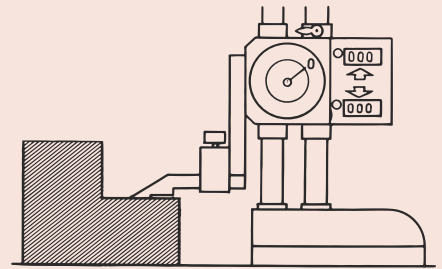
No.	Description
953638	Holding Bar for Swivel Clamp, 9x9mm, 50mm Length
900321	Swivel Clamp, for D=4/8mm, Dovetail



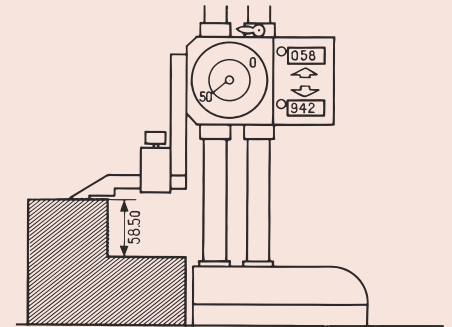
953638



900321



Reset



Reading off

Counter : 58,00 mm

Dial Gauge : 0,50 mm

Result : 58,50 mm

ABSOLUTE Digimatic Height Gauges

ABSOLUTE®

Series 570

This Digimatic height gauge is very precise and reliable, and offers you the following benefits:

- Its built-in ABSOLUTE linear encoder means you don't have to set the reference point at every power-on, improving reliability as over-speed errors cannot occur.
- Fine-adjustment gives you precise positioning.
- A carbide-tipped scriber is provided.

Functions	Series 570
ON/OFF	●
ABS / INC (INC ZERO)	●
PRESET	●
ORIGIN (ABS-Zero)	●
DATA (output with cable) / HOLD (display value)	●
Low voltage alarm	●
±SWITCHING	●

Specifications

Scale	ABSOLUTE electrostatic linear encoder
Display	LCD
Max. response speed	Unlimited
Battery life	Approx. 5000 hours
Delivered	Including 1 battery, scriber and scriber clamp

Standard accessories

No.	Description
901338	Scriber Clamp, for 6,35x12,7mm Scriber
05GZA033	Scriber Clamp, for 9x9mm Scriber
900173	Carbide Tipped Scriber, 6,35x12,7mm, 47mm Length
905200	Carbide Tipped Scriber, 9x9mm, 150mm Length

901338, 900173: 570-227
05GZA033, 905200: 570-230

Optional accessories

No.	Description
905338	Digimatic Cable, Flat Straight Type, 1 m
905409	Digimatic Cable, Flat Straight Type, 2 m
06AFM380F	USB Input Tool Direct (Digimatic to USB), 2m Cable, Digimatic/Digimatic 2, Flat Straight Type
02AZD880G	U-WAVE-T, Buzzer Type, Wireless Transmitter
02AZD730G	U-WAVE-T, IP67 Type, Wireless Transmitter
02AZD790F	Connection Cable F for U-WAVE, Straight, without Data Button
953639	Holding Bar for Swivel Clamp, 6,25x12,7mm, 2" Length
953638	Holding Bar for Swivel Clamp, 9x9mm, 50mm Length
900209	Holding Bar for Swivel Clamp, 9x9mm, 100mm Length
900321	Swivel Clamp, for D=4/8mm, Dovetail

953639: 570-227
953638, 900209: 570-230

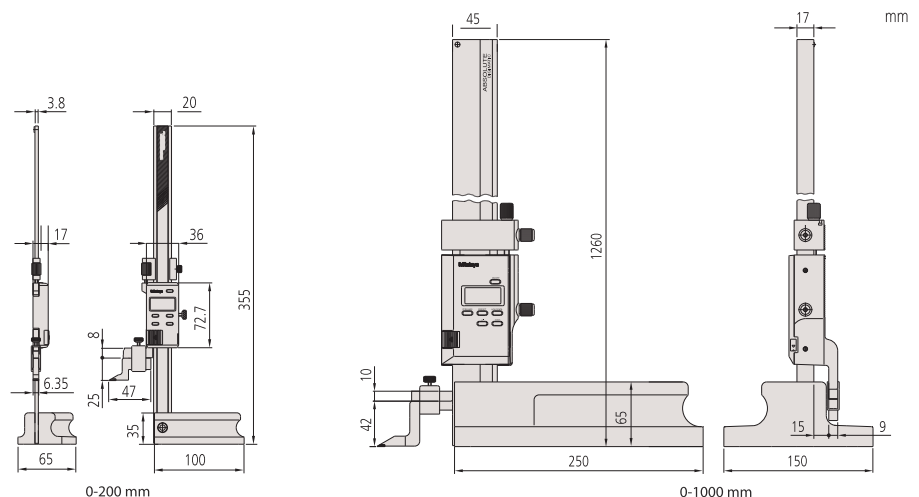
Consumable spares

No.	Description
63AAA800	Battery SR44 1,5 V



Metric

No.	Range [mm]	Digital step	Max. Permissible Error E MPE	Fine adjustment	Remarks	Mass [kg]
570-227	0 - 200	0,01 mm	±0,03 mm	4 mm	2 x PRESET	1,3
570-230	0 - 1000	0,01 mm	±0,07 mm	6 mm		16,8



ABSOLUTE Digimatic Height Gauges with Slider Adjustment Wheel

Series 570

This Digimatic height gauge is very precise and reliable, and offers you the following benefits:

- Its built-in ABSOLUTE linear encoder means you don't have to set the reference point at every power-on, improving reliability as over-speed errors cannot occur.
- It comes with large and smooth-acting slider hand wheel
- A large display and buttons for easy operability.
- A carbide-tipped scriber is provided.

ABSOLUTE®

Functions	Series 570
Data output	●
ON/OFF	●
ABS / INC (INC ZERO)	●
ORIGIN (ABS-Zero)	●
DATA (output with cable) / HOLD (display value)	●
Low voltage alarm	●

Specifications

Scale	ABSOLUTE electrostatic linear encoder
Display	LCD, character height 11 mm
Max. response speed	Unlimited
Battery life	Approx. 20000 hours
Delivered	Including 1 battery, scriber and scriber clamp

Standard accessories

No.	Description
07GZA000	Carbide Tipped Scriber, 9x9mm, 80mm Length
05GZA033	Scriber Clamp, for 9x9mm Scriber
450291	Vinyl Cover Series 192, 300mm
450292	Vinyl Cover Series 192, 450mm, 600mm

Optional accessories

No.	Description
905338	Digimatic Cable, Flat Straight Type, 1 m
905409	Digimatic Cable, Flat Straight Type, 2 m
06AFM380F	USB Input Tool Direct (Digimatic to USB), 2m Cable, Digimatic/Digimatic 2, Flat Straight Type
02AZD880G	U-WAVE-T, Buzzer Type, Wireless Transmitter
02AZD730G	U-WAVE-T, IP67 Type, Wireless Transmitter
264-624	U-WAVE fit Bluetooth, IP67 Type, Wireless Transmitter for Caliper
264-625	U-WAVE fit Bluetooth, Buzzer Type, Wireless Transmitter for Caliper
02AZD790F	Connection Cable F for U-WAVE, Straight, without Data Button
953638	Holding Bar for Swivel Clamp, 9x9mm, 50mm Length
900321	Swivel Clamp, for D=4/8mm, Dovetail

Consumable spares

No.	Description
63AAA800	Battery SR44 1,5 V

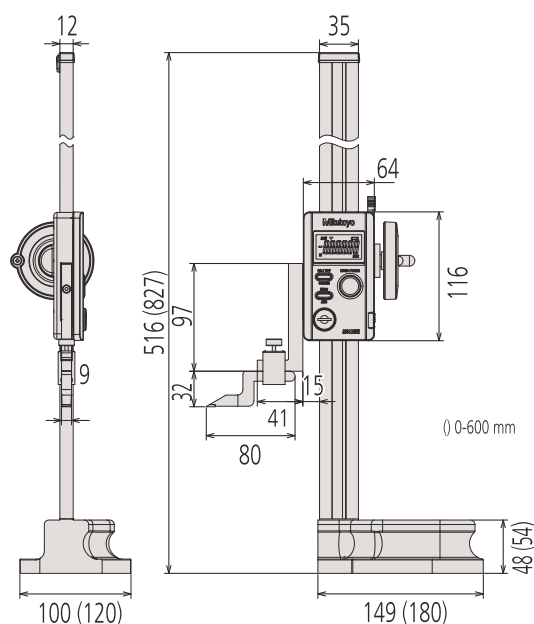


570-402



Metric

No.	Range [mm]	Digital step	Max. Permissible Error E MPE	Mass [kg]
570-402	0 - 300	0,01 mm	±0,03 mm	4,6
570-404	0 - 600	0,01 mm	±0,05 mm	6,4



Wireless data transmitter can be installed on the back of the display unit with double-sided tape

Digimatic Height Gauges Double Column Type

Series 192

This High Accuracy Height Gauge offers you the following benefits:

- Its double-column structure ensures high measuring accuracy.
- Large character height of 11 mm provides good readability.
- A Carbide-tipped scriber provided

Functions	Series 192
Data output	●
ON/OFF	●
ABS / INC (INC ZERO)	●
PRESET (2 values)	●
DATA (output with cable) / HOLD (display value)	●
Low voltage alarm	●
±SWITCHING	●

Specifications

Display	LCD, character height: 11 mm
Max. response speed	500 mm/s
Battery life	Approx. 3500 hours
Delivered	Including scriber, scriber clamp, 1 battery and cover

Standard accessories

No.	Description
05GZA033	Scriber Clamp, for 9x9mm Scriber
07GZA000	Carbide Tipped Scriber, 9x9mm, 80mm Length
450291	Vinyl Cover Series 192, 300mm
450292	Vinyl Cover Series 192, 450mm, 600mm
450290	Vinyl Cover Series 192, 1000mm

Optional accessories

No.	Description
905338	Digimatic Cable, Flat Straight Type, 1 m
905409	Digimatic Cable, Flat Straight Type, 2 m
06AFM380F	USB Input Tool Direct (Digimatic to USB), 2m Cable, Digimatic/Digimatic 2, Flat Straight Type
02AZD880G	U-WAVE-T, Buzzer Type, Wireless Transmitter
02AZD730G	U-WAVE-T, IP67 Type, Wireless Transmitter
02AZD790F	Connection Cable F for U-WAVE, Straight, without Data Button
953638	Holding Bar for Swivel Clamp, 9x9mm, 50mm Length
900321	Swivel Clamp, for D=4/8mm, Dovetail

Consumable spares

No.	Description
63AAA800	Battery SR44 1,5 V



953638

900321

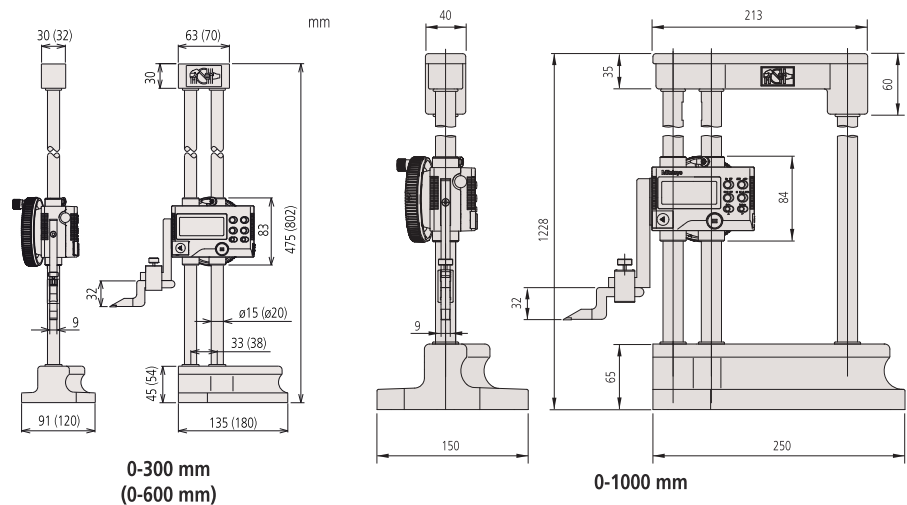


192-613-10



Metric

No.	Range [mm]	Digital step	Max. Permissible Error E MPE	Mass [kg]
192-613-10	0 - 300	0,01/0,005 mm	±0,02 mm	4,7
192-614-10	0 - 600	0,01/0,005 mm	±0,05 mm	8,3
192-615-10	0 - 1000	0,01/0,005 mm	±0,07 mm	15,7



Digimatic Height Gauges Double Column Type with Touch Trigger Probe Connector

Series 192

This High Accuracy Height Gauge offers you the following benefits:

- Its double-column structure ensures high measuring accuracy.
- Large character height of 11 mm provides good readability.
- A Carbide-tipped scriber provided

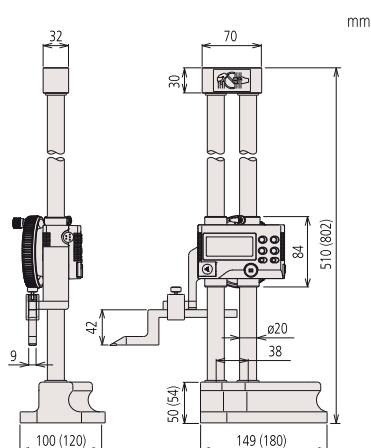


192-663-10

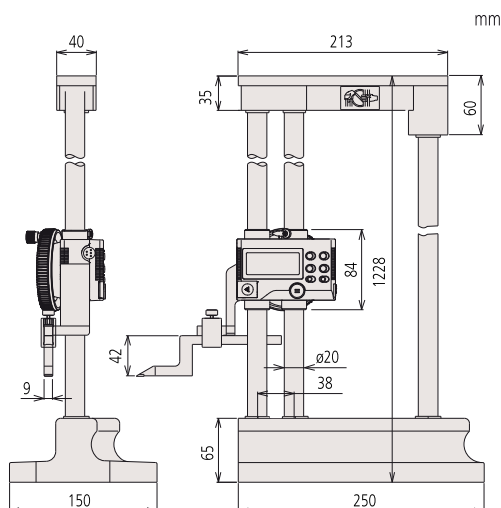


Metric

No.	Range [mm]	Digital step	Max. Permissible Error E MPE	Mass [kg]
192-663-10	0 - 300	0,01/0,005 mm	±0,02 mm	5,7
192-664-10	0 - 600	0,01/0,005 mm	±0,04 mm	8,3
192-665-10	0 - 1000	0,01/0,005 mm	±0,06 mm	15,7



0-300 mm
(0-600 mm)



0-1000 mm

Functions	Series 192
Data output	●
ON/OFF	●
ABS / INC (INC ZERO)	●
PRESET (2 values)	●
Touch-trigger probe	●
Stylus tip diameter compensation	●
DATA (output with cable) / HOLD (display value)	●
Low voltage alarm	●
±SWITCHING	●

Specifications

Display	LCD, character height: 11 mm
Max. response speed	500 mm/s
Battery life	Approx. 3500 hours
Delivered	Including scriber, scriber clamp, 1 battery and cover

Standard accessories

No.	Description
05GZA033	Scriber Clamp, for 9x9mm Scriber
905200	Carbide Tipped Scriber, 9x9mm, 150mm Length
450291	Vinyl Cover Series 192, 300mm
450292	Vinyl Cover Series 192, 450mm, 600mm
450290	Vinyl Cover Series 192, 1000mm

Optional accessories

No.	Description
192-007	Bi-Directional Touch Trigger Probe, for Series 192, Metric
905338	Digimatic Cable, Flat Straight Type, 1 m
905409	Digimatic Cable, Flat Straight Type, 2 m
06AFM380F	USB Input Tool Direct (Digimatic to USB), 2m Cable, Digimatic/Digimatic 2, Flat Straight Type
02AZD880G	U-WAVE-T, Buzzer Type, Wireless Transmitter
02AZD730G	U-WAVE-T, IP67 Type, Wireless Transmitter
02AZD790F	Connection Cable F for U-WAVE, Straight, without Data Button
953638	Holding Bar for Swivel Clamp, 9x9mm, 50mm Length
900209	Holding Bar for Swivel Clamp, 9x9mm, 100mm Length
900321	Swivel Clamp, for D=4/8mm, Dovetail

Consumable spares

No.	Description
63AAA800	Battery SR44 1,5 V



192-007

Spare Parts for Height Gauges

Standard accessories for Height Gauges

These are optional accessories and spare parts for height gauges, that you can use for different tasks.

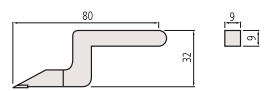
- Various accessories are available for using height gauges in different applications.
- Hard-wearing carbide-tipped scribers are available for all height gauges.



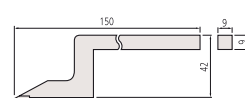
05GZA033



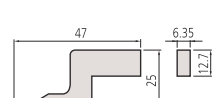
06AGR304



07GZA000



905200



900173

Carbide-tipped scribers

No.	Applicable height gauges	Remarks
07GZA000	192-130, 192-131, 192-132, 192-133	Carbide tipped scriber (9 x 9 mm) 80 mm length
	192-613-10, 192-614-10, 192-615-10	
	514-102, 514-104, 514-106, 514-103, 514-105, 514-107	
	570-302, 570-304, 570-402, 570-404	
905200	192-663-10, 192-664-10, 192-665-10	Carbide tipped scriber (9 x 9 mm) 150 mm length
	514-108, 514-109	
	570-230	
900173	570-227, 570-244	Carbide tipped scriber (12,7 x 6,35 mm) 47 mm length
	506-207, 506-208	

Scriber clamp

No.	Applicable height gauges	Remarks
05GZA033	192-130, 192-131, 192-132, 192-133	Scriber clamp (9 x 9 mm)
	192-613-10, 192-614-10, 192-615-10	
	192-663-10, 192-664-10, 192-665-10	
	514-102, 514-104, 514-106, 514-108	
	570-230	
06AGR304	570-302, 570-304, 570-402, 570-404	Scriber clamp with plastic screw (12,7 x 6,35 mm)
	570-227, 570-244, 506-207, 506-208	

Optional Accessories for Height Gauges

Optional accessories for Height Gauges

These are optional accessories for height gauges, that you can use for different tasks.

- Various accessories are available for using height gauges in different applications.

Depth measurement attachment

No.	Applicable height gauges	Remarks
900764	192-130, 192-131, 192-132, 192-133	Depth measurement attachment (9 mm x 9 mm)
	192-613-10, 192-614-10, 192-615-10	
	514-102, 514-103, 514-104, 514-105, 514-106, 514-107	
	570-302, 570-304, 570-402, 570-404	
900878	192-663-10, 192-264-10, 192-665-10	Depth measurement attachment (12,7 mm x 6,35 mm)
	514-108, 514-109	
	570-227, 570-244	
	506-207, 506-208	
	192-150, 192-151, 192-152	
	192-630-10, 192-631-10, 192-632-10, 192-633-10	
	570-312, 570-313, 570-314	
192-670-10, 192-671-10, 192-672-10, 192-673-10		
570-248		



900764



Depth measurement attachment

QM-Height

Series 518

This is a high precision ABSOLUTE Digital Height Gauge that offers you the following benefits:

- It has a high accuracy, high resolution ABSOLUTE linear encoder for position detection.
- Types with and without pneumatic drive mechanism.
- Automatic running of prelearnt part programs.
- You can easily implement frequently used measurements, such as inside/outside diameter and pitch calculations, by icon-based commands that also support easy one-key operation.
- Extraordinary battery life.
- GO/±NG judgement is performed by setting the upper and lower tolerances.

ABSOLUTE®



Specifications

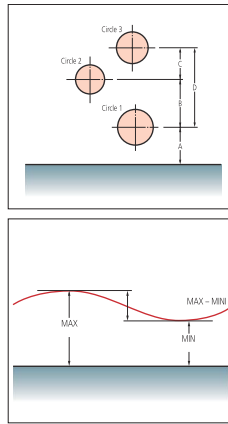
Measuring force	1,5 ± 0,5 N
Scale	ABSOLUTE electromagnetic inductive
Display	TN monochrome LCD
Measuring function	1D measurement: height diameter, pitch, Max/Min/TIR (Max-Min), tolerance, preset, data memory
Drive method	Manual
Guiding method	Roller bearing
Power supply	Alkaline battery size AA LR6 (4 pcs.), rechargeable battery size AA Ni-MH (4 pcs.), AC-Adapter (optional)
Battery life	Approx. 1200 h (without air floating) approx. 90 h (with air floating)



518-254



518-256



Standard accessories

No.	Description
011037	Battery, LR6, 1,5V, 4 pcs.
12AAA715	Setting Block Linear Height/QM-Height, Probe Calibration
05HZA148	Ball Offset Probe QM-Height, D=5mm, Standard Accessory

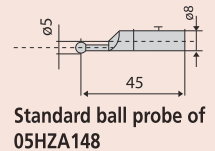


Metric

No.	Range	Digital step	Accuracy	Perpendicularity	Repeatability	Air floating	Mass [kg]
518-250	0-350 mm	0,001 mm/0,005 mm	±(2,4+2,1L/600) μm L = Measuring length (mm)	7 μm	(2σ) ≤ 1,8 μm	no	25
518-252	0-600 mm	0,001 mm/0,005 mm	±(2,4+2,1L/600) μm L = Measuring length (mm)	12 μm	(2σ) ≤ 1,8 μm	no	26
518-254	0-350 mm	0,001 mm/0,005 mm	±(2,4+2,1L/600) μm L = Measuring length (mm)	7 μm	(2σ) ≤ 1,8 μm	yes	29
518-256	0-600 mm	0,001 mm/0,005 mm	±(2,4+2,1L/600) μm L = Measuring length (mm)	12 μm	(2σ) ≤ 1,8 μm	yes	30



05HZA148



Standard ball probe of 05HZA148



Scan QR Code with your mobile device and watch our product videos on YouTube.



Scan QR Code with your mobile to read the QM-Height leaflet.

Optional Accessories for QM-Height

Series 518

Optional accessories

No.	Description
06AGZ369D	AC-Adapter, DC 6V 2A, CEE version Germany (Europe)
936937	Digimatic Cable, Flat 10-Pin Type, 1 m
965014	Digimatic Cable, Flat 10-Pin Type, 2 m
06AFM380D	USB Input Tool Direct (Digimatic to USB), 2m Cable, Digimatic/Digimatic 2, Flat 10-Pin Type
02AZE990	U-WAVE Transmitter Mounting Plate, for QM-Height
02AZD790D	Connection Cable D for U-WAVE, Flat 10-Pin Type
06AFZ050	USB Cable 1m, DP-1VA to PC etc., USB Type A to Micro USB Type B Plug
02AZD730G	U-WAVE-T, IP67 Type, Wireless Transmitter

Other probes and data management hardware, see optional accessories for QM-Height and Linear Height.



936937



06AFM380D



02AZE990



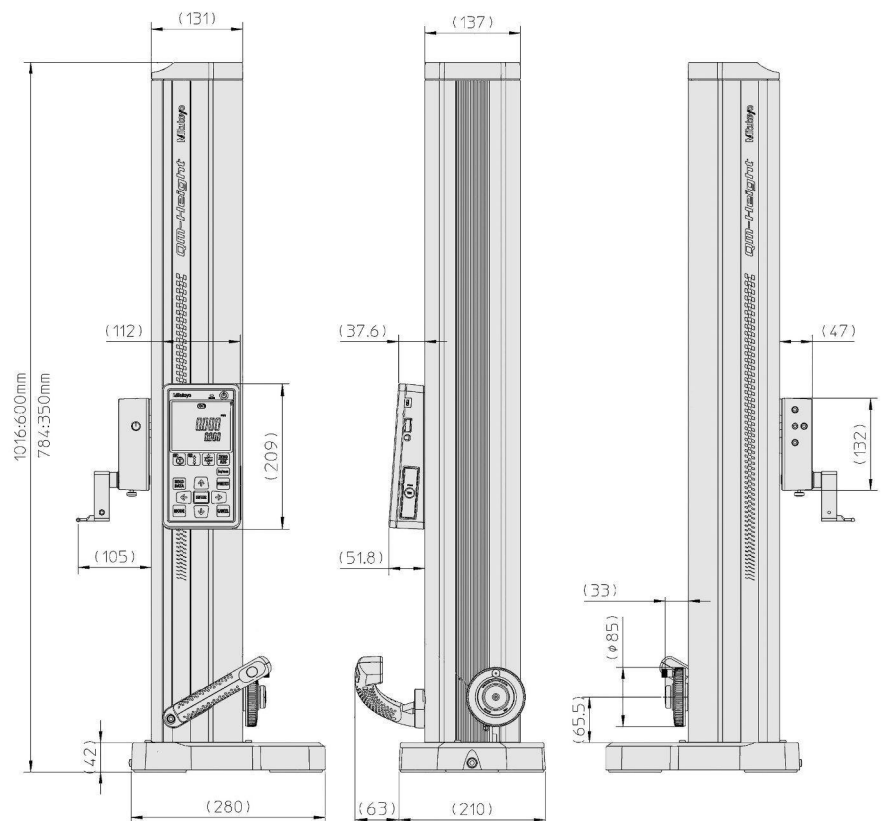
02AZE990



Inside diameter



Outside diameter



Linear Height LH-600 F/FG

Series 518

The Linear Height LH-600F/FG is a high-end 2D height-measuring instrument exhibiting the perfect combination of intuitive operation and multifunctionality.

- Measurement operations can be performed by using the hybrid controller box with a touch screen and integrated sheet keyboard
- It is capable of measuring with a digital step of 0,1 μm
- Excellent accuracy of $(1,1 + 0,6L/600) \mu\text{m}$
- Bidirectional Digimatic data output (Digimatic S1)
- Measurement results can be printed from a receipt printer or Digimatic Printer (DP-1VA) and sent to a PC via wireless communication, USB cable or USB-Stick
- Pneumatic drive mechanism
- Automatic running of pre-learned part programs
- Excellent visualization of GO/ \pm NG tolerance comparisons
- Independent operation with rechargeable battery
- LH-Communication Tool Software available online free of charge
- Dimensions L 492 mm x W 238 mm x H 996 mm



518-360-13



518-361-13 (model with power grip)



Measurements are supported via clear guidance on the large touch panel.



Rear panel

Specifications

Balancing method	Counterbalance
Drive method	Motor-driven (5, 10, 15, 20, 25, 30, 40 mm/s: 7 steps) / manual
Sliding method	Rolling bearing
Slider balance adjustment method	Manual adjustment by adding/removing auxiliary weights
Scale	Photoelectric INC encoder, STVC-20Z (8,1x10-6/K)
Display	8,4" SVGA touch screen (800x600 dot, LED, with back lightning)
Language for display	English / German / French / Spanish / Italian / Dutch / Portuguese / Swedish / Turkish / Czech / Hungarian / Slovenian / Polish / Russian / Romanian / Bulgarian / Finnish / Traditional Chinese / Simplified Chinese / Korean / Japanese
Adjustment range of display unit orientation	Tilt direction: 0-40°, swivel direction: -30-180°
Power supply	AC adapter 100-240V, 50/60Hz / battery (Ni-MH)
Battery operation time	Approx. 4 hours
Battery charging time	Appr. 3,5 h
Power consumption	Max. 49,9 W
Number of stored part programs	50
Preventive maintenance function	Scale status notification, calibration status notification
Measuring force	1 N

Standard accessories

No.	Description
12AAY343	D=5mm Ball Stylus, with Stepped Holder
518-060-13	Probe Diameter Calibration Block, Metric/Inch, for LH-600
12BAS388	Probe Diameter Calibration Block Cover, LH-600F/FG
12AAY658	Probe Diameter Calibration Block Base, LH-600F/FG
12AAF712	Battery Pack, for Height Gauge LH-600 C/D/E/F
12BAR507	Touch-Pen
12BAS384	Protective Sheet, Touch Screen LH-600F/FG
357651	AC-Adapter 12V, CEE Type, for SJ-210/ SJ-310/LH-600/QM-Data 200
12BAS276	Cap for Conveying Handles, LH-600F/FG
510434	Conveying Handles (2 pcs.), Linear Height, Profile Projector
12BAT198	Clear Cover (T0,15)
02ZAA000	Power Cord Set/PSE

Linear Height LH-600 F/FG

Metric/Inch

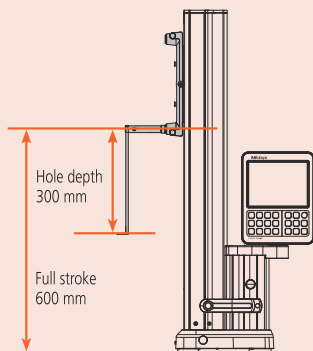
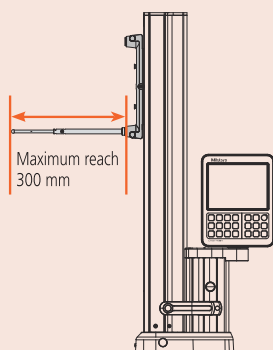
No.	Range [mm]	Slider stroke	Digital step	Remarks
518-360-13	0-977	600 mm	0,0001/ 0,001/ 0,01/ 0,1 mm or 0,000001/ 0,00001/ 0,0001/ 0,001"	Without power grip
518-361-13	0-977	600 mm	0,0001/ 0,001/ 0,01/ 0,1 mm or 0,000001/ 0,00001/ 0,0001/ 0,001"	With power grip



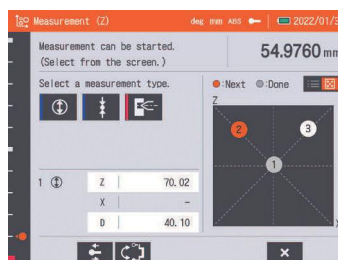
Scan QR Code with your mobile device and watch our product videos on YouTube.



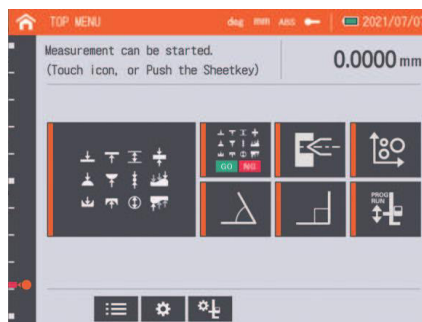
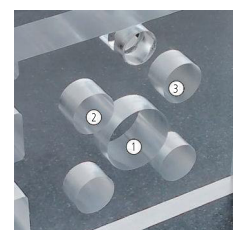
Scan QR Code with your mobile to read the Linear-Height leaflet.



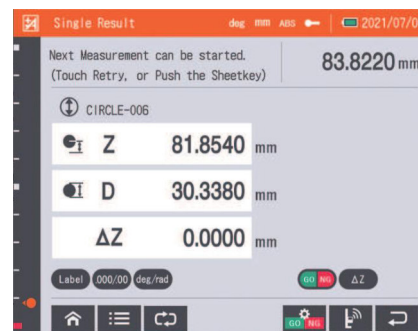
Measurement area with optional probes



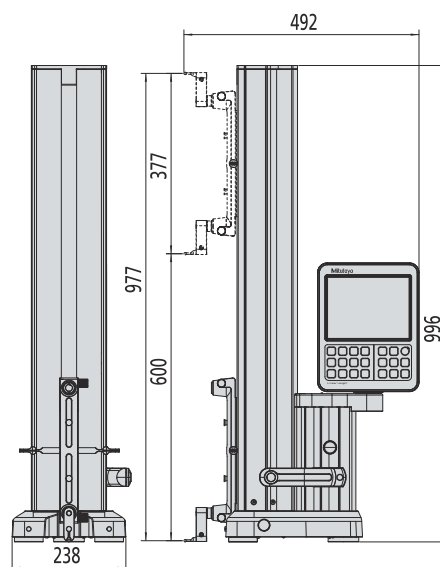
Graphic support for 2D measurement



Home screen

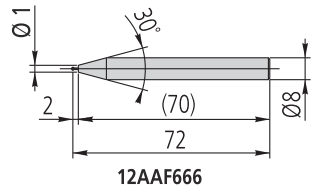


Result screen

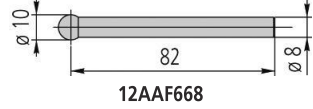


Optional Accessories for Linear Height

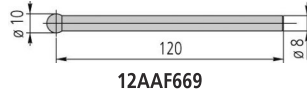
Series 518



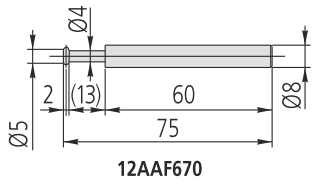
12AAF666



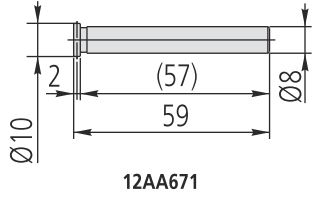
12AAF668



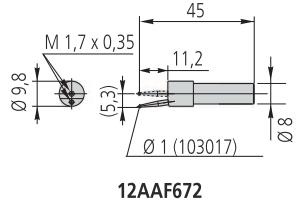
12AAF669



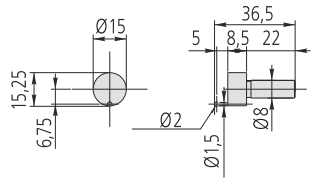
12AAF670



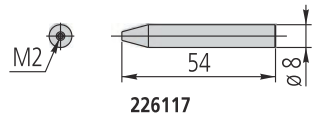
12AA671



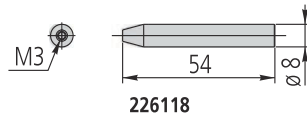
12AAF672



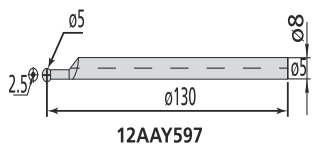
12AAF673



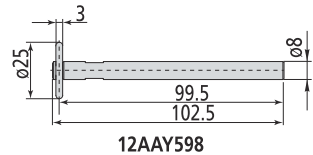
226117



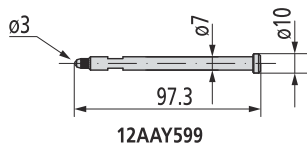
226118



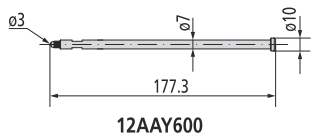
12AAY597



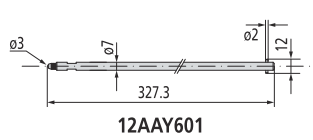
12AAY598



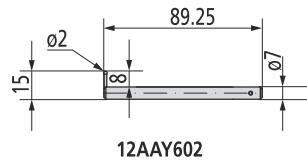
12AAY599



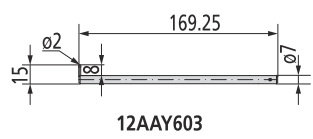
12AAY600



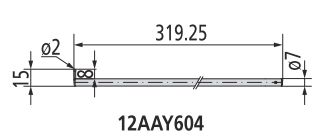
12AAY601



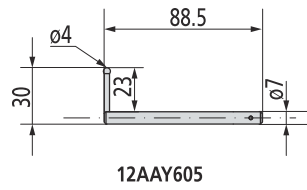
12AAY602



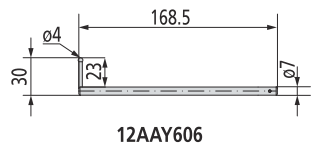
12AAY603



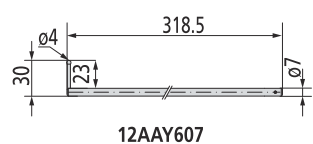
12AAY604



12AAY605



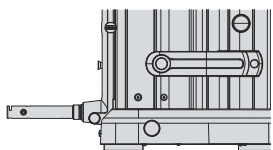
12AAY606



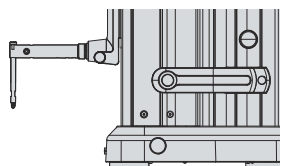
12AAY607



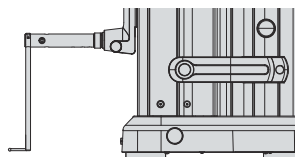
Extension holder
12AAY595 or 12AAY596



Extension holder 100 mm or
200 mm for probes and stylus



12AAY599 + 12AAY595



12AAY606 + 12AAY595

Optional accessories

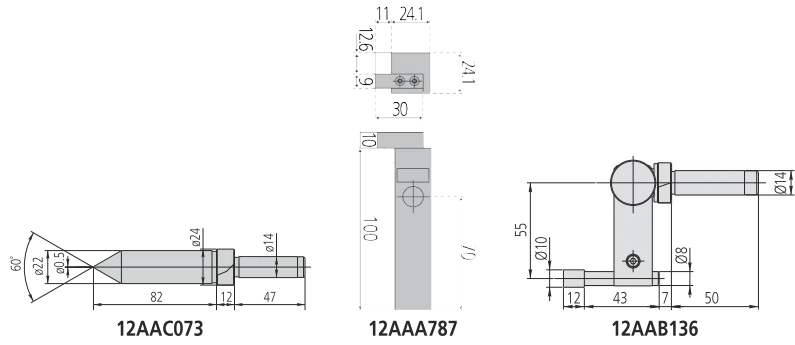
No.	Description
12AAF666	Ball Probe Coaxial Type, D=1mm, 72mm Length
12AAF668	Ball Probe Coaxial Type, D=10mm, 82mm Length
12AAF669	Ball Probe Coaxial Type, D=10mm, 120mm Length
12AAF670	Disk Probe Coaxial Type, D=5mm, 75mm Length
12AAF671	Disk Probe Coaxial Type, D=10mm, 59mm Length
12AAF672	Ball Probe Eccentric Type, D=1mm
12AAF673	Ball Probe Eccentric Type, D=2mm
226117	CMM Stylus Adapter M2
226118	CMM Stylus Adapter M3
12AAY597	Stylus, Eccentric Type, D=5mm, 130mm Length
12AAY598	Disk Stylus, Coaxial Type, D=25mm, 99.5mm Length
12AAY599	Depth Stylus for Height Gauge, for max. 70mm Depth
12AAY600	Depth Stylus for Height Gauge, for max. 150mm Depth
12AAY601	Depth Stylus for Height Gauge, for max. 300mm Depth
12AAY602	Depth Stylus for Height Gauge, Offset Type, for max. 70mm Depth, D=2mm Ball
12AAY603	Depth Stylus for Height Gauge, Offset Type, for max. 150mm Depth, D=2mm Ball
12AAY604	Depth Stylus for Height Gauge, Offset Type, for max. 300mm Depth, D=2mm Ball
12AAY605	Depth Stylus for Height Gauge, Offset Type, for max. 70mm Depth, D=4mm Ball
12AAY606	Depth Stylus for Height Gauge, Offset Type, for max. 150mm Depth, D=4mm Ball
12AAY607	Depth Stylus for Height Gauge, Offset Type, for max. 300mm Depth, D=4mm Ball
12AAY595	Extension Holder, 100mm, for Height Gauge
12AAY596	Extension Holder, 200mm, for Height Gauge

Optional Accessories for Linear Height

Series 518

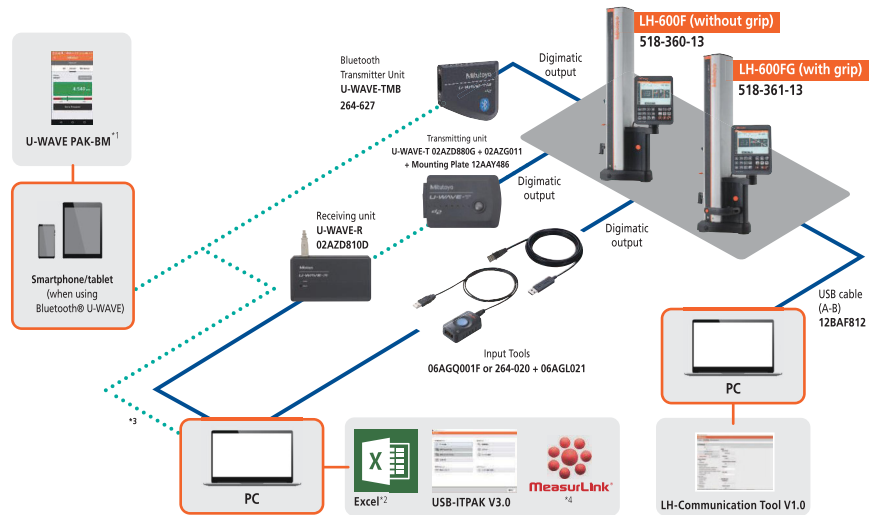
Optional accessories

No.	Description
12AAC073	Tapered Measuring Insert, D=22mm
12AAA787	Setting Block Linear Height/QM-Height, Probe Calibration and Taper Probe
12AAB136	Cylindrical Probe, D=10mm
K650986	Stylus Kit M3 for Linear Height, with Holder, 5 Probes, 2 Extensions, 1 Dowel-key
02ZAA021	Power Cable CEE Type, for Europe (except UK)
06AGL011	Digimatic Cable, Straight, 1m, Digimatic/Digimatic 2/Digimatic S1 Interface, 1 m
06AGL021	Digimatic Cable, Straight, 2m, Digimatic/Digimatic 2/Digimatic S1 Interface, 2 m
519-521	Inductive Probe Lever Head Design, $\pm 0,5$ mm, appr. 0,2N
06AGQ001F	USB Input Tool Direct (Digimatic to USB), 2m Cable, Digimatic/Digimatic 2/Digimatic S1 Interface
12AA486	U-WAVE-T Transmitter Mounting Plate, for LH-600F/FG
02AZG011	Connection Cable SF for U-WAVE, for U-WAVE-T and Instruments with Digimatic S1 Interface
12BAF812	USB Cable, A-Type 2m
519-561D	Digital Display Unit for Inductive Probe, with CEE Power Cable
02AZD880G	U-WAVE-T, Buzzer Type, Wireless Transmitter



K650986

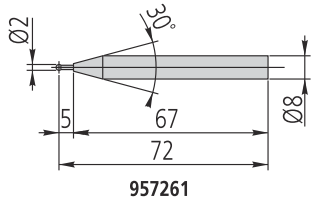
— Wired connection (USB) ••••• Wireless connection — Software



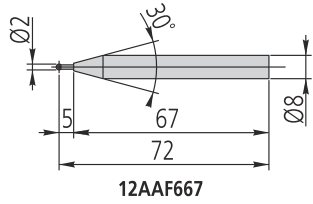
*1: Available at Apple Store and Google Play for free download. *2: Excel is a registered trademark of Microsoft Corporation. *3: It is also possible to connect with a Bluetooth-compatible PC. *4: MessurLink® is a registered trademark of Mitutoyo Corporation (Japan) and Mitutoyo America Corporation (USA).

Optional Accessories for QM-Height and Linear Height

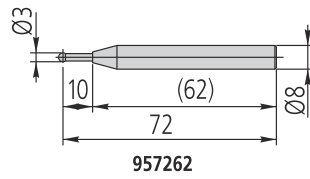
Series 518



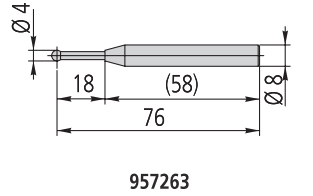
957261



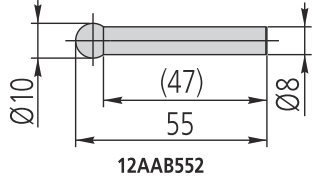
12AAF667



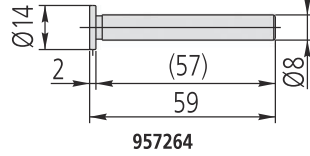
957262



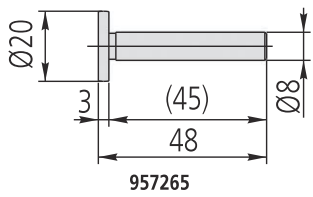
957263



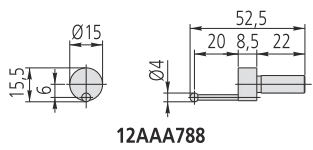
12AAB552



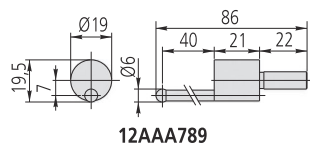
957264



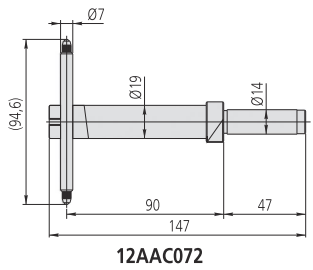
957265



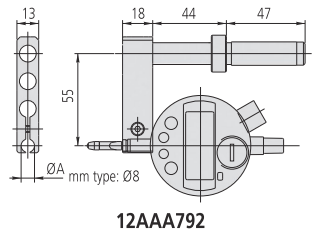
12AAA788



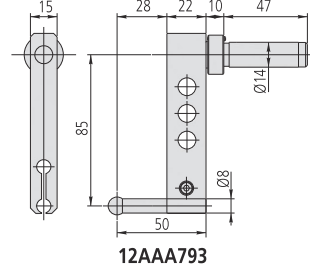
12AAA789



12AAC072



12AAA792



12AAA793



264-020



02AZD880G
(IEEE 802.15.4 Transmitter)



02AZD810D
(IEEE 802.15.4 Receiver)



264-627
(Bluetooth Transmitter)

Optional accessories

No.	Description
957261	Ball Probe Coaxial Type, D=2mm, 72mm Length
12AAF667	Ball Probe Coaxial Type, D=2mm, Ruby, 72mm Length
957262	Ball Probe Coaxial Type, D=3mm, 72mm Length
957263	Ball Probe Coaxial Type, D=4mm, 76mm Length
12AAB552	Ball Probe, Coaxial Type, D=10mm
957264	Disk Probe Coaxial Type, D=14mm, 59mm Length
957265	Disk Probe Coaxial Type, D=20mm, 48mm Length
12AAA788	Ball Probe Eccentric Type, D=4mm
12AAA789	Ball Probe Eccentric Type, D=6mm
12AAC072	Depth Probe for Height Gauge, 90mm Reach
12AAA792	Indicator Holder LH-600, For 8mm Stem
12AAA793	Probe Extension Holder, Height Gauge, 85mm
264-020	USB Input Tool Interface Box, Digimatic/Digimatic 2/Digimatic S1 Interface
02AZD730G	U-WAVE-T, IP67 Type, Wireless Transmitter
02AZD880G	U-WAVE-T, Buzzer Type, Wireless Transmitter
02AZD810D	U-WAVE-R Wireless Receiver, Based on IEEE802.15.4 (2,4 GHz)
264-626	U-WAVE fit Bluetooth, IP67 Type, Wireless Transmitter for Micrometer/Indicator
264-627	U-WAVE fit Bluetooth, Buzzer Type, Wireless Transmitter for Micrometer/Indicator
264-505D	Statistic Processing Printer DP-1VA, Data Printer and Logger CEE Type
543-701B	Digital Indicator ID-C, Inch/Metric, 0.5", 0.00002", Flat Back Plate
543-700B	Digital Indicator ID-C, 12,7mm, 0,0005mm, Flat Back Plate

For wireless transmitter, use connection cable 02AZG011 for Linear Height and 02AZD790D for QM-Height.