

Depth Micrometers  
Page 199



Depth Calipers and Depth Gauges  
Page 202



Depth Caliper Accessories  
Page 211



# Depth Micrometers without Interchangeable Rods

## Specifications

Measuring face	Hardened, precision ground, micro-lap finish
Measuring span	25 mm
Base	Hardened tool steel
Scale	Thimble and sleeve satin chrome finish, $\varnothing$ 18 mm
Measuring force	5-10 N
Spindle pitch	0,5 mm
Delivered	Including box and key



## Series 128

This Depth Micrometer offers you the following benefits:

- $\varnothing$ 4 mm measuring rod.
- Ratchet stop provides you with constant measuring force.
- Measuring rod lock.
- Carbide-tipped measuring rod model is available.



128-101



128-102

### Metric

No.	Range [mm]	Graduation	Max. Permissible Error E MPE	Flatness base	Flatness rod	Parallelism base/rod	Base (W x T)	Mass [g]
128-101	0-25	0,01 mm	$\pm 3 \mu\text{m}$	1,3 $\mu\text{m}$	0,3 $\mu\text{m}$	5 $\mu\text{m}$	63,5 x 16 mm	200
128-102	0-25	0,01 mm	$\pm 3 \mu\text{m}$	2 $\mu\text{m}$	0,3 $\mu\text{m}$	5 $\mu\text{m}$	101,6 x 16 mm	250

### Metric

Carbide-tipped measuring rod

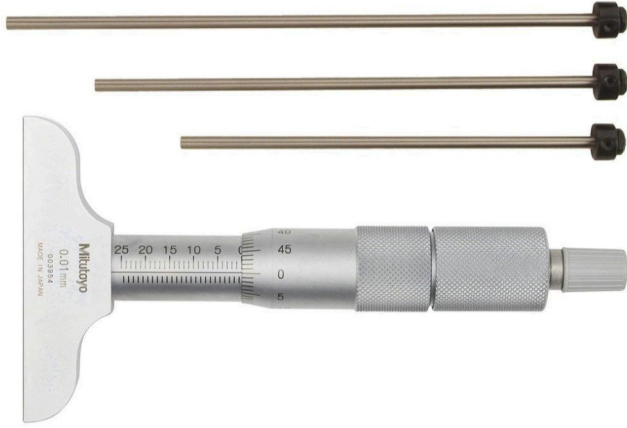
No.	Range [mm]	Graduation	Max. Permissible Error E MPE	Flatness base	Flatness rod	Parallelism base/rod	Base (W x T)	Mass [g]
128-103	0-25	0,01 mm	$\pm 3 \mu\text{m}$	1,3 $\mu\text{m}$	0,3 $\mu\text{m}$	5 $\mu\text{m}$	63,5 x 16 mm	200
128-104	0-25	0,01 mm	$\pm 3 \mu\text{m}$	2 $\mu\text{m}$	0,3 $\mu\text{m}$	5 $\mu\text{m}$	101,6 x 16 mm	250

# Depth Micrometers with Interchangeable Rods

## Series 129

This interchangeable rod type micrometer can be used for wide range measurements. It offers you the following benefits:

- $\varnothing 4$  mm interchangeable rods, with lapped measuring surfaces, enable you to make wide-range measurement.
- The ratchet stop provides constant measuring force.
- Measuring rod lock.



129-110

### Metric

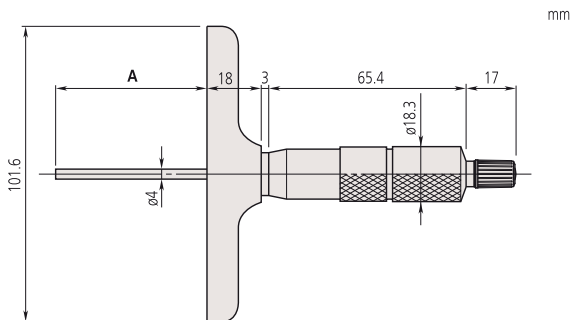
Base 101,6 x 16 mm

No.	Range [mm]	Graduation	Spindle feed error [ $\mu\text{m}$ ]	Zero point errors of rods	Flatness base	Flatness rod	Parallelism base/rod	Number of rods	Mass [g]
129-155	0-25	0,01 mm	3	$\pm 3 \mu\text{m}$	2 $\mu\text{m}$	0,3 $\mu\text{m}$	5 $\mu\text{m}$	1	290
129-113	0-50	0,01 mm	3	$\pm 3 \mu\text{m}$	2 $\mu\text{m}$	0,3 $\mu\text{m}$	5 $\mu\text{m}$	2	310
129-114	0-75	0,01 mm	3	$\pm 3 \mu\text{m}$	2 $\mu\text{m}$	0,3 $\mu\text{m}$	6 $\mu\text{m}$	3	330
129-115	0-100	0,01 mm	3	$\pm 4 \mu\text{m}$	2 $\mu\text{m}$	0,3 $\mu\text{m}$	6 $\mu\text{m}$	4	355
129-116	0-150	0,01 mm	3	$\pm 4 \mu\text{m}$	2 $\mu\text{m}$	0,3 $\mu\text{m}$	7 $\mu\text{m}$	6	410
129-153	0-300	0,01 mm	3	$\pm 6 \mu\text{m}$	2 $\mu\text{m}$	0,3 $\mu\text{m}$	10 $\mu\text{m}$	12	640

### Metric

Base 63,5 x 16 mm

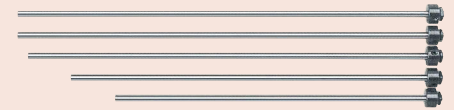
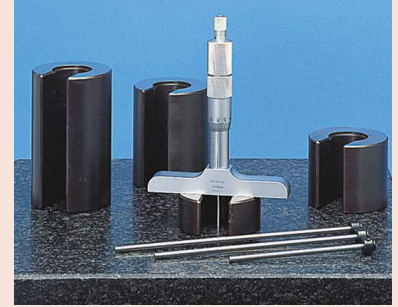
No.	Range [mm]	Graduation	Spindle feed error [ $\mu\text{m}$ ]	Zero point errors of rods	Flatness base	Flatness rod	Parallelism base/rod	Number of rods	Mass [g]
129-154	0-25	0,01 mm	3	$\pm 3 \mu\text{m}$	1,3 $\mu\text{m}$	0,3 $\mu\text{m}$	5 $\mu\text{m}$	1	240
129-109	0-50	0,01 mm	3	$\pm 3 \mu\text{m}$	1,3 $\mu\text{m}$	0,3 $\mu\text{m}$	5 $\mu\text{m}$	2	260
129-110	0-75	0,01 mm	3	$\pm 3 \mu\text{m}$	1,3 $\mu\text{m}$	0,3 $\mu\text{m}$	6 $\mu\text{m}$	3	280
129-111	0-100	0,01 mm	3	$\pm 4 \mu\text{m}$	1,3 $\mu\text{m}$	0,3 $\mu\text{m}$	6 $\mu\text{m}$	4	310
129-112	0-150	0,01 mm	3	$\pm 4 \mu\text{m}$	1,3 $\mu\text{m}$	0,3 $\mu\text{m}$	7 $\mu\text{m}$	6	370
129-152	0-300	0,01 mm	3	$\pm 6 \mu\text{m}$	1,3 $\mu\text{m}$	0,3 $\mu\text{m}$	10 $\mu\text{m}$	12	600



A = Range

### Specifications

Measuring span	25 mm
Spindle pitch	0,5 mm
Measuring face	Hardened, precision ground, micro-lap finish
Base	Hardened tool steel
Scale	Thimble and sleeve satin chrome finish $\varnothing 18$ mm
Measuring force	5-10 N
Delivered	Including box and key



Interchangeable rods

# Digimatic Depth Micrometers with Interchangeable Rod

## Series 329

This interchangeable rod type micrometer can be used for wide range measurements. It offers you the following benefits:

- $\varnothing 4$  mm interchangeable rods, with lapped measuring surfaces, enable you to make wide-range measurement.
- The ratchet stop provides constant measuring force.
- Measuring rod lock.

Functions	Series 329
DATA (output with cable) / HOLD (display value)	●
Lock function	●
Auto Power OFF after 20 min. non use	●
2 x PRESET	●
Low voltage alarm	●
Data output	●
ABS / INC (INC ZERO)	●

### Specifications

Power supply	1 battery SR-44
Measuring span	25 mm
Spindle pitch	0,5 mm
Measuring face	Hardened, precision ground, micro-lap finish
Base	Hardened tool steel
Scale	Thimble and sleeve satin chrome finish, $\varnothing 18$ mm
Measuring force	5-10 N
Battery life	Approx. 2,4 years
Delivered	Including box, key and 1 battery

### Optional accessories

No.	Description
06AGR543	USB-ITPAK Vers. 3.0, USB Dongle + Manual (Software available Online)
05CZA662	Digimatic Cable with Data Button IP Type, 1 m, Micrometer Type
05CZA663	Digimatic Cable with Data Button IP Type, 2 m, Micrometer Type
06AFM380B	USB Input Tool Direct (Digimatic to USB), 2m Cable, Digimatic/Digimatic 2, with Data Button IP Micrometer Type
264-622	U-WAVE fit, IP67 Type, Wireless Transmitter for Micrometer/Indicator
264-623	U-WAVE fit, Buzzer Type, Wireless Transmitter for Micrometer/Indicator
264-627	U-WAVE fit Bluetooth, Buzzer Type, Wireless Transmitter for Micrometer/Indicator
264-626	U-WAVE fit Bluetooth, IP67 Type, Wireless Transmitter for Micrometer/Indicator
02AZF310	Connection Unit for IP Caliper, Micrometer, with Data Button for U-WAVE fit, U-WAVE fit Bluetooth

### Consumable spares

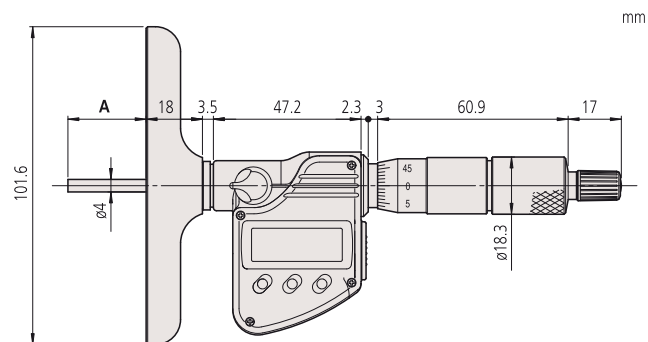
No.	Description
63AAA800	Battery SR44 1,5 V



329-250-30

### Metric

No.	Range [mm]	Digital step	Spindle feed error [ $\mu$ m]	Zero point errors of rods	Flatness base	Flatness rod	Parallelism base/rod	Base (W x T)	Number of rods	Mass [g]
329-250-30	0-150	0,001 mm	3	$\pm 4 \mu$ m	2 $\mu$ m	0,3 $\mu$ m	7 $\mu$ m	101,6 x 16 mm	6	540
329-251-30	0-300	0,001 mm	3	$\pm 6 \mu$ m	2 $\mu$ m	0,3 $\mu$ m	10 $\mu$ m	101,6 x 16 mm	12	790



A = Range

# ABSOLUTE Digimatic Indicator Depth Gauges

## Series 547

This ABSOLUTE Digimatic Indicator Depth Gauge offers you the following benefits:

- It is equipped with the ABSOLUTE Digimatic Indicator ID-C.
- Bidirectional communication e.g. to perform parameter setting from a PC (Digimatic S 1 interface) is possible.
- It has a hardened, precision ground and micro-lapped reference face on its base.

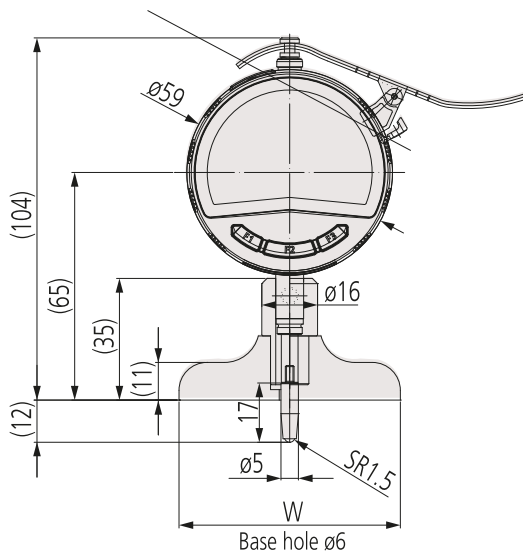


**Metric** With indicator No. 543-700BD

No.	Range [mm]	Digital step	Base (W x T)	Accuracy	Base flatness	Mass [g]
547-251A	0-200	0,001 mm	63,5 x 16 mm	± 5 µm	2 µm	285
547-252A	0-200	0,001 mm	101,6 x 16 mm	± 5 µm	2 µm	335

**Metric** With indicator No. 543-710BD

No.	Range [mm]	Digital step	Base (W x T)	Accuracy	Base flatness	Mass [g]
547-211A	0-200	0,01 mm	63,5 x 16 mm	± 20 µm	5 µm	280
547-212A	0-200	0,01 mm	101,6 x 16 mm	± 20 µm	5 µm	330



ABSOLUTE®

Functions	Series 547
DATA/HOLD	●
PRESET	●
ON/OFF	●
Lock function	●
GO/±NG judgement	●
MAX/MIN/RANGE	●
ZERO/ABS	●
ABS / INC (INC ZERO)	●
Data output	●
Analog bar resolution selection	●
Auto Power OFF setting	●
Calculation function (with formula)	●
Customizing keys	●
Counting direction switchable	●
Calibration warning function	●

### Specifications

Power supply	1 battery CR-2032
Stroke	12,7 mm
Scale	Capacitance type ABSOLUTE linear encoder
Contact point	Carbide ball
Alarm	Low voltage, counting value composition error, overflow error, tolerance limit setting error
Measuring force	≤ 1,5 N
Battery life	Approx. 7000 hours
Delivered	Including box, CR-2032 battery, battery lid opener and extensions 10, 20, 30 (2 pcs.), 100 mm

### Optional accessories

No.	Description
06AGR543	USB-ITPAK Vers. 3.0, USB Dongle + Manual (Software available Online)
06AGL011	Digimatic Cable, Straight, 1m, Digimatic/Digimatic 2/Digimatic S1 Interface, 1 m
06AGL021	Digimatic Cable, Straight, 2m, Digimatic/Digimatic 2/Digimatic S1 Interface, 2 m
06AGQ001F	USB Input Tool Direct (Digimatic to USB), 2m Cable, Digimatic/Digimatic 2/Digimatic S1 Interface
264-623	U-WAVE fit, Buzzer Type, Wireless Transmitter for Micrometer/Indicator
264-622	U-WAVE fit, IP67 Type, Wireless Transmitter for Micrometer/Indicator
264-627	U-WAVE fit Bluetooth, Buzzer Type, Wireless Transmitter for Micrometer/Indicator
264-626	U-WAVE fit Bluetooth, IP67 Type, Wireless Transmitter for Micrometer/Indicator
02AZF670	U-WAVE fit Transmitter Mounting Plate, for ID-C, ID-S and ID-F Digital Indicator
02AZF700	Connection Unit for ID-C Indicator, 12,7mm/0,5" Type, U-WAVE fit, U-WAVE fit Bluetooth for Digimatic S1 Interface
02AZG011	Connection Cable SF for U-WAVE, for U-WAVE-T and Instruments with Digimatic S1 Interface

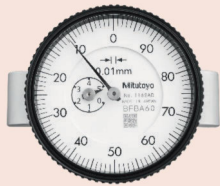
### Consumable spares

No.	Description
05SAA217D	Lithium battery CR-2032, 1 pcs.
21JAA224	Contact Element Ball Point, M2,5x0,45, 17mm Length, Carbide, Metric

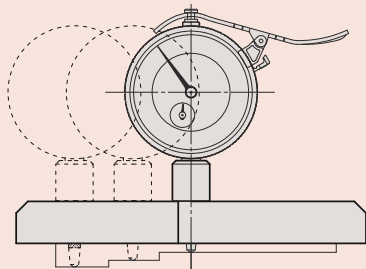
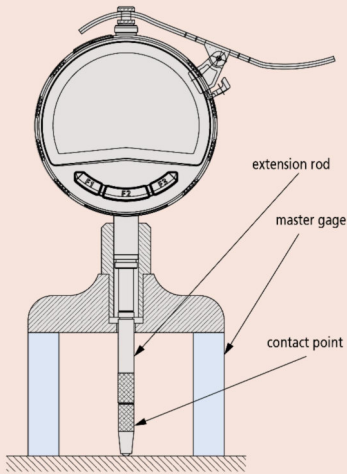
# Dial Indicator Depth Gauges

## Optional accessories

No.	Description
21AZB195	Limit Hands (green) 2pcs, Dial Indicator Series 2/3/4
21AZB148	Bezel Clamp for Dial Gauge, Metric, Series 2/3/4



7231A



7220A and 7221A allow the mounting position of a dial indicator to be varied.

## Series 7

This rectangular base dial indicator depth gauge offers you the following benefits:

- It has a hardened, precision ground and micro-lapped reference face on its base.



7231A



7210A



7211A



7214A



7220A



7221A

## Metric

With back plunger indicator No. 1162A

No.	Range [mm]	Graduation	Accuracy	Measuring force [N]	Base (W x T)	Stroke [mm]	Base flatness [ $\mu$ m]	Probe tip	Extension rods	Mass [g]
7231A	0-200	0,01 mm	$\pm 15 \mu$ m	$\leq 1,4$	63,5 x 16 mm	5	5	Ball, R = 1.5 mm (No. 21JAA224)	10, 20, 30, 30, 100 mm	200

# Dial Indicator Depth Gauges

Metric

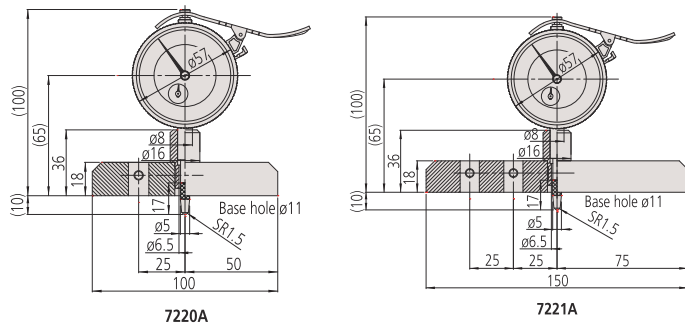
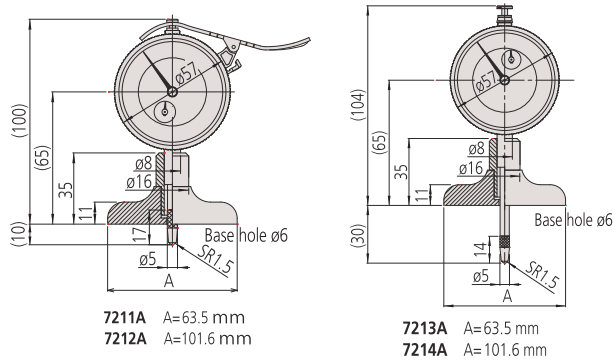
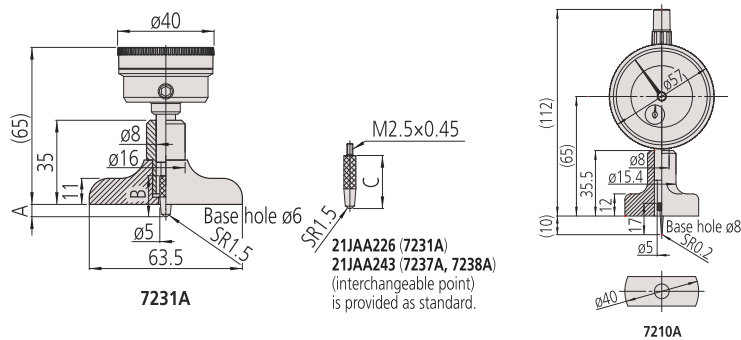
With indicator No. 2902AB

No.	Range [mm]	Graduation	Accuracy	Measuring force [N]	Base (W x T)	Stroke [mm]	Base flatness [ $\mu\text{m}$ ]	Probe tip	Extension rods	Mass [g]
7210A	0-10	0,01 mm	$\pm 15 \mu\text{m}$	$\leq 1,4$	40 x 16 mm	10	5	Needle, R = 0.2 mm (No.137413)		205
7211A	0-200	0,01 mm	$\pm 15 \mu\text{m}$	$\leq 1,4$	63,5 x 16 mm	10	5	Ball, R = 1.5 mm (No. 21JAA224)	10, 20, 30, 30, 100 mm	260
7212A	0-200	0,01 mm	$\pm 15 \mu\text{m}$	$\leq 1,4$	101,6 x 16 mm	10	5	Ball, R = 1.5 mm (No. 21JAA224)	10, 20, 30, 30, 100 mm	310
7220A	0-200	0,01 mm	$\pm 15 \mu\text{m}$	$\leq 1,4$	100 x 18 mm	10	5	Ball, R = 1.5 mm (No. 21JAA224)	10, 20, 30, 30, 100 mm	380
7221A	0-200	0,01 mm	$\pm 15 \mu\text{m}$	$\leq 1,4$	150 x 18 mm	10	5	Ball, R = 1.5 mm (No. 21JAA224)	10, 20, 30, 30, 100 mm	500

Metric

With indicator No. 2952AB

No.	Range [mm]	Graduation	Accuracy	Measuring force [N]	Base (W x T)	Stroke [mm]	Base flatness [ $\mu\text{m}$ ]	Probe tip	Extension rods	Mass [g]
7213A	0-210	0,01 mm	$\pm 30 \mu\text{m}$	$\leq 2,5$	63,5 x 16 mm	30	5	Ball, R = 1.5 mm (No. 21JAA225)	30, 60, 90 mm	260
7214A	0-210	0,01 mm	$\pm 30 \mu\text{m}$	$\leq 2,5$	101,6 x 16 mm	30	5	Ball, R = 1.5 mm (No. 21JAA225)	30, 60, 90 mm	310



# Dial Indicator Depth Gauges

## Optional accessories

No.	Description
21AZB195	Limit Hands (green) 2pcs, Dial Indicator Series 2/3/4
21AZB148	Bezel Clamp for Dial Gauge, Metric, Series 2/3/4

## Series 7

This round base type dial indicator depth gauge offers you the following benefits:

- It has a hardened, precision ground and micro-lapped reference face on its base.



7222A



7223A

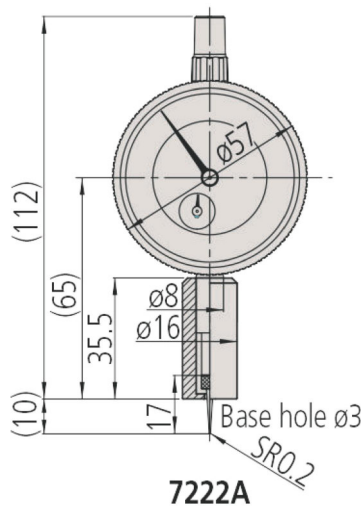


7224A

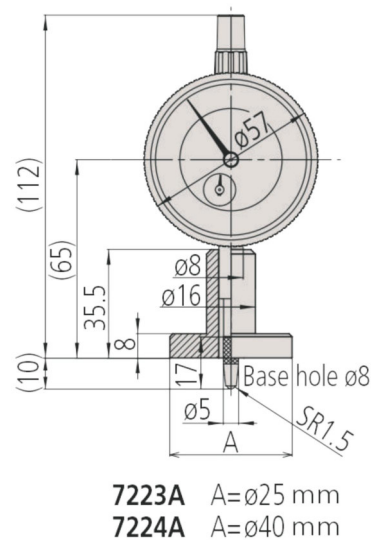
### Metric

Round base with indicator No. 2902AB

No.	Range [mm]	Graduation	Accuracy	Measuring force [N]	Base (W x T)	Stroke [mm]	Base flatness [ $\mu\text{m}$ ]	Probe tip	Mass [g]
7222A	0-10	0,01 mm	$\pm 15 \mu\text{m}$	$\leq 1,4$	$\varnothing 16 \text{ mm}$	10	5	Needle, R = 0.2 mm (No.137413)	165
7223A	0-10	0,01 mm	$\pm 15 \mu\text{m}$	$\leq 1,4$	$\varnothing 25 \text{ mm}$	10	5	Ball, R = 1.5 mm (No. 21JAA224)	180
7224A	0-10	0,01 mm	$\pm 15 \mu\text{m}$	$\leq 1,4$	$\varnothing 40 \text{ mm}$	10	5	Ball, R = 1.5 mm (No. 21JAA224)	195



7222A



7223A A =  $\varnothing 25 \text{ mm}$

7224A A =  $\varnothing 40 \text{ mm}$

# ABSOLUTE Digimatic Depth Gauges

## Series 571

This is a standard model Digital Depth Gauge.  
It offers you the following benefits:

- ABSOLUTE System gives you reliable measurements.
- Its base and measuring faces are hardened and micro-lapped for robustness.
- Large character height makes measurements easy to read.

ABSOLUTE®



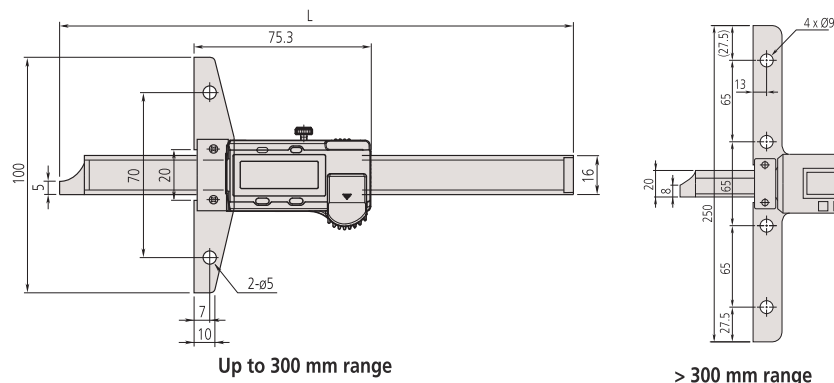
571-201-30



571-204-10

### Metric

No.	Range [mm]	Digital step	Max. Permissible Error E MPE	L [mm]	Base (W x T)	Mass [g]
571-201-30	0-150	0,01 mm	±0,02 mm	239	100 x 6 mm	207
571-202-30	0-200	0,01 mm	±0,02 mm	289	100 x 6 mm	227
571-203-30	0-300	0,01 mm	±0,03 mm	403	100 x 6,3 mm	310
571-204-10	0-450	0,01 mm	±0,05 mm	635	250 x 10 mm	1270
571-205-10	0-600	0,01 mm	±0,05 mm	785	250 x 10 mm	1400
571-206-10	0-750	0,01 mm	±0,06 mm	935	250 x 10 mm	1530
571-207-10	0-1000	0,01 mm	±0,07 mm	1200	250 x 10 mm	1760



Up to 300 mm range

> 300 mm range

Functions	Series 571
ORIGIN (ABS-Zero)	●
ON/OFF	●
Low voltage alarm	●
Data output	●
ABS / INC (INC ZERO)	●

### Specifications

Power supply	1 battery SR-44
Max. response speed	Unlimited
Battery life	Approx. 18000 hours (150, 200 mm) approx. 20000 hours (>200 mm)
Display	LCD, character height 9 mm (150/200/300 mm), 10 mm (>300 mm)
Delivered	In a box including 1 battery

### Optional accessories

No.	Description
06AGR543	USB-ITPAK Vers. 3.0, USB Dongle + Manual (Software available Online)
959149	Digimatic Cable, Straight, Data Button, 1 m
959150	Digimatic Cable, Straight, Data Button, 2 m
06AFM380C	USB Input Tool Direct (Digimatic to USB), 2m Cable, Digimatic/Digimatic 2, Straight, with Data Button
959143	Data Hold Unit, for Digital Caliper

### Range <300 mm

264-620	U-WAVE fit, IP67 Type, Wireless Transmitter for Caliper
264-621	U-WAVE fit, Buzzer Type, Wireless Transmitter for Caliper
264-624	U-WAVE fit Bluetooth, IP67 Type, Wireless Transmitter for Caliper
264-625	U-WAVE fit Bluetooth, Buzzer Type, Wireless Transmitter for Caliper
02AZF300	Connection Unit for Standard Caliper, with Data Button for U-WAVE fit, U-WAVE fit Bluetooth
900370	Extension Base, Depth Gauge, 180mm width for up to 300mm Range
900371	Extension Base, Depth Gauge, 260mm width for up to 300mm Range
900372	Extension Base, Depth Gauge, 320mm width for up to 300mm Range

### Range >300 mm

02AZD880G	U-WAVE-T, Buzzer Type, Wireless Transmitter
02AZD730G	U-WAVE-T, IP67 Type, Wireless Transmitter
02AZD790C	Connection Cable C for U-WAVE, Straight, with Data Button

### Consumable spares

No.	Description
63AAA800	Battery SR44 1,5 V

# ABSOLUTE Digimatic Depth Gauges

## Series 571

This Digital Depth Gauge is IP67 coolant proof and offers you the following benefits:

- ABSOLUTE System gives you reliable measurements.
- Its base and measuring faces are hardened and micro-lapped for robustness.
- It has excellent resistance against water and dust (IP67 protection level) enabling you to use it in machining situations that include splashing coolant fluid.
- Extremely resistant to both coolants and lubricants.



Functions	Series 571
Auto Power OFF after 20 min. non use	●
ORIGIN (ABS-Zero)	●
Low voltage alarm	●
Data output	●

### Specifications

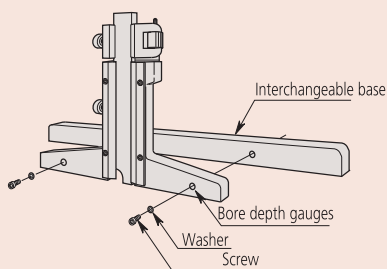
Power supply	1 battery SR-44
Max. response speed	Unlimited
Battery life	Approx. 5 years
Display	LCD, character height 9 mm (150, 200 mm) 11 mm (300 mm)
Delivered	In a box including 1 battery

### Optional accessories

No.	Description
06AGR543	USB-ITPAK Vers. 3.0, USB Dongle + Manual (Software available Online)
05CZA624	Digimatic Cable with Data Button IP Type, 1 m, Caliper Type
05CZA625	Digimatic Cable with Data Button IP Type, 2 m, Caliper Type
06AFM380A	USB Input Tool Direct (Digimatic to USB), 2m Cable, Digimatic/Digimatic 2, with Data Button IP Caliper Type
264-620	U-WAVE fit, IP67 Type, Wireless Transmitter for Caliper
264-621	U-WAVE fit, Buzzer Type, Wireless Transmitter for Caliper
264-624	U-WAVE fit Bluetooth, IP67 Type, Wireless Transmitter for Caliper
264-625	U-WAVE fit Bluetooth, Buzzer Type, Wireless Transmitter for Caliper
02AZF310	Connection Unit for IP Caliper, Micrometer, with Data Button for U-WAVE fit, U-WAVE fit Bluetooth
900370	Extension Base, Depth Gauge, 180mm width for up to 300mm Range
900371	Extension Base, Depth Gauge, 260mm width for up to 300mm Range
900372	Extension Base, Depth Gauge, 320mm width for up to 300mm Range

### Consumable spares

No.	Description
63AAA800	Battery SR44 1,5 V



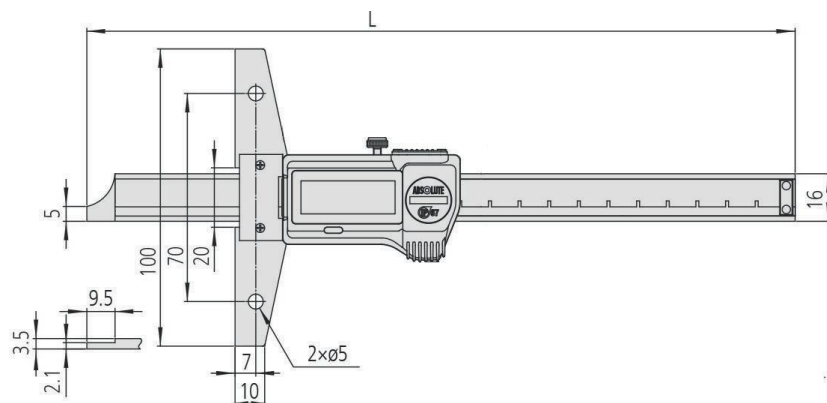
Mounting the interchangeable base



571-252-20

### Metric

No.	Range [mm]	Digital step	Max. Permissible Error E MPE	L [mm]	Base (W x T)	Mass [g]
571-251-20	0-150	0,01 mm	±0,02 mm	239	100 x 6 mm	199
571-252-20	0-200	0,01 mm	±0,02 mm	289	100 x 6 mm	219
571-253-20	0-300	0,01 mm	±0,03 mm	403	100 x 6,3 mm	315



# ABSOLUTE Digimatic Depth Gauges IP67 Hook/Pin Type

## Series 571

This Digital Depth Gauge is IP67 and offers you the following benefits:

- It has excellent resistance against water and dust (IP67 protection level) enabling you to use it in situations that include coolant fluid.
- Direct reading by pressing the OFFSET function, which compensates for the 10 mm width of the hook (hook type).



571-255-20



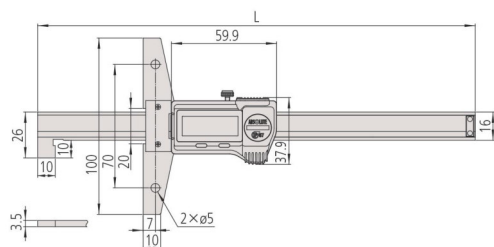
571-302-20

### Metric Hook Type

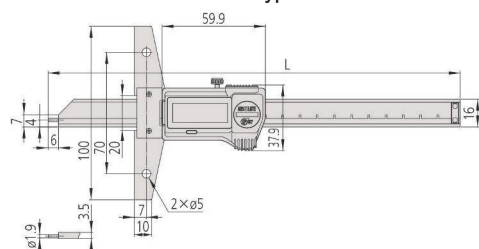
No.	Depth range	Hook range	Digital step	Max. Permissible Error E MPE	Base (W x T)	L [mm]	Mass [g]
571-254-20	10,1-160 mm	0-150 mm	0,01 mm	±0,03 mm	100 x 6 mm	249	216
571-255-20	10,1-210 mm	0-200 mm	0,01 mm	±0,03 mm	100 x 6 mm	299	236

### Metric Pin Type

No.	Range [mm]	Digital step	Max. Permissible Error E MPE	Base (W x T)	L [mm]	Mass [g]
571-301-20	0-150	0,01 mm	±0,02 mm	100 x 6 mm	249	207
571-302-20	0-200	0,01 mm	±0,02 mm	100 x 6 mm	299	227



Hook Type



Pin Type

Series 571	
<b>Functions</b>	
ORIGIN (ABS-Zero)	●
Auto Power OFF after 20 min. non use	●
Low voltage alarm	●
Data output	●

### Specifications

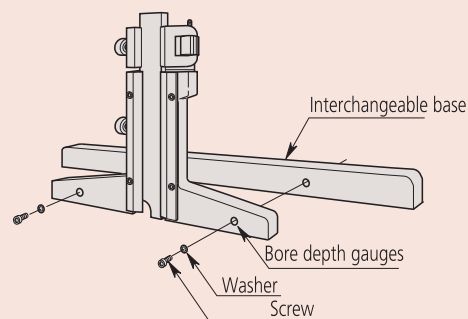
Power supply	1 battery SR-44
Max. response speed	Unlimited
Battery life	Approx. 5 years
Display	LCD, Character Height 9 mm
Delivered	In a case including 1 battery

### Optional accessories

No.	Description
06AGR543	USB-ITPAK Vers. 3.0, USB Dongle + Manual (Software available Online)
05CZA624	Digimatic Cable with Data Button IP Type, 1 m, Caliper Type
05CZA625	Digimatic Cable with Data Button IP Type, 2 m, Caliper Type
06AFM380A	USB Input Tool Direct (Digimatic to USB), 2m Cable, Digimatic/Digimatic 2, with Data Button IP Caliper Type
264-620	U-WAVE fit, IP67 Type, Wireless Transmitter for Caliper
264-621	U-WAVE fit, Buzzer Type, Wireless Transmitter for Caliper
264-624	U-WAVE fit Bluetooth, IP67 Type, Wireless Transmitter for Caliper
264-625	U-WAVE fit Bluetooth, Buzzer Type, Wireless Transmitter for Caliper
02AZF310	Connection Unit for IP Caliper, Micrometer, with Data Button for U-WAVE fit, U-WAVE fit Bluetooth
900370	Extension Base, Depth Gauge, 180mm width for up to 300mm Range
900371	Extension Base, Depth Gauge, 260mm width for up to 300mm Range
900372	Extension Base, Depth Gauge, 320mm width for up to 300mm Range

### Consumable spares

No.	Description
63AAA800	Battery SR44 1,5 V



Mounting the interchangeable base

# Vernier Depth Gauges

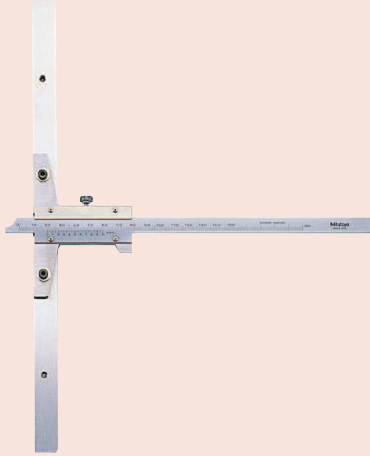
## Series 527

This vernier depth gauge offers you the following benefits:

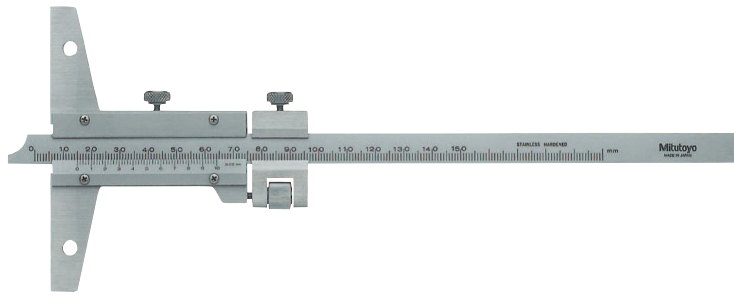
- Its base and measuring faces are hardened and micro-lapped for robustness.
- Fine adjustment models available.

### Optional accessories

No.	Description
900370	Extension Base, Depth Gauge, 180mm width for up to 300mm Range
900371	Extension Base, Depth Gauge, 260mm width for up to 300mm Range
900372	Extension Base, Depth Gauge, 320mm width for up to 300mm Range



527-201 with 900372



527-101

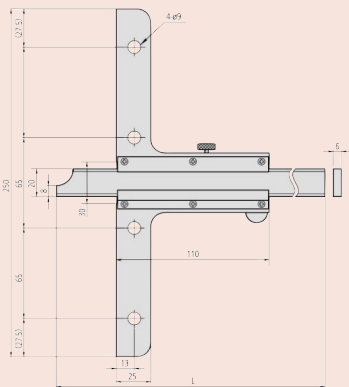
### Metric

No.	Range [mm]	Graduation	Max. Permissible Error E MPE	Base (W x T)	L [mm]	Mass [g]
527-201	0-150	0,05 mm	±0,05 mm	100 x 6,5 mm	260	240
527-121	0-150	0,02 mm	±0,03 mm	100 x 6,5 mm	260	215
527-202	0-200	0,05 mm	±0,05 mm	100 x 6,5 mm	310	260
527-122	0-200	0,02 mm	±0,03 mm	100 x 6,5 mm	310	230
527-203	0-300	0,05 mm	±0,08 mm	100 x 6,5 mm	410	300
527-123	0-300	0,02 mm	±0,04 mm	100 x 6,5 mm	410	265
527-204	0-600	0,05 mm	±0,1 mm	250 x 10 mm	800	1510
527-205	0-1000	0,05 mm	±0,15 mm	250 x 10 mm	1200	1880

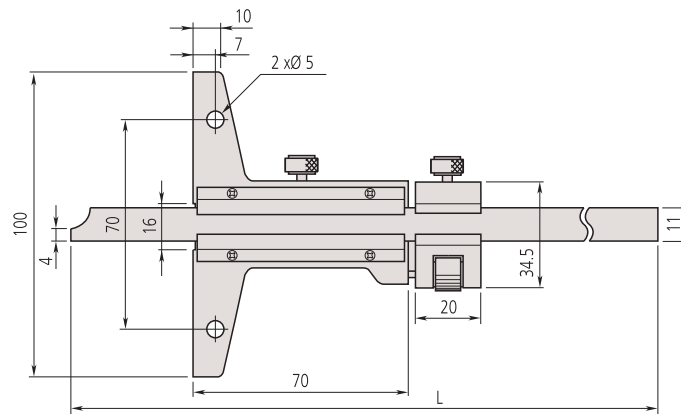
### Metric

With fine adjustment

No.	Range [mm]	Graduation	Max. Permissible Error E MPE	Base (W x T)	L [mm]	Mass [g]
527-101	0-150	0,02 mm	±0,03 mm	100 x 6,5 mm	260	280
527-102	0-200	0,02 mm	±0,03 mm	100 x 6,5 mm	310	300
527-103	0-300	0,02 mm	±0,04 mm	100 x 6,5 mm	410	350
527-104	0-600	0,02 mm	±0,05 mm	250 x 10 mm	800	1510
527-105	0-1000	0,02 mm	±0,07 mm	250 x 10 mm	1200	1880



Range: 0-600 mm, 0-1000 mm



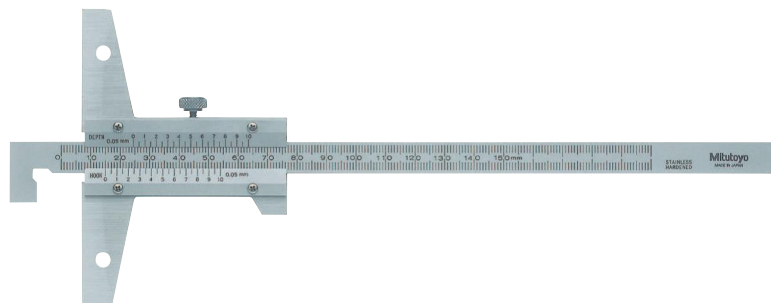
Range: 0-150 mm, 0-200 mm, 0-300 mm

# Vernier Depth Gauges Hook Type

## Series 527

This hook type vernier depth gauge offers you the following benefits:

- The end of the beam is hook-shaped so you can take depth and thickness measurements of a projected portion or lip in a hole, as well as standard depth measurements.
- Its base and measuring faces are hardened and micro-lapped for robustness.
- Fine adjustment models are available.



527-401

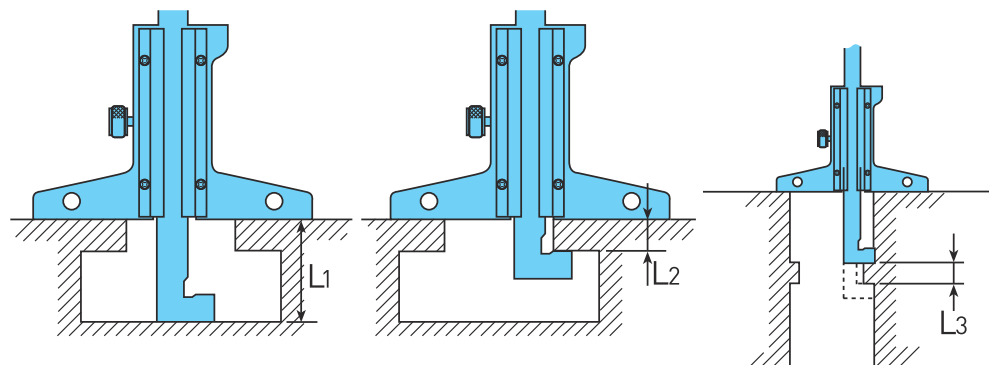
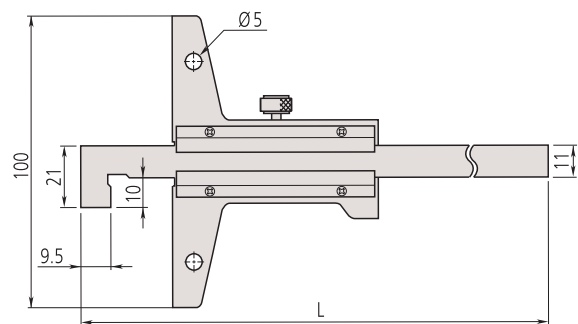
### Metric

No.	Depth range	Hook range	Graduation	Max. Permissible Error E MPE	Base (W x T)	L [mm]	Mass [g]
527-401	10,1-150 mm	0-150 mm	0,05 mm	±0,05 mm	100 x 6,5 mm	260	240
527-402	10,1-200 mm	0-200 mm	0,05 mm	±0,05 mm	100 x 6,5 mm	310	240
527-403	10,1-300 mm	0-300 mm	0,05 mm	±0,08 mm	100 x 6,5 mm	410	270

### Metric

With fine adjustment

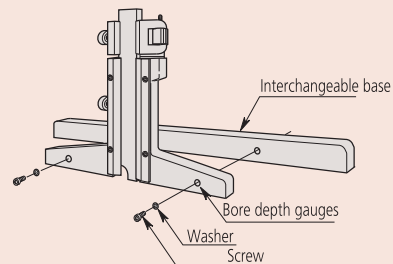
No.	Depth range	Hook range	Graduation	Max. Permissible Error E MPE	Base (W x T)	L [mm]	Mass [g]
527-411	10,1-150 mm	0-150 mm	0,02 mm	±0,03 mm	100 x 6,5 mm	260	280
527-412	10,1-200 mm	0-200 mm	0,02 mm	±0,03 mm	100 x 6,5 mm	310	300
527-413	10,1-300 mm	0-300 mm	0,02 mm	±0,04 mm	100 x 6,5 mm	410	350



L1 = depth-vernier reading / L2 = hook-vernier reading / L3 = (depth-vernier reading) - (hook-vernier reading)

### Optional accessories

No.	Description
900370	Extension Base, Depth Gauge, 180mm width for up to 300mm Range
900371	Extension Base, Depth Gauge, 260mm width for up to 300mm Range
900372	Extension Base, Depth Gauge, 320mm width for up to 300mm Range



Mounting the interchangeable base

# Tyre Tread Depth Gauges

## Series 571

This is designed to measure tyre tread depth and offers you the following benefits:

- The ABSOLUTE feature of this gauge keeps track of the origin point (once set) for the entire life of the battery.



Functions	Series 571
ORIGIN (ABS-Zero)	●
Auto Power OFF after 20 min. non use	●
Low voltage alarm	●
Data output	●

### Specifications

Power supply	1 battery SR-44
Max. response speed	Unlimited
Battery life	Approx. 5 years
Display	LCD, character height 9 mm
Delivered	Including 1 battery

### Optional accessories

No.	Description
05CZA624	Digimatic Cable with Data Button IP Type, 1 m, Caliper Type
05CZA625	Digimatic Cable with Data Button IP Type, 2 m, Caliper Type
06AFM380A	USB Input Tool Direct (Digimatic to USB), 2m Cable, Digimatic/Digimatic 2, with Data Button IP Caliper Type
264-620	U-WAVE fit, IP67 Type, Wireless Transmitter for Caliper
264-621	U-WAVE fit, Buzzer Type, Wireless Transmitter for Caliper
264-624	U-WAVE fit Bluetooth, IP67 Type, Wireless Transmitter for Caliper
264-625	U-WAVE fit Bluetooth, Buzzer Type, Wireless Transmitter for Caliper
02AZF310	Connection Unit for IP Caliper, Micrometer, with Data Button for U-WAVE fit, U-WAVE fit Bluetooth

\* optional extension base is unavailable

### Consumable spares

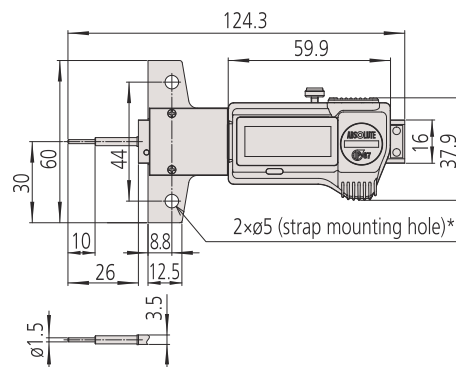
No.	Description
63AAA800	Battery SR44 1,5 V



571-100-20

### Metric

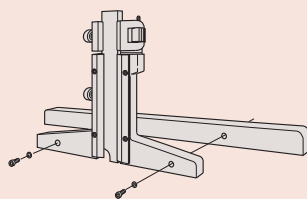
No.	Range [mm]	Digital step	Max. Permissible Error E MPE	Base (W x T)	Mass [g]
571-100-20	0-25	0,01 mm	±0,02 mm	60 x 6,2 mm	160



## Optional Accessories for Depth Calipers

### Extension bases

These optional extension bases can be fitted to depth gauge models up to 0-300 mm range. They cannot be attached to 0-450 mm, 0-600 mm, 0-750 mm and 0-1000 mm range models.



Attaching the extension base



900372

### Metric

No.	L [mm]	A [mm]	B [mm]	Number of holes	Mass [g]
900370	180	70	55	2	200
900371	260	35	60	5	270
900372	320	70	55	4	345

