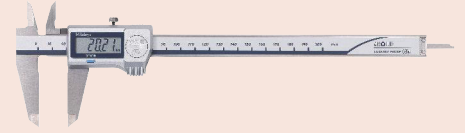
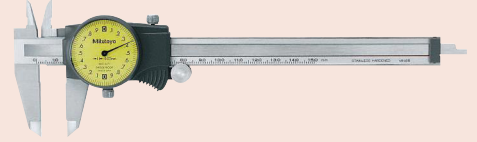


**Absolute Digimatic Calipers**  
Page 161



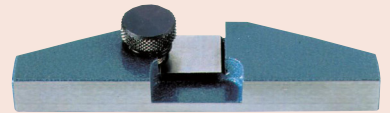
**Analog Caliper**  
Page 173



**Special Purpose Calipers**  
Page 180



**Caliper Accessories**  
Page 197



# ABSOLUTE Coolant Proof Calipers IP67

## Series 500

This IP67 ABSOLUTE digimatic caliper allows reliable measurements in a wide range of situations and offers you the following benefits:

- Excellent resistance against water and dust (IP67 protection level) enabling use in machining situations that include splashing coolant fluid
- It is dustproof, complies with EN60529 and withstands temporary complete immersion in water without suffering any damage.
- ABS (ABSOLUTE) scale requires no origin setting after power-on and has no limit to response speed.



**ABSOLUTE®**



| Functions                            | Series 500 |
|--------------------------------------|------------|
| ORIGIN (ABS-Zero)                    | ●          |
| Auto Power OFF after 20 min. non use | ●          |
| Low voltage alarm                    | ●          |

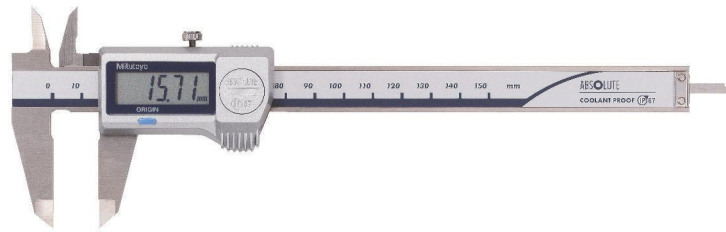
| Specifications      |   |
|---------------------|---|
| Digital step        | 0,01 mm   |
| Max. response speed | Unlimited   |
| Display             | LCD, character height<br>9 mm (150, 200 mm)<br>11 mm (300 mm) |
| Battery life        | Approx. 5 years under normal use                              |
| Delivered           | In a case, including 1 battery                                |

### Optional accessories

| No.       | Description   |
|-----------|---|
| 05CZA624  | Digimatic Cable with Data Button IP Type, 1 m, Caliper Type   |
| 05CZA625  | Digimatic Cable with Data Button IP Type, 2 m, Caliper Type   |
| 06AFM380A | USB Input Tool Direct (Digimatic to USB), 2m Cable, Digimatic/Digimatic 2, with Data Button IP Caliper Type |
| 264-620   | U-WAVE fit, IP67 Type, Wireless Transmitter for Caliper   |
| 264-621   | U-WAVE fit, Buzzer Type, Wireless Transmitter for Caliper   |
| 264-624   | U-WAVE fit Bluetooth, IP67 Type, Wireless Transmitter for Caliper   |
| 264-625   | U-WAVE fit Bluetooth, Buzzer Type, Wireless Transmitter for Caliper   |
| 02AZF310  | Connection Unit for IP Caliper, Micrometer, with Data Button for U-WAVE fit, U-WAVE fit Bluetooth           |
| 050083-10 | Depth Base Attachment for Caliper, 75mm width for 100, 150, 200mm Range                                     |
| 050084-10 | Depth Base Attachment for Caliper, 100mm width for 100, 150, 200mm Range                                    |
| 050085-10 | Depth Base Attachment for Caliper, 125mm width for 300mm Range  |

### Consumable spares

| No.      | Description        |
|----------|--------------------|
| 63AAA800 | Battery SR44 1,5 V |

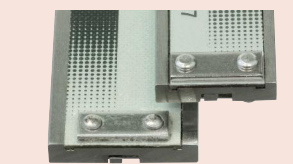


500-706-20

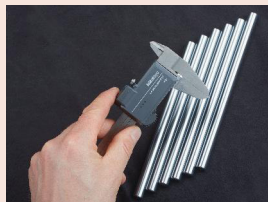
### Metric

| No.        | Range [mm] | Depth bar | Thumb roller | Data output | Max. Permissible Error E MPE | Max. Permissible Error S MPE |
|------------|------------|-----------|--------------|-------------|------------------------------|------------------------------|
| 500-706-20 | 0-150      | flat      |              |             | ±0,02 mm                     | ±0,04 mm                     |
| 500-709-20 | 0-150      | ∅ 1,9 mm  |              |             | ±0,02 mm                     | ±0,04 mm                     |
| 500-716-20 | 0-150      | flat      |              | ●           | ±0,02 mm                     | ±0,04 mm                     |
| 500-702-20 | 0-150      | flat      | ●            |             | ±0,02 mm                     | ±0,04 mm                     |
| 500-712-20 | 0-150      | flat      | ●            | ●           | ±0,02 mm                     | ±0,04 mm                     |
| 500-719-20 | 0-150      | ∅ 1,9 mm  | ●            | ●           | ±0,02 mm                     | ±0,04 mm                     |
| 500-707-20 | 0-200      | flat      |              |             | ±0,02 mm                     | ±0,04 mm                     |
| 500-717-20 | 0-200      | flat      |              | ●           | ±0,02 mm                     | ±0,04 mm                     |
| 500-703-20 | 0-200      | flat      | ●            |             | ±0,02 mm                     | ±0,04 mm                     |
| 500-713-20 | 0-200      | flat      | ●            | ●           | ±0,02 mm                     | ±0,04 mm                     |
| 500-708-20 | 0-300      | flat      |              |             | ±0,03 mm                     | ±0,05 mm                     |
| 500-718-20 | 0-300      | flat      |              | ●           | ±0,03 mm                     | ±0,05 mm                     |
| 500-704-20 | 0-300      | flat      | ●            |             | ±0,03 mm                     | ±0,05 mm                     |
| 500-714-20 | 0-300      | flat      | ●            | ●           | ±0,03 mm                     | ±0,05 mm                     |

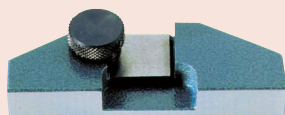
| No.        | L [mm] | A [mm] | B [mm] | C [mm] | D [mm] | H [mm] | Mass [g] |
|------------|--------|--------|--------|--------|--------|--------|----------|
| 500-706-20 | 233    | 16,5   | 21     | 14,6   | 40     | 16     | 168      |
| 500-709-20 | 233    | 16,5   | 21     | 14,6   | 40     | 16     | 168      |
| 500-716-20 | 233    | 16,5   | 21     | 14,6   | 40     | 16     | 168      |
| 500-702-20 | 233    | 16,5   | 21     | 14,6   | 40     | 16     | 168      |
| 500-712-20 | 233    | 16,5   | 21     | 14,6   | 40     | 16     | 168      |
| 500-719-20 | 233    | 16,5   | 21     | 14,6   | 40     | 16     | 168      |
| 500-707-20 | 290    | 20     | 24,5   | 18,1   | 50     | 16     | 198      |
| 500-717-20 | 290    | 20     | 24,5   | 18,1   | 50     | 16     | 198      |
| 500-703-20 | 290    | 20     | 24,5   | 18,1   | 50     | 16     | 198      |
| 500-713-20 | 290    | 20     | 24,5   | 18,1   | 50     | 16     | 198      |
| 500-708-20 | 404    | 22     | 27,5   | 19,8   | 64     | 20     | 345      |
| 500-718-20 | 404    | 22     | 27,5   | 19,8   | 64     | 20     | 345      |
| 500-704-20 | 404    | 22     | 27,5   | 19,8   | 64     | 20     | 350      |
| 500-714-20 | 404    | 22     | 27,5   | 19,8   | 64     | 20     | 350      |



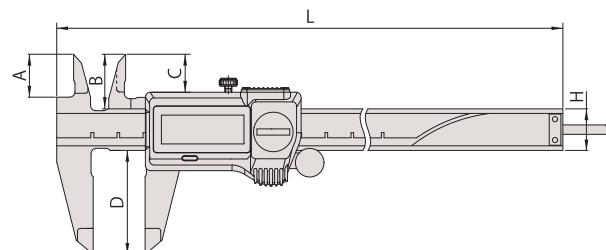
Beam 150 and 200 mm or 300 mm



With Wireless System U-WAVE fit



050083-10



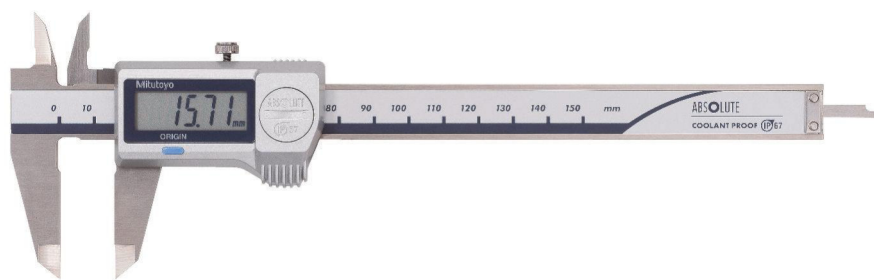
# ABSOLUTE Coolant Proof Calipers IP67 with Carbide Tipped Jaws

## Series 500

These robust calipers have carbide-tipped jaws and allow reliable measurements in a wide range of situations.

The ABSOLUTE Digimatic Carbide Caliper IP67 offers you the following benefits:

- Excellent resistance against water and dust (IP67 protection level) enabling use in machining situations that include splashing coolant fluid.
- Dustproof, complies with EN60529 withstands temporary complete immersion in water without suffering any damage
- Extraordinarily long battery life.



500-727-20

### Metric

Carbide-tipped jaws for outside/inside measurement

| No.        | Range [mm] | Depth bar | Thumb roller | Data output | Max. Permissible Error E MPE | Max. Permissible Error S MPE |
|------------|------------|-----------|--------------|-------------|------------------------------|------------------------------|
| 500-727-20 | 0-150      | flat      |              |             | ±0,02 mm                     | ±0,04 mm                     |
| 500-723-20 | 0-150      | flat      |              |             | ±0,02 mm                     | ±0,04 mm                     |
| 500-728-20 | 0-200      | flat      |              |             | ±0,02 mm                     | ±0,04 mm                     |
| 500-724-20 | 0-200      | flat      |              |             | ±0,02 mm                     | ±0,04 mm                     |

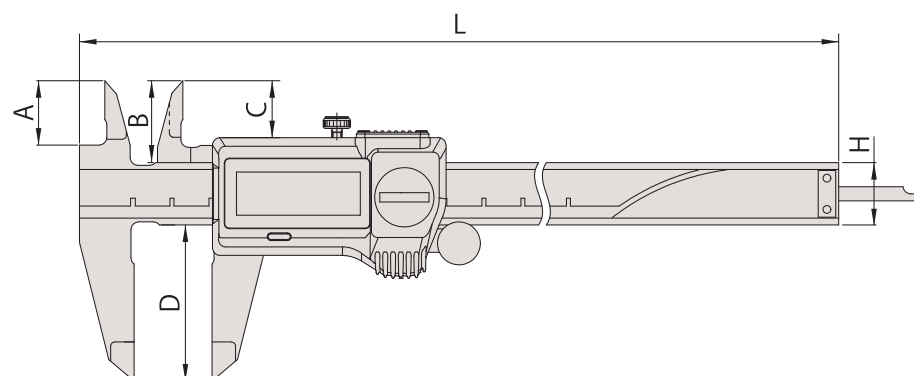
| No.        | L [mm] | A [mm] | B [mm] | C [mm] | D [mm] | H [mm] | Mass [g] |
|------------|--------|--------|--------|--------|--------|--------|----------|
| 500-727-20 | 233    | 16,5   | 21     | 14,6   | 40     | 16     | 164      |
| 500-723-20 | 233    | 16,5   | 21     | 14,6   | 40     | 16     | 168      |
| 500-728-20 | 290    | 20     | 24,5   | 18,1   | 50     | 16     | 194      |
| 500-724-20 | 290    | 20     | 24,5   | 18,1   | 50     | 16     | 198      |

### Metric

Carbide-tipped jaws for outside measurement

| No.        | Range [mm] | Depth bar | Thumb roller | Data output | Max. Permissible Error E MPE | Max. Permissible Error S MPE |
|------------|------------|-----------|--------------|-------------|------------------------------|------------------------------|
| 500-721-20 | 0-150      | flat      |              |             | ±0,02 mm                     | ±0,04 mm                     |
| 500-722-20 | 0-200      | flat      |              |             | ±0,02 mm                     | ±0,04 mm                     |

| No.        | L [mm] | A [mm] | B [mm] | C [mm] | D [mm] | H [mm] | Mass [g] |
|------------|--------|--------|--------|--------|--------|--------|----------|
| 500-721-20 | 233    | 16,5   | 21     | 14,6   | 40     | 16     | 168      |
| 500-722-20 | 290    | 20     | 24,5   | 18,1   | 50     | 16     | 198      |



ABSOLUTE®



IP67

| Functions                            | Series 500 |
|--------------------------------------|------------|
| ORIGIN (ABS-Zero)                    |            |
| Auto Power OFF after 20 min. non use |            |
| Low voltage alarm                    |            |

### Specifications

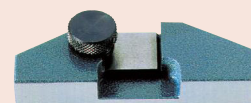
|                     |                                  |
|---------------------|----------------------------------|
| Digital step        | 0,01 mm                          |
| Max. response speed | Unlimited                        |
| Display             | LCD, character height 9 mm       |
| Battery life        | Approx. 5 years under normal use |
| Delivered           | In a case, including 1 battery   |

### Optional accessories

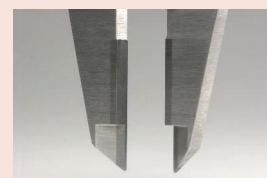
| No.       | Description   |
|-----------|---|
| 05CZA624  | Digimatic Cable with Data Button IP Type, 1 m, Caliper Type   |
| 05CZA625  | Digimatic Cable with Data Button IP Type, 2 m, Caliper Type   |
| 06AFM380A | USB Input Tool Direct (Digimatic to USB), 2m Cable, Digimatic/Digimatic 2, with Data Button IP Caliper Type |
| 264-620   | U-WAVE fit, IP67 Type, Wireless Transmitter for Caliper   |
| 264-621   | U-WAVE fit, Buzzer Type, Wireless Transmitter for Caliper   |
| 264-624   | U-WAVE fit Bluetooth, IP67 Type, Wireless Transmitter for Caliper   |
| 264-625   | U-WAVE fit Bluetooth, Buzzer Type, Wireless Transmitter for Caliper   |
| 02AZF310  | Connection Unit for IP Caliper, Micrometer, with Data Button for U-WAVE fit, U-WAVE fit Bluetooth           |
| 050083-10 | Depth Base Attachment for Caliper, 75mm width for 100, 150, 200mm Range                                     |
| 050084-10 | Depth Base Attachment for Caliper, 100mm width for 100, 150, 200mm Range                                    |

### Consumable spares

| No.      | Description        |
|----------|--------------------|
| 63AAA800 | Battery SR44 1,5 V |



050083-10



Carbide-tipped jaws

# ABSOLUTE AOS Digimatic Calipers

ABSOLUTE®



## Series 500

This digimatic caliper allows you to take reliable measurements and offers you the following benefits:

- AOS (Advanced Onsite Sensor) induction type encoder used in top-of-the-line ABS coolant-proof calipers
- Thanks to the adoption of the electromagnetic induction type ABS encoder, this caliper can be used without concern for contamination on the scale face during measurement. Detection signal is not affected by dirt (water, oil, etc.) on surface of a scale.
- ABS (ABSOLUTE) scale requires no origin setting after power-on and has no limit to response speed.

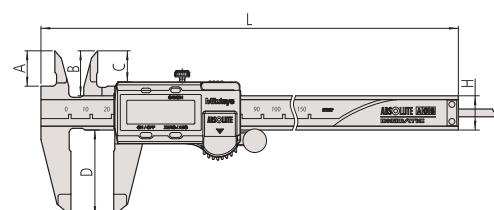


500-181-30

### Metric

| No.        | Range [mm] | Depth bar | Thumb roller | Data output | Max. Permissible Error E MPE | Max. Permissible Error S MPE |
|------------|------------|-----------|--------------|-------------|------------------------------|------------------------------|
| 500-180-30 | 0-100      | ∅ 1,9 mm  |              |             | ±0,02 mm                     | ±0,04 mm                     |
| 500-201-30 | 0-100      | ∅ 1,9 mm  |              | ●           | ±0,02 mm                     | ±0,04 mm                     |
| 500-150-30 | 0-100      | ∅ 1,9 mm  | ●            | ●           | ±0,02 mm                     | ±0,04 mm                     |
| 500-181-30 | 0-150      | flat      |              |             | ±0,02 mm                     | ±0,04 mm                     |
| 500-184-30 | 0-150      | ∅ 1,9 mm  |              |             | ±0,02 mm                     | ±0,04 mm                     |
| 500-161-30 | 0-150      | flat      |              | ●           | ±0,02 mm                     | ±0,04 mm                     |
| 500-203-30 | 0-150      | ∅ 1,9 mm  |              | ●           | ±0,02 mm                     | ±0,04 mm                     |
| 500-151-30 | 0-150      | flat      | ●            | ●           | ±0,02 mm                     | ±0,04 mm                     |
| 500-158-30 | 0-150      | ∅ 1,9 mm  | ●            | ●           | ±0,02 mm                     | ±0,04 mm                     |
| 500-182-30 | 0-200      | flat      |              | ●           | ±0,02 mm                     | ±0,04 mm                     |
| 500-162-30 | 0-200      | flat      |              | ●           | ±0,02 mm                     | ±0,04 mm                     |
| 500-152-30 | 0-200      | flat      | ●            | ●           | ±0,02 mm                     | ±0,04 mm                     |
| 500-205-30 | 0-300      | flat      |              | ●           | ±0,03 mm                     | ±0,05 mm                     |
| 500-153-30 | 0-300      | flat      | ●            | ●           | ±0,03 mm                     | ±0,05 mm                     |

| No.        | L [mm] | A [mm] | B [mm] | C [mm] | D [mm] | H [mm] | Mass [g] |
|------------|--------|--------|--------|--------|--------|--------|----------|
| 500-180-30 | 182    | 16,5   | 21     | 14,5   | 40     | 16     | 143      |
| 500-201-30 | 182    | 16,5   | 21     | 14,5   | 40     | 16     | 143      |
| 500-150-30 | 182    | 16,5   | 21     | 14,5   | 40     | 16     | 143      |
| 500-181-30 | 233    | 16,5   | 21     | 14,5   | 40     | 16     | 168      |
| 500-184-30 | 233    | 16,5   | 21     | 14,5   | 40     | 16     | 168      |
| 500-161-30 | 233    | 16,5   | 21     | 14,5   | 40     | 16     | 168      |
| 500-203-30 | 233    | 16,5   | 21     | 14,5   | 40     | 16     | 168      |
| 500-151-30 | 233    | 16,5   | 21     | 14,5   | 40     | 16     | 168      |
| 500-158-30 | 233    | 16,5   | 21     | 14,5   | 40     | 16     | 168      |
| 500-182-30 | 290    | 20     | 24,5   | 18     | 50     | 16     | 194      |
| 500-162-30 | 290    | 20     | 24,5   | 18     | 50     | 16     | 194      |
| 500-152-30 | 290    | 20     | 24,5   | 18     | 50     | 16     | 198      |
| 500-205-30 | 404    | 22     | 27,5   | 19,8   | 64     | 20     | 345      |
| 500-153-30 | 404    | 22     | 27,5   | 19,8   | 64     | 20     | 350      |



| Functions            | Series 500 |
|----------------------|------------|
| ORIGIN (ABS-Zero)    | ●          |
| ON/OFF               | ●          |
| ABS / INC (INC ZERO) | ●          |
| Low voltage alarm    | ●          |

### Specifications

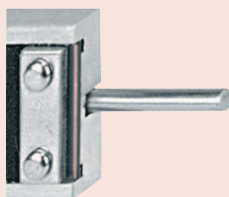
|                     |   |
|---------------------|---|
| Digital step        | 0,01 mm   |
| Max. response speed | Unlimited   |
| Display             | LCD, character height<br>9 mm (150, 200 mm)<br>11 mm (300 mm) |
| Battery life        | Approx. 5 years under normal use                              |
| Delivered           | In a case, including 1 battery                                |

### Optional accessories

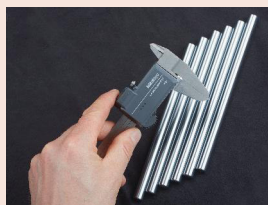
| No.       | Description   |
|-----------|---|
| 959149    | Digimatic Cable, Straight, Data Button, 1 m   |
| 959150    | Digimatic Cable, Straight, Data Button, 2 m   |
| 06AFM380C | USB Input Tool Direct (Digimatic to USB), 2m Cable, Digimatic/Digimatic 2, Straight, with Data Button |
| 264-620   | U-WAVE fit, IP67 Type, Wireless Transmitter for Caliper   |
| 264-621   | U-WAVE fit, Buzzer Type, Wireless Transmitter for Caliper   |
| 264-624   | U-WAVE fit Bluetooth, IP67 Type, Wireless Transmitter for Caliper                                     |
| 264-625   | U-WAVE fit Bluetooth, Buzzer Type, Wireless Transmitter for Caliper                                   |
| 02AZF300  | Connection Unit for Standard Caliper, with Data Button for U-WAVE fit, U-WAVE fit Bluetooth           |
| 959143    | Data Hold Unit, for Digital Caliper   |
| 050083-10 | Depth Base Attachment for Caliper, 75mm width for 100, 150, 200mm Range                               |
| 050084-10 | Depth Base Attachment for Caliper, 100mm width for 100, 150, 200mm Range                              |
| 050085-10 | Depth Base Attachment for Caliper, 125mm width for 300mm Range  |

### Consumable spares

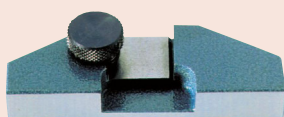
| No.      | Description        |
|----------|--------------------|
| 63AAA800 | Battery SR44 1,5 V |



Round depth bar type



Caliper with Wireless System U-WAVE fit



050083-10

# ABSOLUTE AOS Digimatic Calipers with Carbide Tipped Jaws

## Series 500

These Digimatic calipers have carbide-tipped jaws and allow you to take reliable measurements and offer you the following benefits:

- Thanks to the adoption of the electromagnetic induction type ABS encoder, this caliper can be used without concern for contamination on the scale face during measurement. Detection signal is not affected by dirt (water, oil, etc.) on surface of a scale.
- The slider provides smooth, stable and comfortable operation.
- Character height: 9 mm (alleviation of fatigue with the high-contrast LCD)
- The ABS (ABSOLUTE) scale requires no origin setting after power-on and also has no limit to response speed.
- Extraordinary battery life.

**ABSOLUTE**



500-233-30

### Metric

Carbide-tipped jaws for outside/inside measurement

| No.        | Range [mm] | Depth bar | Thumb roller | Data output | Max. Permissible Error E MPE | Max. Permissible Error S MPE |
|------------|------------|-----------|--------------|-------------|------------------------------|------------------------------|
| 500-234-30 | 0-150      | Flat      |              |             | ±0,02 mm                     | ±0,04 mm                     |
| 500-155-30 | 0-150      | Flat      |              |             | ±0,02 mm                     | ±0,04 mm                     |
| 500-236-30 | 0-200      | Flat      |              |             | ±0,02 mm                     | ±0,04 mm                     |
| 500-157-30 | 0-200      | Flat      |              |             | ±0,02 mm                     | ±0,04 mm                     |

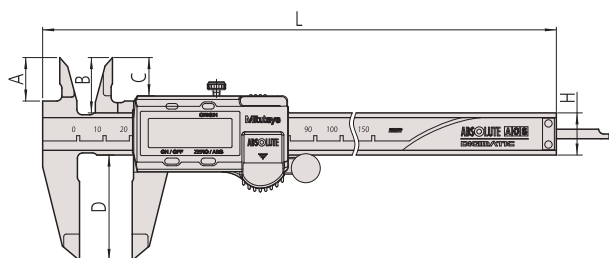
| No.        | L [mm] | A [mm] | B [mm] | C [mm] | D [mm] | H [mm] | Mass [g] |
|------------|--------|--------|--------|--------|--------|--------|----------|
| 500-234-30 | 233    | 16,5   | 21     | 14,5   | 40     | 16     | 168      |
| 500-155-30 | 233    | 16,5   | 21     | 14,5   | 40     | 16     | 168      |
| 500-236-30 | 290    | 20     | 24,5   | 18     | 50     | 16     | 194      |
| 500-157-30 | 290    | 20     | 24,5   | 18     | 50     | 16     | 194      |

### Metric

Carbide-tipped jaws for outside measurement

| No.        | Range [mm] | Depth bar | Thumb roller | Data output | Max. Permissible Error E MPE | Max. Permissible Error S MPE |
|------------|------------|-----------|--------------|-------------|------------------------------|------------------------------|
| 500-233-30 | 0-150      | Flat      |              |             | ±0,02 mm                     | ±0,04 mm                     |
| 500-154-30 | 0-150      | Flat      |              |             | ±0,02 mm                     | ±0,04 mm                     |
| 500-235-30 | 0-200      | Flat      |              |             | ±0,02 mm                     | ±0,04 mm                     |
| 500-156-30 | 0-200      | Flat      |              |             | ±0,02 mm                     | ±0,04 mm                     |

| No.        | L [mm] | A [mm] | B [mm] | C [mm] | D [mm] | H [mm] | Mass [g] |
|------------|--------|--------|--------|--------|--------|--------|----------|
| 500-233-30 | 233    | 16,5   | 21     | 14,5   | 40     | 16     | 168      |
| 500-154-30 | 233    | 16,5   | 21     | 14,5   | 40     | 16     | 168      |
| 500-235-30 | 290    | 20     | 24,5   | 18     | 50     | 16     | 194      |
| 500-156-30 | 290    | 20     | 24,5   | 18     | 50     | 16     | 194      |



| Functions            | Series 500 |
|----------------------|------------|
| ORIGIN (ABS-Zero)    |            |
| ON/OFF               |            |
| ABS / INC (INC ZERO) |            |
| Low voltage alarm    |            |

### Specifications

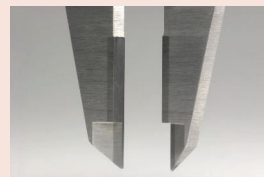
|                     |                                  |
|---------------------|----------------------------------|
| Digital step        | 0,01 mm                          |
| Max. response speed | Unlimited                        |
| Display             | LCD, character height 9 mm       |
| Battery life        | Approx. 5 years under normal use |
| Delivered           | In a case, including 1 battery   |

### Optional accessories

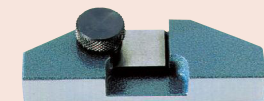
| No.       | Description   |
|-----------|---|
| 959149    | Digimatic Cable, Straight, Data Button, 1 m   |
| 959150    | Digimatic Cable, Straight, Data Button, 2 m   |
| 06AFM380C | USB Input Tool Direct (Digimatic to USB), 2m Cable, Digimatic/Digimatic 2, Straight, with Data Button |
| 264-620   | U-WAVE fit, IP67 Type, Wireless Transmitter for Caliper   |
| 264-621   | U-WAVE fit, Buzzer Type, Wireless Transmitter for Caliper   |
| 264-624   | U-WAVE fit Bluetooth, IP67 Type, Wireless Transmitter for Caliper                                     |
| 264-625   | U-WAVE fit Bluetooth, Buzzer Type, Wireless Transmitter for Caliper                                   |
| 02AZF300  | Connection Unit for Standard Caliper, with Data Button for U-WAVE fit, U-WAVE fit Bluetooth           |
| 959143    | Data Hold Unit, for Digital Caliper   |
| 050083-10 | Depth Base Attachment for Caliper, 75mm width for 100, 150, 200mm Range                               |
| 050084-10 | Depth Base Attachment for Caliper, 100mm width for 100, 150, 200mm Range                              |

### Consumable spares

| No.      | Description        |
|----------|--------------------|
| 63AAA800 | Battery SR44 1,5 V |



Carbide-tipped jaws



050083-10

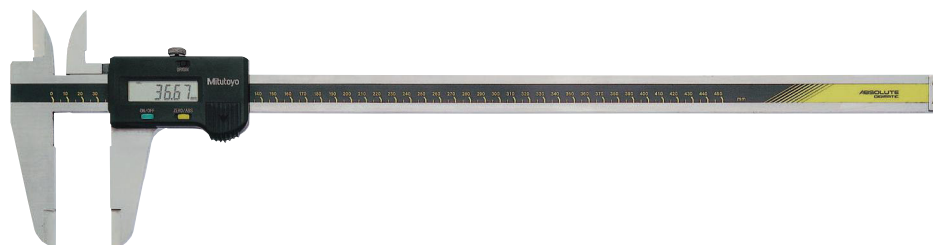
# ABSOLUTE Digimatic Calipers for Long Range

ABSOLUTE®

## Series 500

This digimatic caliper allows you to take reliable measurements and offers you the following benefits:

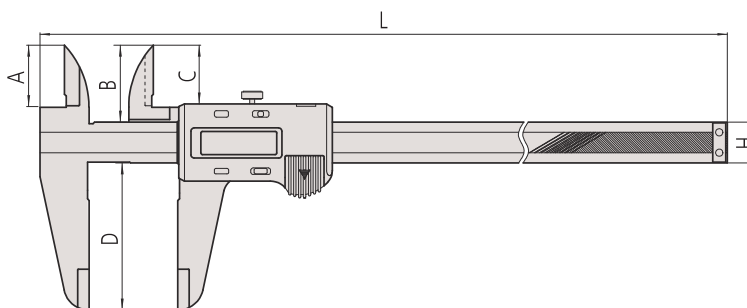
- It has a robust design (6 x 25 mm beam) for large measuring ranges.
- ABSOLUTE System delivers reliable measurements.
- The slider provides smooth, stable and comfortable operation.
- Character height: 10 mm.



500-500-10

### Metric

| No.        | Range [mm] | Max. Permissible Error E MPE | Max. Permissible Error S MPE | L [mm] | A [mm] | B [mm] | C [mm] | D [mm] | H [mm] | Mass [g] |
|------------|------------|------------------------------|------------------------------|--------|--------|--------|--------|--------|--------|----------|
| 500-500-10 | 0-450      | ±0,05 mm                     | ±0,07 mm                     | 630    | 38     | 47     | 35,9   | 90     | 25     | 1170     |
| 500-501-10 | 0-600      | ±0,05 mm                     | ±0,07 mm                     | 780    | 38     | 47     | 35,9   | 90     | 25     | 1350     |
| 500-502-10 | 0-1000     | ±0,07 mm                     | ±0,09 mm                     | 1240   | 50     | 60     | 49,8   | 130    | 32     | 3300     |



| Functions         | Series 500 |
|-------------------|------------|
| ORIGIN (ABS-Zero) | ●          |
| ON/OFF            | ●          |
| Low voltage alarm | ●          |
| Data output       | ●          |

### Specifications

|                     |                                    |
|---------------------|------------------------------------|
| Digital step        | 0,01 mm                            |
| Max. response speed | Unlimited                          |
| Display             | LCD, character height 10 mm        |
| Battery life        | Approx. 3,5 years under normal use |
| Delivered           | In a case, including 1 battery     |

### Optional accessories

| No.       | Description   |
|-----------|---|
| 959149    | Digimatic Cable, Straight, Data Button, 1 m   |
| 959150    | Digimatic Cable, Straight, Data Button, 2 m   |
| 06AFM380C | USB Input Tool Direct (Digimatic to USB), 2m Cable, Digimatic/Digimatic 2, Straight, with Data Button |
| 02AZD730G | U-WAVE-T, IP67 Type, Wireless Transmitter   |
| 02AZD880G | U-WAVE-T, Buzzer Type, Wireless Transmitter   |
| 02AZD790C | Connection Cable C for U-WAVE, Straight, with Data Button   |
| 959143    | Data Hold Unit, for Digital Caliper   |
| 264-620   | U-WAVE fit, IP67 Type, Wireless Transmitter for Caliper   |
| 264-621   | U-WAVE fit, Buzzer Type, Wireless Transmitter for Caliper   |
| 264-624   | U-WAVE fit Bluetooth, IP67 Type, Wireless Transmitter for Caliper                                     |
| 264-625   | U-WAVE fit Bluetooth, Buzzer Type, Wireless Transmitter for Caliper                                   |

### Consumable spares

| No.      | Description        |
|----------|--------------------|
| 63AAA800 | Battery SR44 1,5 V |

# ABSOLUTE Digimatic Calipers with Nib Style Jaws

## Series 550

This is a Digimatic caliper with nib-style jaws that lets you measure inside dimensions.

It offers you the following benefits:

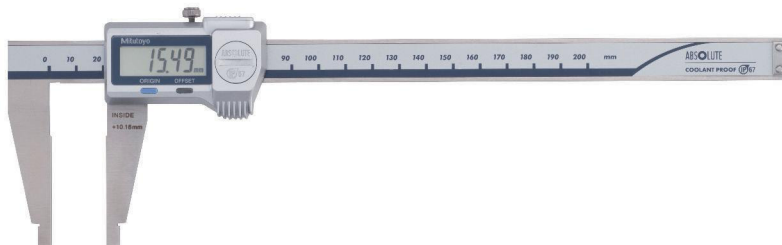
- Rounded measuring surfaces enable you to measure inside dimensions.
- ABSOLUTE System delivers reliable measurements.



**ABSOLUTE®**



550-301-20  
550-331-20



550-301-20

### Metric IP67 model

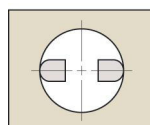
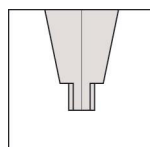
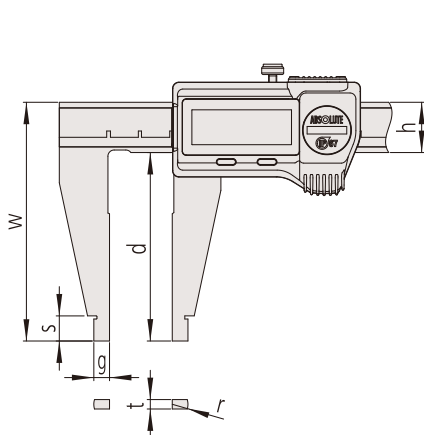
| No.        | Range [mm] | Inside measuring from | Max. Permissible Error E MPE | Max. Permissible Error S MPE |
|------------|------------|-----------------------|------------------------------|------------------------------|
| 550-301-20 | 0-200      | 10,1 mm               | ±0,03 mm                     | ±0,03 mm                     |
| 550-331-20 | 0-300      | 10,1 mm               | ±0,04 mm                     | ±0,04 mm                     |

| No.        | L [mm] | d [mm] | g [mm] | s [mm] | w [mm] | h [mm] | t [mm] | R [mm] | Mass [g] |
|------------|--------|--------|--------|--------|--------|--------|--------|--------|----------|
| 550-301-20 | 290    | 60     | 5      | 8      | 76     | 16     | 3      | 5      | 180      |
| 550-331-20 | 404    | 75     | 5      | 12     | 95     | 20     | 3,8    | 5      | 365      |

### Metric Non IP67 model

| No.        | Range [mm] | Inside measuring from | Max. Permissible Error E MPE | Max. Permissible Error S MPE |
|------------|------------|-----------------------|------------------------------|------------------------------|
| 550-203-10 | 0-450      | 20,1 mm               | ±0,05 mm                     | ±0,05 mm                     |
| 550-205-10 | 0-600      | 20,1 mm               | ±0,05 mm                     | ±0,05 mm                     |
| 550-207-10 | 0-1000     | 20,1 mm               | ±0,07 mm                     | ±0,07 mm                     |

| No.        | L [mm] | d [mm] | g [mm] | s [mm] | w [mm] | h [mm] | t [mm] | R [mm] | Mass [g] |
|------------|--------|--------|--------|--------|--------|--------|--------|--------|----------|
| 550-203-10 | 630    | 100    | 10     | 18     | 125    | 25     | 6      | 10     | 1110     |
| 550-205-10 | 780    | 100    | 10     | 18     | 125    | 25     | 6      | 10     | 1290     |
| 550-207-10 | 1240   | 140    | 10     | 24     | 172    | 32     | 8      | 10     | 3350     |



Round surfaces of jaws for measuring inside dimensions

| Functions                            | Series 550                  |            |            |
|--------------------------------------|-----------------------------|------------|------------|
|                                      | 550-203-10 up to 550-207-10 | 550-301-20 | 550-331-20 |
| ORIGIN (ABS-Zero)                    | ●                           | ●          | ●          |
| PRESET                               |                             |            | ●          |
| ON/OFF                               | ●                           |            |            |
| Auto Power OFF after 20 min. non use |                             | ●          | ●          |
| Low voltage alarm                    | ●                           | ●          | ●          |
| Data output                          | ●                           | ●          | ●          |

### Specifications

|                     |   |
|---------------------|---|
| Digital step        | 0,01 mm   |
| Max. response speed | Unlimited   |
| Display             | LCD, character height: 9 mm (200 mm), 11 mm (300 mm), 10 mm (>300 mm) |
| OFFSET              | 10 mm (IP67 type only)  |
| Battery life        | Approx. 5 years, 3,5 years (>300 mm)                                  |
| Delivered           | In a case, including 1 battery  |

### Optional accessories

| No.       | Description   |
|-----------|---|
| 959149    | Digimatic Cable, Straight, Data Button, 1 m   |
| 959150    | Digimatic Cable, Straight, Data Button, 2 m   |
| 06AFM380C | USB Input Tool Direct (Digimatic to USB), 2m Cable, Digimatic/Digimatic 2, Straight, with Data Button |
| 02AZD880G | U-WAVE-T, Buzzer Type, Wireless Transmitter   |
| 02AZD730G | U-WAVE-T, IP67 Type, Wireless Transmitter   |
| 02AZD790C | Connection Cable C for U-WAVE, Straight, with Data Button   |
| 959143    | Data Hold Unit, for Digital Caliper   |

### Optional accessories for IP67

| No.       | Description   |
|-----------|---|
| 05CZA624  | Digimatic Cable with Data Button IP Type, 1 m, Caliper Type   |
| 05CZA625  | Digimatic Cable with Data Button IP Type, 2 m, Caliper Type   |
| 06AFM380A | USB Input Tool Direct (Digimatic to USB), 2m Cable, Digimatic/Digimatic 2, with Data Button IP Caliper Type |
| 264-620   | U-WAVE fit, IP67 Type, Wireless Transmitter for Caliper   |
| 264-621   | U-WAVE fit, Buzzer Type, Wireless Transmitter for Caliper   |
| 264-624   | U-WAVE fit Bluetooth, IP67 Type, Wireless Transmitter for Caliper   |
| 264-625   | U-WAVE fit Bluetooth, Buzzer Type, Wireless Transmitter for Caliper   |
| 02AZF310  | Connection Unit for IP Caliper, Micrometer, with Data Button for U-WAVE fit, U-WAVE fit Bluetooth           |

### Consumable spares

| No.      | Description        |
|----------|--------------------|
| 63AAA800 | Battery SR44 1,5 V |



Wireless System U-WAVE fit (IP67 model only)

# ABSOLUTE Digimatic Calipers with Nib Style and Standard Jaws

## Series 551

This is a Digimatic caliper with nib-style and standard jaws. It offers you the following benefits:

- Knife-shaped measuring surfaces allow you to take outside measurements.
- Rounded measuring surfaces enable you to measure inside dimensions.
- ABSOLUTE System delivers reliable measurements.



**ABSOLUTE®**



551-301-20  
551-331-20

| Series 551                           |                             |            |            |
|--------------------------------------|-----------------------------|------------|------------|
|                                      | 551-204-10 up to 551-207-10 | 551-301-20 | 551-331-20 |
| <b>Functions</b>                     |                             |            |            |
| ORIGIN (ABS-Zero)                    | ●                           | ●          | ●          |
| PRESET ON/OFF                        | ●                           | ●          | ●          |
| Auto Power OFF after 20 min. non use | ●                           | ●          | ●          |
| Low voltage alarm                    | ●                           | ●          | ●          |
| Data output                          | ●                           | ●          | ●          |

### Specifications

|                     |  |
|---------------------|--|
| Digital step        | 0,01 mm  |
| Max. response speed | Unlimited  |
| Display             | LCD, character height:<br>9 mm (200 mm),<br>11 mm (300 mm),<br>10 mm (>300 mm) |
| OFFSET              | 10 mm (IP67 type only)   |
| Battery life        | Approx. 5 years,<br>3,5 year (>300 mm)   |
| Delivered           | In a case, including<br>1 battery  |

### Optional accessories

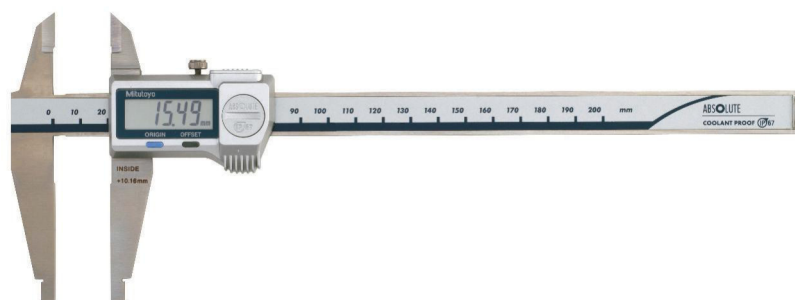
| No.       | Description   |
|-----------|---|
| 959149    | Digimatic Cable, Straight, Data Button, 1 m   |
| 959150    | Digimatic Cable, Straight, Data Button, 2 m   |
| 06AFM380C | USB Input Tool Direct (Digimatic to USB), 2m Cable, Digimatic/Digimatic 2, Straight, with Data Button |
| 02AZD880G | U-WAVE-T, Buzzer Type, Wireless Transmitter   |
| 02AZD730G | U-WAVE-T, IP67 Type, Wireless Transmitter   |
| 02AZD790C | Connection Cable C for U-WAVE, Straight, with Data Button   |
| 959143    | Data Hold Unit, for Digital Caliper   |

### Optional accessories for IP67

| No.       | Description   |
|-----------|---|
| 05CZA625  | Digimatic Cable with Data Button IP Type, 2 m, Caliper Type   |
| 05CZA624  | Digimatic Cable with Data Button IP Type, 1 m, Caliper Type   |
| 06AFM380A | USB Input Tool Direct (Digimatic to USB), 2m Cable, Digimatic/Digimatic 2, with Data Button IP Caliper Type |
| 264-620   | U-WAVE fit, IP67 Type, Wireless Transmitter for Caliper   |
| 264-621   | U-WAVE fit, Buzzer Type, Wireless Transmitter for Caliper   |
| 264-624   | U-WAVE fit Bluetooth, IP67 Type, Wireless Transmitter for Caliper   |
| 264-625   | U-WAVE fit Bluetooth, Buzzer Type, Wireless Transmitter for Caliper   |
| 02AZF310  | Connection Unit for IP Caliper, Micrometer, with Data Button for U-WAVE fit, U-WAVE fit Bluetooth           |

### Consumable spares

| No.      | Description        |
|----------|--------------------|
| 63AAA800 | Battery SR44 1,5 V |



551-301-20

### Metric

IP67 model

| No.        | Range [mm] | Inside measuring from | Max. Permissible Error E MPE | Max. Permissible Error S MPE |
|------------|------------|-----------------------|------------------------------|------------------------------|
| 551-301-20 | 0-200      | 10,1 mm               | ±0,03 mm                     | ±0,03 mm                     |
| 551-331-20 | 0-300      | 10,1 mm               | ±0,04 mm                     | ±0,04 mm                     |

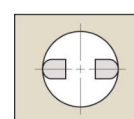
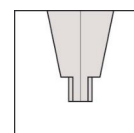
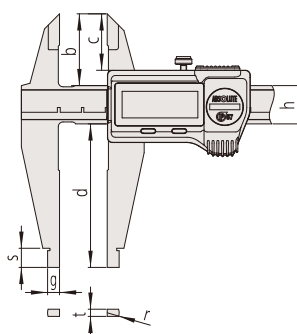
| No.        | L [mm] | b [mm] | c [mm] | d [mm] | g [mm] | s [mm] | h [mm] | t [mm] | R [mm] | Mass [g] |
|------------|--------|--------|--------|--------|--------|--------|--------|--------|--------|----------|
| 551-301-20 | 290    | 30     | 23,6   | 60     | 5      | 8      | 16     | 3      | 5      | 190      |
| 551-331-20 | 404    | 40     | 32,2   | 90     | 5      | 10     | 20     | 3,8    | 5      | 400      |

### Metric

Non IP67 model

| No.        | Range [mm] | Inside measuring from | Max. Permissible Error E MPE | Max. Permissible Error S MPE |
|------------|------------|-----------------------|------------------------------|------------------------------|
| 551-204-10 | 0-500      | 20,1 mm               | ±0,06 mm                     | ±0,06 mm                     |
| 551-206-10 | 0-750      | 20,1 mm               | ±0,06 mm                     | ±0,06 mm                     |
| 551-207-10 | 0-1000     | 20,1 mm               | ±0,07 mm                     | ±0,07 mm                     |

| No.        | L [mm] | b [mm] | c [mm] | d [mm] | g [mm] | s [mm] | h [mm] | t [mm] | R [mm] | Mass [g] |
|------------|--------|--------|--------|--------|--------|--------|--------|--------|--------|----------|
| 551-204-10 | 680    | 56     | 44,9   | 150    | 10     | 18     | 25     | 6      | 10     | 1060     |
| 551-206-10 | 963    | 56     | 44,9   | 150    | 10     | 18     | 25     | 6      | 10     | 1410     |
| 551-207-10 | 1230   | 56     | 43,8   | 150    | 10     | 20     | 32     | 8      | 10     | 3430     |



Round surface of jaws for measuring inside dimensions

# ABSOLUTE Digimatic Carbon Fibre Calipers IP66

## Series 552

This is a lightweight standard model of Digimatic caliper with steel jaws.

It offers you the following benefits:

- Its ultra-lightweight design (with carbon fibre reinforced material) reduces total weight by up to 50%.
- It has excellent resistance against water and dust (IP66 protection level) enabling you to use it in machining situations that include splashing coolant fluid.
- Direct readout of inside measurements from the LCD (you can easily set the offset value by using the offset button).
- Preset function lets you set a desired starting point.

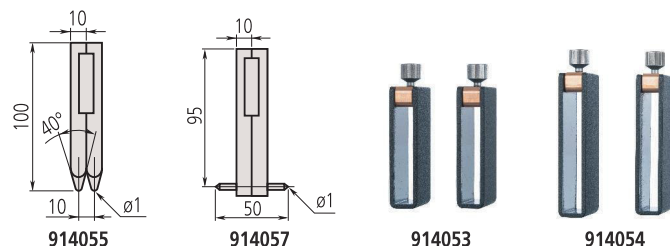
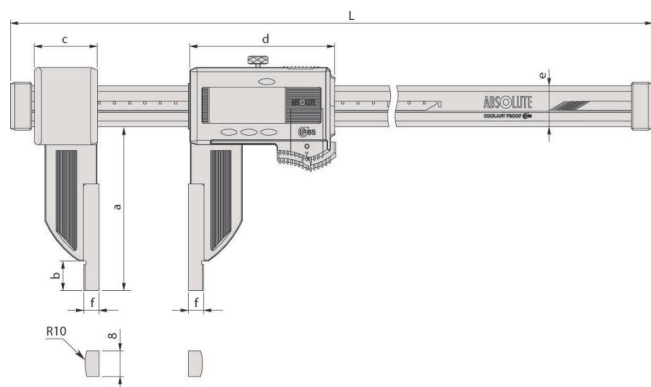


552-304-10

### Metric

| No.        | Range [mm] | Inside measuring from | Max. Permissible Error E MPE | Max. Permissible Error S MPE |
|------------|------------|-----------------------|------------------------------|------------------------------|
| 552-302-10 | 0-450      | 20,1 mm               | ±0,04 mm                     | ±0,04 mm                     |
| 552-303-10 | 0-600      | 20,1 mm               | ±0,04 mm                     | ±0,04 mm                     |
| 552-304-10 | 0-1000     | 20,1 mm               | ±0,05 mm                     | ±0,05 mm                     |
| 552-305-10 | 0-1500     | 20,1 mm               | ±0,09 mm                     | ±0,09 mm                     |
| 552-306-10 | 0-2000     | 20,1 mm               | ±0,12 mm                     | ±0,12 mm                     |

| No.        | L [mm] | a [mm] | b [mm] | c [mm] | d [mm] | e [mm] | f [mm] | Mass [g] |
|------------|--------|--------|--------|--------|--------|--------|--------|----------|
| 552-302-10 | 640    | 100    | 18     | 41,2   | 91,8   | 25     | 10     | 715      |
| 552-303-10 | 790    | 100    | 18     | 41,2   | 91,8   | 25     | 10     | 790      |
| 552-304-10 | 1230   | 150    | 24     | 62,8   | 113,8  | 32     | 10     | 1760     |
| 552-305-10 | 1740   | 150    | 24     | 62,8   | 113,8  | 32     | 10     | 2160     |
| 552-306-10 | 2250   | 150    | 24     | 62,8   | 113,8  | 32     | 10     | 2560     |



| Functions                                       | Series 552 |
|---|------------|
| DATA (output with cable) / HOLD (display value) | ●          |
| ORIGIN (ABS-Zero)                               | ●          |
| PRESET  | ●          |
| Auto Power OFF after 20 min. non use            | ●          |
| Low voltage alarm                               | ●          |
| Data output                                     | ●          |

### Specifications

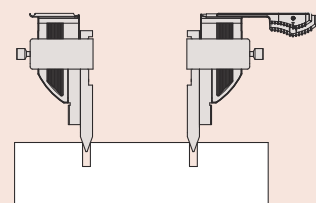
|                     |                                |
|---------------------|--------------------------------|
| Digital step        | 0,01 mm                        |
| Max. response speed | Unlimited                      |
| Display             | LCD, character height 10 mm    |
| OFFSET              | 20 mm                          |
| Battery life        | Approx. 5000 hours             |
| Delivered           | In a case, including 1 battery |

### Optional accessories

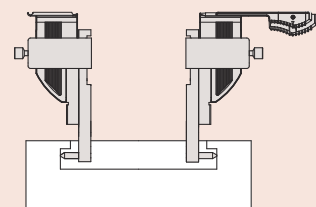
| No.       | Description   |
|-----------|---|
| 05CZA624  | Digimatic Cable with Data Button IP Type, 1 m, Caliper Type   |
| 05CZA625  | Digimatic Cable with Data Button IP Type, 2 m, Caliper Type   |
| 06AFM380A | USB Input Tool Direct (Digimatic to USB), 2m Cable, Digimatic/Digimatic 2, with Data Button IP Caliper Type |
| 02AZD880G | U-WAVE-T, Buzzer Type, Wireless Transmitter   |
| 02AZD730G | U-WAVE-T, IP67 Type, Wireless Transmitter   |
| 02AZD790A | Connection Cable A for U-WAVE, with Data Button for IP Caliper Type   |
| 914055    | Center to Center Jaws Series 552, 2 pcs., (≥10,1mm) Metric  |
| 914057    | Inside Groove Jaws Series 552, 2 pcs., Metric   |
| 914053    | Holders (Clamps) Series 552, 2 pcs., 450 and 600mm Range  |
| 914054    | Holders (Clamps) Series 552, 2 pcs., >600mm Range   |

### Consumable spares

| No.      | Description        |
|----------|--------------------|
| 63AAA800 | Battery SR44 1,5 V |



hole center to center



inside groove diameter

# ABSOLUTE Digimatic Carbon Fibre Calipers IP66 with Ceramic Jaws

## Series 552

This is a lightweight standard model of Digimatic caliper with ceramic jaws.

It offers you the following benefits:

- Its ultra-lightweight design (with carbon fibre reinforced material) reduces total weight by up to 50%.
- It has excellent resistance against water and dust (IP66 protection level) enabling you to use it in machining situations that include splashing coolant fluid.
- Direct readout of inside measurements from the LCD (you can easily set the offset value by using the offset button).
- Preset function lets you set a desired starting point.



| Functions                                       | Series 552 |
|---|------------|
| DATA (output with cable) / HOLD (display value) | ●          |
| ORIGIN (ABS-Zero)                               | ●          |
| PRESET  | ●          |
| Auto Power OFF after 20 min. non use            | ●          |
| Low voltage alarm                               | ●          |
| Data output                                     | ●          |

### Specifications

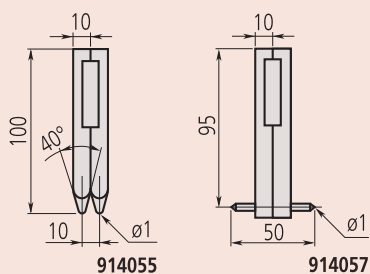
|                     |                                |
|---------------------|--------------------------------|
| Digital step        | 0,01 mm                        |
| Max. response speed | Unlimited                      |
| Display             | LCD, character height 10 mm    |
| OFFSET              | 20 mm                          |
| Battery life        | Approx. 5000 hours             |
| Delivered           | In a case, including 1 battery |

### Optional accessories

| No.       | Description   |
|-----------|---|
| 05CZA624  | Digimatic Cable with Data Button IP Type, 1 m, Caliper Type   |
| 05CZA625  | Digimatic Cable with Data Button IP Type, 2 m, Caliper Type   |
| 06AFM380A | USB Input Tool Direct (Digimatic to USB), 2m Cable, Digimatic/Digimatic 2, with Data Button IP Caliper Type |
| 02AZD880G | U-WAVE-T, Buzzer Type, Wireless Transmitter   |
| 02AZD730G | U-WAVE-T, IP67 Type, Wireless Transmitter   |
| 02AZD790A | Connection Cable A for U-WAVE, with Data Button for IP Caliper Type   |
| 914055    | Center to Center Jaws Series 552, 2 pcs., (≥10,1mm) Metric  |
| 914057    | Inside Groove Jaws Series 552, 2 pcs., Metric   |
| 914053    | Holders (Clamps) Series 552, 2 pcs., 450 and 600mm Range  |

### Consumable spares

| No.      | Description        |
|----------|--------------------|
| 63AAA800 | Battery SR44 1,5 V |

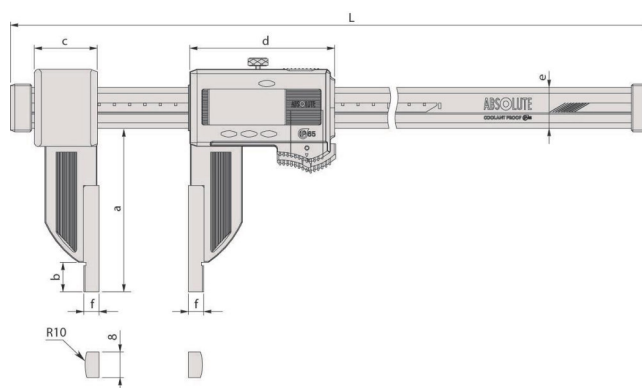


552-156-10

### Metric

| No.        | Range [mm] | Inside measuring from | Max. Permissible Error E MPE | Max. Permissible Error S MPE |
|------------|------------|-----------------------|------------------------------|------------------------------|
| 552-155-10 | 0-450      | 20,1 mm               | ±0,04 mm                     | ±0,04 mm                     |
| 552-156-10 | 0-600      | 20,1 mm               | ±0,04 mm                     | ±0,04 mm                     |

| No.        | L [mm] | a [mm] | b [mm] | c [mm] | d [mm] | e [mm] | f [mm] | Mass [g] |
|------------|--------|--------|--------|--------|--------|--------|--------|----------|
| 552-155-10 | 640    | 100    | 18     | 41,2   | 91,8   | 25     | 10     | 715      |
| 552-156-10 | 790    | 100    | 18     | 41,2   | 91,8   | 25     | 10     | 790      |



# ABSOLUTE Digimatic Carbon Fibre Calipers IP66 with Extra Long Jaws

## Series 552

This is a lightweight standard model of Digimatic caliper with extra-long jaws.

It offers you the following benefits:

- Its ultra-lightweight design (with carbon fibre reinforced material) reduces total weight by up to 50%.
- It has excellent resistance against water and dust (IP66 protection level) enabling you to use it in machining situations that include splashing coolant fluid.
- Direct readout of inside measurements from the LCD (you can easily set the offset value by using the offset button).
- Preset function lets you set a desired starting point.

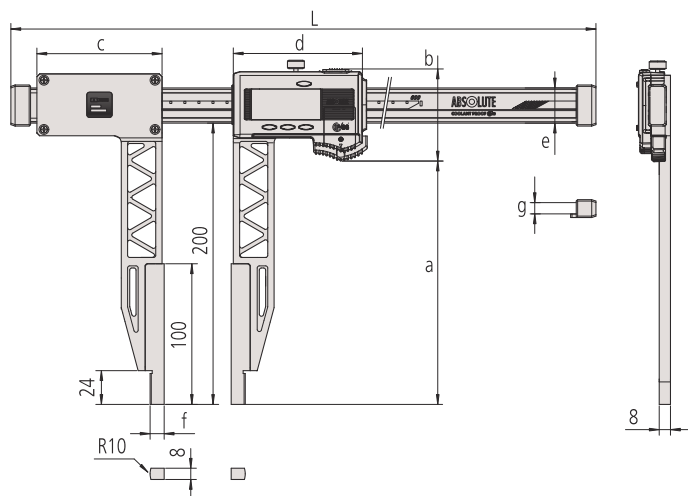


552-151-10

### Metric

| No.        | Range [mm] | Inside measuring from | Max. Permissible Error E MPE | Max. Permissible Error S MPE |
|------------|------------|-----------------------|------------------------------|------------------------------|
| 552-150-10 | 0-450      | 20,1 mm               | ±0,06 mm                     | ±0,06 mm                     |
| 552-151-10 | 0-600      | 20,1 mm               | ±0,06 mm                     | ±0,06 mm                     |
| 552-152-10 | 0-1000     | 20,1 mm               | ±0,07 mm                     | ±0,07 mm                     |
| 552-153-10 | 0-1500     | 20,1 mm               | ±0,11 mm                     | ±0,11 mm                     |
| 552-154-10 | 0-2000     | 20,1 mm               | ±0,14 mm                     | ±0,14 mm                     |

| No.        | L [mm] | a [mm] | b [mm] | c [mm] | d [mm] | e [mm] | f [mm] | g [mm] | Mass [g] |
|------------|--------|--------|--------|--------|--------|--------|--------|--------|----------|
| 552-150-10 | 680    | 173    | 65,5   | 89     | 91,8   | 25     | 10     | 8      | 1215     |
| 552-151-10 | 830    | 173    | 65,5   | 89     | 91,8   | 25     | 10     | 8      | 1290     |
| 552-152-10 | 1280   | 170,5  | 73     | 110    | 113,8  | 32     | 10     | 12     | 2090     |
| 552-153-10 | 1790   | 170,5  | 73     | 110    | 113,8  | 32     | 10     | 12     | 2490     |
| 552-154-10 | 2300   | 170,5  | 73     | 110    | 113,8  | 32     | 10     | 12     | 2890     |



| Functions                            | Series 552 |
|--------------------------------------|------------|
| ORIGIN (ABS-Zero)                    | ●          |
| PRESET                               | ●          |
| Auto Power OFF after 20 min. non use | ●          |
| Low voltage alarm                    | ●          |
| Data output                          | ●          |

### Specifications

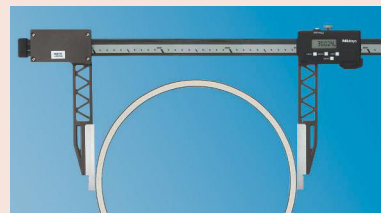
|                     |                                |
|---------------------|--------------------------------|
| Digital step        | 0,01 mm                        |
| Max. response speed | Unlimited                      |
| Display             | LCD, character height 10 mm    |
| OFFSET              | 20 mm                          |
| Battery life        | Approx. 5000 hours             |
| Delivered           | In a case, including 1 battery |

### Optional accessories

| No.       | Description   |
|-----------|---|
| 05CZA624  | Digimatic Cable with Data Button IP Type, 1 m, Caliper Type   |
| 05CZA625  | Digimatic Cable with Data Button IP Type, 2 m, Caliper Type   |
| 06AFM380A | USB Input Tool Direct (Digimatic to USB), 2m Cable, Digimatic/Digimatic 2, with Data Button IP Caliper Type |
| 02AZD880G | U-WAVE-T, Buzzer Type, Wireless Transmitter   |
| 02AZD730G | U-WAVE-T, IP67 Type, Wireless Transmitter   |
| 02AZD790A | Connection Cable A for U-WAVE, with Data Button for IP Caliper Type   |

### Consumable spares

| No.      | Description        |
|----------|--------------------|
| 63AAA800 | Battery SR44 1,5 V |



# ABSOLUTE Digimatic Carbon Fibre Calipers IP66 for Interchangeable Jaws/ Scriber

## Series 552

This is a lightweight standard model of Digimatic caliper with optional interchangeable jaws.

It offers you the following benefits:

- Its ultra-lightweight design (with carbon fibre reinforced material) reduces total weight by up to 50%.
- It has excellent resistance against water and dust (IP66 protection level) enabling you to use it in machining situations that include splashing coolant fluid.
- Direct readout of inside measurements from the LCD (you can easily set the offset value by using the offset button).
- Preset function lets you set a desired starting point.



| Functions                            | Series 552 |
|--------------------------------------|------------|
| ORIGIN (ABS-Zero)                    | ●          |
| PRESET                               | ●          |
| Auto Power OFF after 20 min. non use | ●          |
| Low voltage alarm                    | ●          |
| Data output                          | ●          |

### Specifications

|                     |   |
|---------------------|---|
| Digital step        | 0,01 mm   |
| Max. response speed | Unlimited   |
| Display             | LCD, character height 10 mm                             |
| OFFSET              | 20 mm   |
| Battery life        | Approx. 5000 hours                                      |
| Delivered           | In a case, including 1 battery, scriber clamps (2 pcs.) |

### Standard accessories

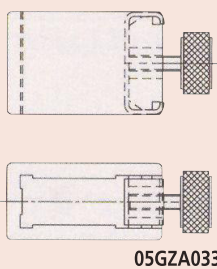
| No.      | Description                      |
|----------|----------------------------------|
| 05GZA033 | Scriber Clamp, for 9x9mm Scriber |

### Optional accessories

| No.       | Description   |
|-----------|---|
| 05CZA624  | Digimatic Cable with Data Button IP Type, 1 m, Caliper Type   |
| 05CZA625  | Digimatic Cable with Data Button IP Type, 2 m, Caliper Type   |
| 06AFM380A | USB Input Tool Direct (Digimatic to USB), 2m Cable, Digimatic/Digimatic 2, with Data Button IP Caliper Type |
| 02AZD880G | U-WAVE-T, Buzzer Type, Wireless Transmitter   |
| 02AZD730G | U-WAVE-T, IP67 Type, Wireless Transmitter   |
| 02AZD790A | Connection Cable A for U-WAVE, with Data Button for IP Caliper Type   |

### Consumable spares

| No.      | Description        |
|----------|--------------------|
| 63AAA800 | Battery SR44 1,5 V |



05GZA033



552-182-10

### Metric

| No.        | Range [mm] | Max. Permissible Error E MPE | Mass [g] | L [mm] | c [mm] | d [mm] | e [mm] |
|------------|------------|------------------------------|----------|--------|--------|--------|--------|
| 552-181-10 | 0-450      | ±0,04 mm                     | 650      | 640    | 41,2   | 91,8   | 25     |
| 552-182-10 | 0-600      | ±0,04 mm                     | 725      | 790    | 41,2   | 91,8   | 25     |
| 552-183-10 | 0-1000     | ±0,05 mm                     | 1480     | 1230   | 62,8   | 113,8  | 32     |
| 552-184-10 | 0-1500     | ±0,09 mm                     | 1880     | 1740   | 62,8   | 113,8  | 32     |
| 552-185-10 | 0-2000     | ±0,12 mm                     | 2280     | 2250   | 62,8   | 113,8  | 32     |

| Standard contact point                 | Measuring range                       |                        | 0-450 mm / 0-18"      | 0-600 mm / 0-24"      | 0-1000 mm / 0-40"     | 0-1500 mm / 0-60"     | 0-2000 mm / 0-80"     |
|--|---------------------------------------|------------------------|-----------------------|-----------------------|-----------------------|-----------------------|-----------------------|
|  | E <sub>MPE</sub>                      |                        | ± 0,06 / ± 0.0025"    | ± 0,06 / ± 0.0025"    | ± 0,07 / ± 0.0030"    | ± 0,11 / ± 0.0045"    | ± 0,14 / ± 0.0055"    |
| Inside Point type                      | Measuring range (mm)                  | IN                     | 50,1-500 mm           | 50,1-650 mm           | 50,1-1050 mm          | 50,1-1550 mm          | 50,1-2050 mm          |
|  |                                       | OUT                    | 0-450 mm              | 0-600 mm              | 0-1000 mm             | 0-1500 mm             | 0-2000 mm             |
|  | Measuring range (inch)                | IN                     | 2,004-20"             | 2,004-26"             | 2,004-42"             | 2,004-62"             | 2,004-82"             |
|  |                                       | OUT                    | 0-18"                 | 0-24"                 | 0-40"                 | 0-60"                 | 0-80"                 |
| E <sub>MPE</sub>                       |                                       | ± 0,09 mm / ± 0.0035"  | ± 0,09 mm / ± 0.0035" | ± 0,10 mm / ± 0.0040" | ± 0,14 mm / ± 0.0055" | ± 0,17 mm / ± 0.0070" |                       |
| Centerline type                        | Measuring range (mm)                  |                        | 30,1-480 mm           | 30,1-630 mm           | 30,1-1030 mm          | 30,1-1530 mm          | 30,1-2030 mm          |
|  | Measuring range (inch)                |                        | 1,204-19.2"           | 1,204-25.2"           | 1,204-41.2"           | 1,204-61.2"           | 1,204-81.2"           |
|  | S <sub>MPE</sub>                      |                        | ± 0,08 mm / ± 0.0030" | ± 0,08 mm / ± 0.0030" | ± 0,10 mm / ± 0.004"  | ± 0,13 mm / ± 0.0055" | ± 0,16 mm / ± 0.0065" |
| Scriber type                           | Measuring range (mm)                  |                        | 30,1-480 mm           | 30,1-630 mm           | 30,1-1030 mm          | 30,1-1530 mm          | 30,1-2030 mm          |
|  | Measuring range (inch)                |                        | 1,204-19.2"           | 1,204-25.2"           | 1,204-41.2"           | 1,204-61.2"           | 1,204-81.2"           |
|  | S <sub>MPE</sub>                      |                        | ± 0,11 / ± 0.0045"    | ± 0,11 / ± 0.0045"    | ± 0,11 / ± 0.0045"    | ± 0,15 / ± 0.0060"    | ± 0,18 / ± 0.0070"    |
| Surface Plate type + Scriber           | Measuring range                       |                        | 0-450 mm / 0-17.7"    | 0-600 mm / 0-23.7"    | 0-1000 mm / 0-39.4"   | 0-1500 mm / 0-59.4"   | 0-2500 mm / 0-79.6"   |
|  | E <sub>MPE</sub>                      |                        | ± 0,10 / ± 0.0040"    | ± 0,10 / ± 0.0040"    | ± 0,11 / ± 0.0045"    | ± 0,15 / ± 0.0060"    | ± 0,18 / ± 0.0070"    |
| Surface Plate type + Inside Point type | Measuring range (mm)                  | Outside                | 0-450 mm              | 0-600 mm              | 0-1000 mm             | 0-1500 mm             | 0-2000 mm             |
|  |                                       | Measuring range (inch) | 0-18"                 | 0-24"                 | 0-40"                 | 0-60"                 | 0-80"                 |
|  | E <sub>MPE</sub>                      |                        | ± 0,12 mm / ± 0.005"  | ± 0,12 mm / ± 0.0050" | ± 0,13 mm / ± 0.0055" | ± 0,17 mm / ± 0.0070" | ± 0,20 mm / ± 0.0080" |
|  | Surface Plate type + Center Line type | Measuring range (mm)   |                       | 15,1-465 mm           | 15,1-615 mm           | 15,1-1015 mm          | 15,1-1515 mm          |
| Measuring range (inch)                 |                                       | 0,6-18.6"              | 0,6-24.6"             | 0,6-40.6"             | 0,6-60.6"             | 0,6-80.6"             |                       |
| S <sub>MPE</sub>                       |                                       | ± 0,11 mm / ± 0.0045"  | ± 0,11 mm / ± 0.0045" | ± 0,12 mm / ± 0.0050" | ± 0,16 mm / ± 0.0065" | ± 0,19 mm / ± 0.0075" |                       |

Accuracy with different Interchangeable Jaws



# Vernier Calipers

## Series 530

This is a standard type of vernier caliper that offers you the following benefits:

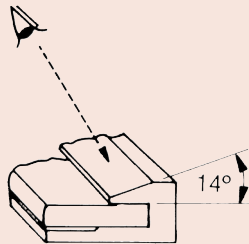
- Main scale and vernier scale satin chrome finish gives you high readability.
- Raised sliding surfaces.

### Specifications

Delivered  In a box

### Optional accessories

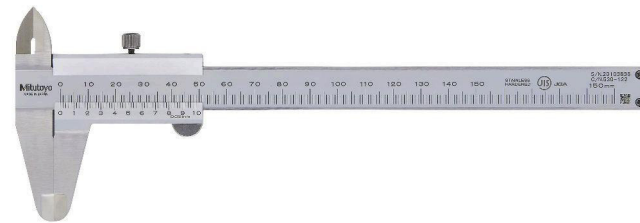
| No.       | Description  |
|-----------|--|
| 050083-10 | Depth Base Attachment for Caliper, 75mm width for 100, 150, 200mm Range  |
| 050084-10 | Depth Base Attachment for Caliper, 100mm width for 100, 150, 200mm Range |
| 050085-10 | Depth Base Attachment for Caliper, 125mm width for 300mm Range           |



Easy reading due to vernier scales inclined by 14 degrees

| Metr. ISO-Gew       |              |                            |                            |
|---------------------|--------------|----------------------------|----------------------------|
| Nenn est. ext. φ mm | Stg. Paso mm | Kern fond int. nucleo φ mm | Bohr trap mecha broca φ mm |
| 3                   | 0,5          | 2,46                       | 2,5                        |
| 4                   | 0,7          | 3,24                       | 3,3                        |
| 5                   | 0,8          | 4,13                       | 4,2                        |
| 6                   | 1            | 4,92                       | 5                          |
| 8                   | 1,25         | 6,65                       | 6,8                        |
| 10                  | 1,5          | 8,38                       | 8,5                        |
| 12                  | 1,75         | 10,11                      | 10,2                       |
| 16                  | 2            | 13,84                      | 14                         |
| 20                  | 2,5          | 17,29                      | 17,5                       |
| Whitworth           |              |                            |                            |
| φ in.               | Gg/in.       | φ mm                       | φ mm                       |
| 1/4                 | 20           | 4,72                       | 5,0                        |
| 5/16                | 18           | 6,13                       | 6,4                        |
| 3/8                 | 16           | 7,49                       | 7,7                        |
| 1/2                 | 12           | 9,99                       | 10,25                      |
| 5/8                 | 11           | 12,92                      | 13,25                      |
| 3/4                 | 10           | 15,8                       | 16,25                      |
| 7/8                 | 9            | 18,61                      | 19                         |
| 1                   | 8            | 21,34                      | 21,75                      |

530-316 only



530-122

### Metric

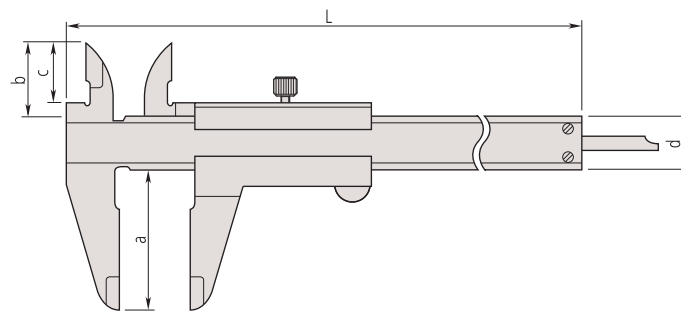
### Metric

| No.     | Range [mm] | Graduation | Depth bar | Max. Permissible Error E MPE | Max. Permissible Error S MPE | L [mm] | a [mm] | b [mm] | c [mm] | d [mm] | Mass [g] |
|---------|------------|------------|-----------|------------------------------|------------------------------|--------|--------|--------|--------|--------|----------|
| 530-122 | 0-150      | 0,02 mm    | flat      | ±0,03 mm                     | ±0,05 mm                     | 229    | 40     | 21     | 17     | 16     | 143      |
| 530-123 | 0-200      | 0,02 mm    | flat      | ±0,03 mm                     | ±0,05 mm                     | 288    | 50     | 24,5   | 20,5   | 16     | 180      |
| 530-124 | 0-300      | 0,02 mm    | flat      | ±0,04 mm                     | ±0,06 mm                     | 404    | 64     | 27,5   | 22     | 20     | 355      |
| 530-100 | 0-100      | 0,05 mm    | ∅ 1,9 mm  | ±0,05 mm                     | ±0,07 mm                     | 182    | 40     | 21,5   | 17     | 16     | 128      |
| 530-102 | 0-150      | 0,05 mm    | ∅ 1,9 mm  | ±0,05 mm                     | ±0,07 mm                     | 229    | 40     | 21     | 17     | 16     | 144      |
| 530-101 | 0-150      | 0,05 mm    | flat      | ±0,05 mm                     | ±0,07 mm                     | 229    | 40     | 21     | 17     | 16     | 143      |
| 530-108 | 0-200      | 0,05 mm    | flat      | ±0,05 mm                     | ±0,07 mm                     | 288    | 50     | 24,5   | 20,5   | 16     | 180      |
| 530-109 | 0-300      | 0,05 mm    | flat      | ±0,08 mm                     | ±0,1 mm                      | 404    | 64     | 27,5   | 22     | 20     | 355      |
| 530-501 | 0-600      | 0,05 mm    | without   | ±0,1 mm                      | ±0,12 mm                     | 780    | 90     | 47     | 38     | 25     | 1300     |
| 530-502 | 0-1000     | 0,05 mm    | without   | ±0,15 mm                     | ±0,17 mm                     | 1240   | 130    | 60     | 50     | 32     | 3300     |

### Metric/Inch

### Metric/Inch

| No.     | Range ["] | Range [mm] | Graduation         | Depth bar | Max. Permissible Error E MPE | Max. Permissible Error S MPE | L [mm] | a [mm] | b [mm] | c [mm] | d [mm] | Mass [g] |
|---------|-----------|------------|--------------------|-----------|------------------------------|------------------------------|--------|--------|--------|--------|--------|----------|
| 530-312 | 0-6       | 0-150      | 0,02 mm/<br>0,001" | flat      | ±0,03 mm                     | ±0,05 mm                     | 229    | 40     | 21     | 17     | 16     | 143      |
| 530-118 | 0-8       | 0-200      | 0,02 mm/<br>0,001" | flat      | ±0,03 mm                     | ±0,05 mm                     | 288    | 50     | 24,5   | 20,5   | 16     | 180      |
| 530-119 | 0-12      | 0-300      | 0,02 mm/<br>0,001" | flat      | ±0,04 mm                     | ±0,06 mm                     | 404    | 64     | 27,5   | 22     | 20     | 355      |
| 530-104 | 0-6       | 0-150      | 0,05 mm/<br>1/128" | flat      | ±0,05 mm                     | ±0,07 mm                     | 229    | 40     | 21     | 17     | 16     | 143      |
| 530-316 | 0-6       | 0-150      | 0,05 mm/<br>1/128" | flat      | ±0,05 mm                     | ±0,07 mm                     | 229    | 40     | 21     | 17     | 16     | 145      |
| 530-114 | 0-8       | 0-200      | 0,05 mm/<br>1/128" | flat      | ±0,05 mm                     | ±0,07 mm                     | 288    | 50     | 24,5   | 20,5   | 16     | 180      |
| 530-115 | 0-12      | 0-300      | 0,05 mm/<br>1/128" | flat      | ±0,08 mm                     | ±0,1 mm                      | 404    | 64     | 27,5   | 22     | 20     | 355      |



# Vernier Calipers with Carbide Tipped Jaws

## Series 530

These Vernier Calipers have carbide-tipped jaws and offers you the following benefits:

- Main scale and vernier scale satin chrome finish gives you high readability.
- Raised sliding surfaces.



530-320

### Metric

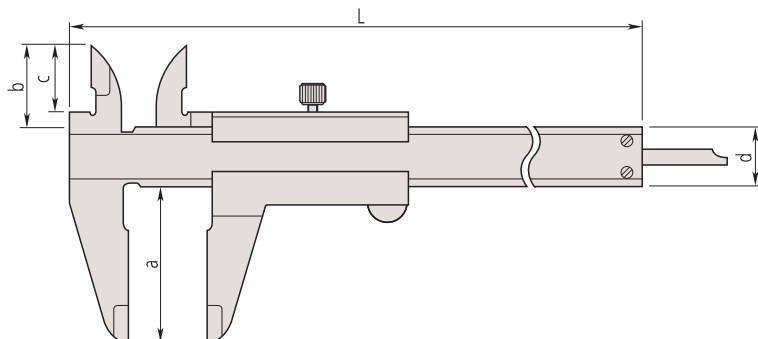
Carbide-tipped jaws for outside/inside measurement

| No.     | Range [mm] | Graduation | Depth bar | Max. Permissible Error E MPE | Max. Permissible Error S MPE | L [mm] | a [mm] | b [mm] | c [mm] | d [mm] | Mass [g] |
|---------|------------|------------|-----------|------------------------------|------------------------------|--------|--------|--------|--------|--------|----------|
| 530-335 | 0-150      | 0,05 mm    | flat      | ±0,05 mm                     | ±0,07 mm                     | 229    | 40     | 21     | 17     | 16     | 145      |

### Metric

Carbide-tipped jaws for outside measurement

| No.     | Range [mm] | Graduation | Depth bar | Max. Permissible Error E MPE | Max. Permissible Error S MPE | L [mm] | a [mm] | b [mm] | c [mm] | d [mm] | Mass [g] |
|---------|------------|------------|-----------|------------------------------|------------------------------|--------|--------|--------|--------|--------|----------|
| 530-320 | 0-150      | 0,05 mm    | flat      | ±0,05 mm                     | ±0,07 mm                     | 229    | 40     | 21     | 17     | 16     | 145      |
| 530-321 | 0-200      | 0,05 mm    | flat      | ±0,05 mm                     | ±0,07 mm                     | 288    | 50     | 24,5   | 20,5   | 16     | 181      |
| 530-322 | 0-300      | 0,05 mm    | flat      | ±0,08 mm                     | ±0,1 mm                      | 404    | 64     | 27,5   | 22     | 20     | 355      |



## Specifications

Delivered

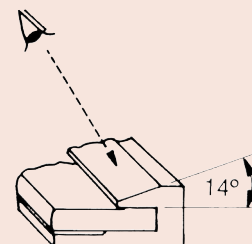
In a box

## Optional accessories

| No.       | Description  |
|-----------|--|
| 050083-10 | Depth Base Attachment for Caliper, 75mm width for 100, 150, 200mm Range  |
| 050084-10 | Depth Base Attachment for Caliper, 100mm width for 100, 150, 200mm Range |
| 050085-10 | Depth Base Attachment for Caliper, 125mm width for 300mm Range           |



Carbide-tipped measuring surfaces



Easy reading due to vernier scales inclined by 14 degrees

# Vernier Calipers with Thumb Clamp

## Series 531

These Vernier Calipers with thumb clamp only moves when you depress the spring-loaded thumb grip.



531-122

### Metric

| No.     | Range [mm] | Graduation | Depth bar | Max. Permissible Error E MPE | Max. Permissible Error S MPE | L [mm] | a [mm] | b [mm] | c [mm] | d [mm] | Mass [g] |
|---------|------------|------------|-----------|------------------------------|------------------------------|--------|--------|--------|--------|--------|----------|
| 531-101 | 0-150      | 0,05 mm    | flat      | ±0,05 mm                     | ±0,07 mm                     | 229    | 40     | 21,5   | 17     | 16     | 142      |
| 531-102 | 0-200      | 0,05 mm    | flat      | ±0,05 mm                     | ±0,07 mm                     | 288    | 50     | 25     | 20,5   | 16     | 175      |
| 531-103 | 0-300      | 0,05 mm    | flat      | ±0,08 mm                     | ±0,1 mm                      | 403    | 64     | 27,5   | 22     | 20     | 360      |

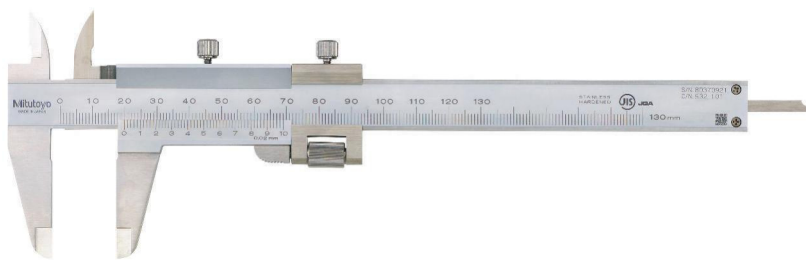
### Metric/Inch

| No.     | Range ["] | Range [mm] | Graduation         | Depth bar | Max. Permissible Error E MPE | Max. Permissible Error S MPE | L [mm] | a [mm] | b [mm] | c [mm] | d [mm] | Mass [g] |
|---------|-----------|------------|--------------------|-----------|------------------------------|------------------------------|--------|--------|--------|--------|--------|----------|
| 531-122 | 0-6       | 0-150      | 0,05 mm/<br>1/128" | flat      | ±0,05 mm                     | ±0,07 mm                     | 229    | 40     | 21,5   | 17     | 16     | 142      |
| 531-108 | 0-8       | 0-200      | 0,05 mm/<br>1/128" | flat      | ±0,05 mm                     | ±0,07 mm                     | 288    | 50     | 25     | 20,5   | 16     | 175      |
| 531-109 | 0-12      | 0-300      | 0,05 mm/<br>1/128" | flat      | ±0,08 mm                     | ±0,1 mm                      | 403    | 64     | 27,5   | 22     | 20     | 360      |

# Vernier Calipers with Fine Adjustment

## Series 532

These Vernier Calipers have fine-adjustment to help you with slider positioning.



532-101

### Metric

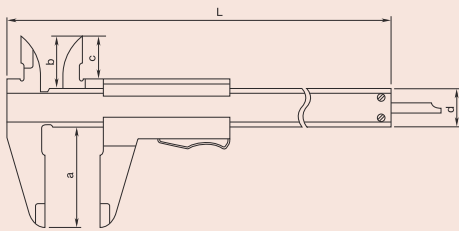
| No.     | Range [mm] | Graduation | Depth bar | Max. Permissible Error E MPE | Max. Permissible Error S MPE | L [mm] | a [mm] | b [mm] | c [mm] | d [mm] | Mass [g] |
|---------|------------|------------|-----------|------------------------------|------------------------------|--------|--------|--------|--------|--------|----------|
| 532-101 | 0-130      | 0,02 mm    | flat      | ±0,03 mm                     | ±0,05 mm                     | 229    | 40     | 21,5   | 17     | 16     | 165      |
| 532-102 | 0-180      | 0,02 mm    | flat      | ±0,03 mm                     | ±0,05 mm                     | 288    | 50     | 25     | 20,5   | 16     | 202      |
| 532-103 | 0-280      | 0,02 mm    | flat      | ±0,04 mm                     | ±0,06 mm                     | 403    | 64     | 27,5   | 22     | 20     | 395      |

### Specifications

Delivered  In a box

### Optional accessories

| No.       | Description  |
|-----------|--|
| 050083-10 | Depth Base Attachment for Caliper, 75mm width for 100, 150, 200mm Range  |
| 050084-10 | Depth Base Attachment for Caliper, 100mm width for 100, 150, 200mm Range |
| 050085-10 | Depth Base Attachment for Caliper, 125mm width for 300mm Range           |

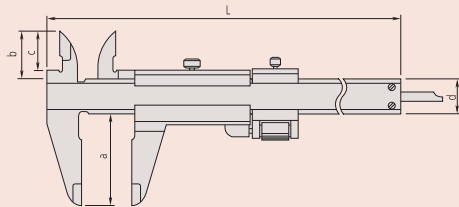


### Specifications

Delivered  In a box

### Optional accessories

| No.       | Description  |
|-----------|--|
| 050083-10 | Depth Base Attachment for Caliper, 75mm width for 100, 150, 200mm Range  |
| 050084-10 | Depth Base Attachment for Caliper, 100mm width for 100, 150, 200mm Range |
| 050085-10 | Depth Base Attachment for Caliper, 125mm width for 300mm Range           |



# Dial Calipers

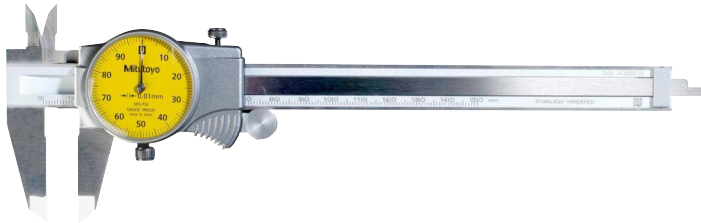
## Series 505

These dial calipers allows you to take reliable measurements and offers you the following benefits:

- Ultra-smooth sliding and high shock protection.
- Easy to read dial with large character height.



505-730



505-732

### Metric

| No.     | Range [mm] | Graduation          | Depth bar | Max. Permissible Error E MPE | Max. Permissible Error S MPE | L [mm] | a [mm] | b [mm] | c [mm] | d [mm] | Mass [g] |
|---------|------------|---------------------|-----------|------------------------------|------------------------------|--------|--------|--------|--------|--------|----------|
| 505-730 | 0-150      | 0,02 mm<br>2 mm/rev | flat      | ±0,03 mm                     | ±0,05 mm                     | 231    | 40     | 21     | 16,5   | 16     | 175      |
| 505-732 | 0-150      | 0,01 mm<br>1 mm/rev | flat      | ±0,02 mm                     | ±0,04 mm                     | 231    | 40     | 21     | 16,5   | 16     | 176      |
| 505-731 | 0-200      | 0,02 mm<br>2 mm/rev | flat      | ±0,03 mm                     | ±0,05 mm                     | 288    | 50     | 24,5   | 20     | 16     | 185      |
| 505-733 | 0-200      | 0,01 mm<br>1 mm/rev | flat      | ±0,03 mm                     | ±0,05 mm                     | 288    | 50     | 24,5   | 20     | 16     | 186      |
| 505-745 | 0-300      | 0,02 mm<br>2 mm/rev | flat      | ±0,04 mm                     | ±0,06 mm                     | 404    | 64     | 27,5   | 22     | 20     | 370      |

### Metric

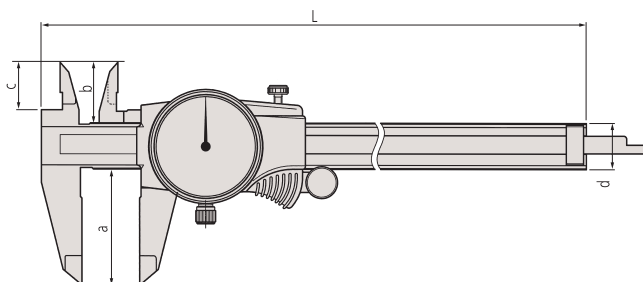
Carbide-tipped jaws for outside/inside measurement

| No.     | Range [mm] | Graduation         | Depth bar | Max. Permissible Error E MPE | Max. Permissible Error S MPE | L [mm] | a [mm] | b [mm] | c [mm] | d [mm] | Mass [g] |
|---------|------------|--------------------|-----------|------------------------------|------------------------------|--------|--------|--------|--------|--------|----------|
| 505-735 | 0-150      | 0,02 mm<br>2mm/rev | flat      | ±0,03 mm                     | ±0,05 mm                     | 231    | 40     | 21     | 16,5   | 16     | 175      |

### Metric

Carbide-tipped jaws for outside measurement

| No.     | Range [mm] | Graduation          | Depth bar | Max. Permissible Error E MPE | Max. Permissible Error S MPE | L [mm] | a [mm] | b [mm] | c [mm] | d [mm] | Mass [g] |
|---------|------------|---------------------|-----------|------------------------------|------------------------------|--------|--------|--------|--------|--------|----------|
| 505-734 | 0-150      | 0,02 mm<br>2 mm/rev | flat      | ±0,03 mm                     | ±0,05 mm                     | 231    | 40     | 21     | 16,5   | 16     | 175      |

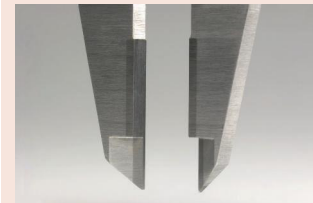


## Specifications

Delivered  In a case

## Optional accessories

| No.       | Description  |
|-----------|--|
| 050083-10 | Depth Base Attachment for Caliper, 75mm width for 100, 150, 200mm Range  |
| 050084-10 | Depth Base Attachment for Caliper, 100mm width for 100, 150, 200mm Range |
| 050085-10 | Depth Base Attachment for Caliper, 125mm width for 300mm Range           |



Carbide tipped jaws outside  
505-734 / 505-735

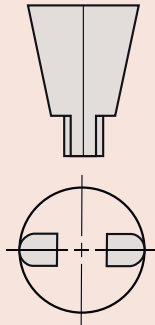


Carbide tipped jaws inside and outside  
505-735

Specifications

Delivered

In a box



Round surface of jaws for measuring inside dimensions

# Vernier Calipers with Nib Style and Standard Jaws

## Series 533

These vernier calipers with nib style and standard jaws let you take easy, metric measurements. They offer you the following benefits:

- You can read inside and outside measurements directly from the upper and lower vernier scales.
- Main scale and vernier scale satin chrome finish gives you high readability.



533-404  
Without fine adjustment

Metric

With fine adjustment

| No.     | Range [mm] | Graduation | Inside measuring from | Max. Permissible Error E MPE | Max. Permissible Error S MPE | L [mm] |
|---------|------------|------------|-----------------------|------------------------------|------------------------------|--------|
| 533-504 | 0-500      | 0,02 mm    | 20,1 mm               | ±0,05 mm                     | ±0,05 mm                     | 680    |
| 533-505 | 0-750      | 0,02 mm    | 20,1 mm               | ±0,06 mm                     | ±0,06 mm                     | 963    |
| 533-506 | 0-1000     | 0,02 mm    | 20,1 mm               | ±0,07 mm                     | ±0,07 mm                     | 1230   |

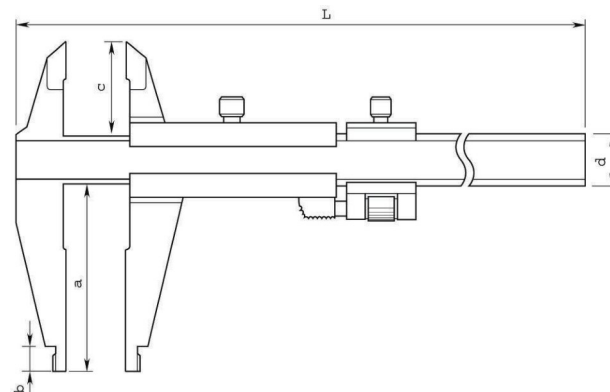
| No.     | a [mm] | b [mm] | c [mm] | d [mm] | Mass [g] |
|---------|--------|--------|--------|--------|----------|
| 533-504 | 150    | 15     | 56     | 25     | 1250     |
| 533-505 | 150    | 15     | 56     | 25     | 1550     |
| 533-506 | 150    | 20     | 56     | 32     | 3450     |

Metric

Without fine adjustment

| No.     | Range [mm] | Graduation | Inside measuring from | Max. Permissible Error E MPE | Max. Permissible Error S MPE | L [mm] |
|---------|------------|------------|-----------------------|------------------------------|------------------------------|--------|
| 533-404 | 0-500      | 0,05 mm    | 20,1 mm               | ±0,1 mm                      | ±0,1 mm                      | 680    |
| 533-405 | 0-750      | 0,05 mm    | 20,1 mm               | ±0,12 mm                     | ±0,12 mm                     | 963    |
| 533-406 | 0-1000     | 0,05 mm    | 20,1 mm               | ±0,15 mm                     | ±0,15 mm                     | 1230   |

| No.     | a [mm] | b [mm] | c [mm] | d [mm] | Mass [g] |
|---------|--------|--------|--------|--------|----------|
| 533-404 | 150    | 15     | 56     | 25     | 1200     |
| 533-405 | 150    | 15     | 56     | 25     | 1500     |
| 533-406 | 150    | 20     | 56     | 32     | 3300     |



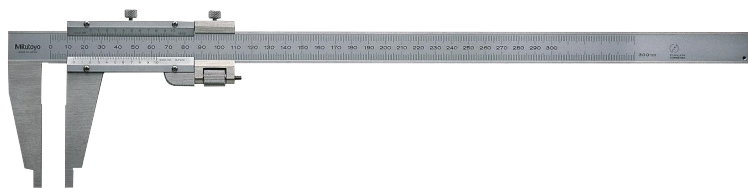
# Vernier Calipers with Nib Style Jaws

## Series 160

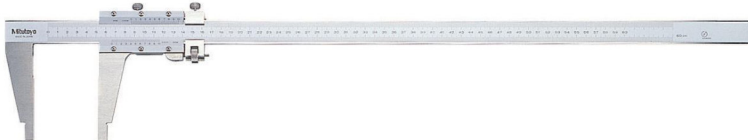
These vernier calipers with nib style jaws come with or without fine adjustment.

They offer you the following benefits:

- For the metric only models the top offset vernier scale allows you to directly read the inside dimensions without having to add the nib widths.
- Main scale and vernier scale satin chrome finish gives you high readability.



160-127



160-101

### Metric

With fine adjustment

| No.     | Range [mm] | Graduation | Inside measuring from | Max. Permissible Error E MPE | Max. Permissible Error S MPE | L [mm] |
|---------|------------|------------|-----------------------|------------------------------|------------------------------|--------|
| 160-127 | 0-300      | 0,02 mm    | 10,1 mm               | ±0,04 mm                     | ±0,04 mm                     | 445    |
| 160-128 | 0-450      | 0,02 mm    | 20,1 mm               | ±0,05 mm                     | ±0,05 mm                     | 630    |
| 160-101 | 0-600      | 0,02 mm    | 20,1 mm               | ±0,05 mm                     | ±0,05 mm                     | 780    |
| 160-104 | 0-1000     | 0,02 mm    | 20,1 mm               | ±0,07 mm                     | ±0,07 mm                     | 1240   |

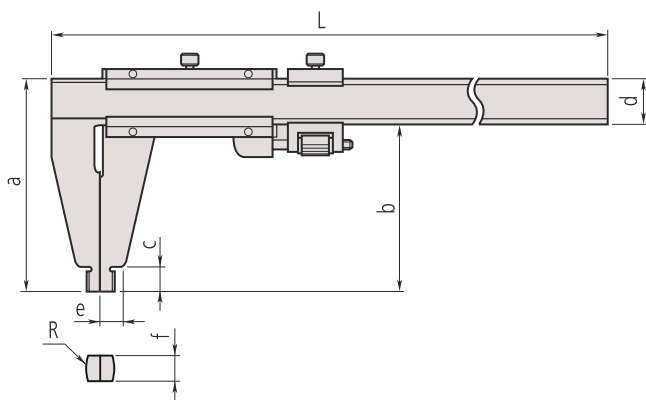
| No.     | a [mm] | b [mm] | c [mm] | d [mm] | e [mm] | f [mm] | R [mm] | Mass [g] |
|---------|--------|--------|--------|--------|--------|--------|--------|----------|
| 160-127 | 95     | 75     | 12     | 20     | 10     | 38     | 5      | 450      |
| 160-128 | 125    | 100    | 18     | 25     | 14,8   | 6      | 10     | 1200     |
| 160-101 | 125    | 100    | 18     | 25     | 14,8   | 6      | 10     | 1400     |
| 160-104 | 172    | 140    | 24     | 32     | 17     | 8      | 10     | 3500     |

### Metric

Without fine adjustment

| No.     | Range [mm] | Graduation | Inside measuring from | Max. Permissible Error E MPE | Max. Permissible Error S MPE | L [mm] |
|---------|------------|------------|-----------------------|------------------------------|------------------------------|--------|
| 160-130 | 0-450      | 0,05 mm    | 20,1 mm               | ±0,1 mm                      | ±0,1 mm                      | 630    |
| 160-131 | 0-600      | 0,05 mm    | 20,1 mm               | ±0,1 mm                      | ±0,1 mm                      | 780    |
| 160-132 | 0-1000     | 0,05 mm    | 20,1 mm               | ±0,15 mm                     | ±0,15 mm                     | 1240   |

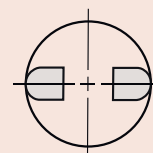
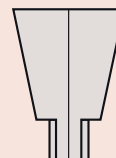
| No.     | a [mm] | b [mm] | c [mm] | d [mm] | e [mm] | f [mm] | R [mm] | Mass [g] |
|---------|--------|--------|--------|--------|--------|--------|--------|----------|
| 160-130 | 125    | 100    | 18     | 25     | 14,8   | 6      | 10     | 1100     |
| 160-131 | 125    | 100    | 18     | 25     | 14,8   | 6      | 10     | 1300     |
| 160-132 | 172    | 140    | 24     | 32     | 17     | 8      | 10     | 3300     |



## Specifications

Delivered

In a box

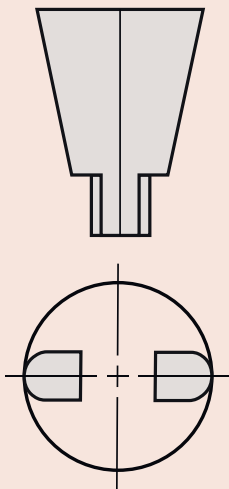
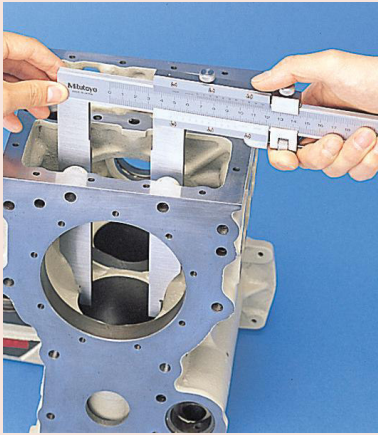


Rounded outside measuring surfaces for measuring inside dimensions

Specifications

Delivered

In a box



Rounded outside measuring surfaces for measuring inside dimensions

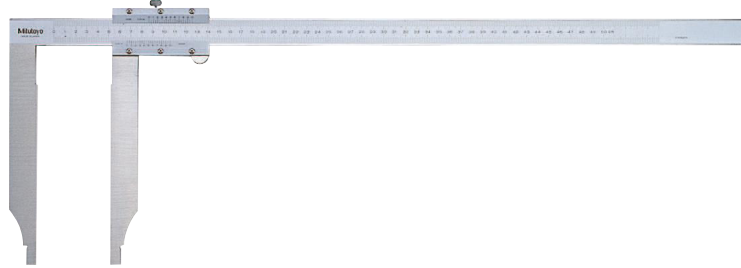
# Vernier Calipers with Long Jaws

## Series 534

These vernier calipers with long jaws come with or without fine adjustment and let you measure hard-to-reach features.

They offer you the following benefits:

- Long jaws enable you to measure hard-to-reach workpiece features.
- The top offset vernier scale allows you to directly read the inside dimensions without having to add the jaw blade width.



534-110  
Without fine adjustment

**Metric** With fine adjustment

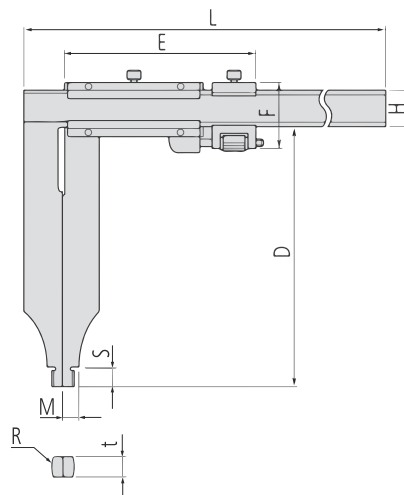
| No.     | Range [mm] | Graduation | Inside measuring from | Max. Permissible Error E MPE | Max. Permissible Error S MPE |
|---------|------------|------------|-----------------------|------------------------------|------------------------------|
| 534-113 | 0-300      | 0,02 mm    | 10,1 mm               | ±0,04 mm                     | ±0,04 mm                     |
| 534-114 | 0-500      | 0,02 mm    | 20,1 mm               | ±0,06 mm                     | ±0,06 mm                     |
| 534-115 | 0-750      | 0,02 mm    | 20,1 mm               | ±0,08 mm                     | ±0,08 mm                     |
| 534-116 | 0-1000     | 0,02 mm    | 20,1 mm               | ±0,1 mm                      | ±0,1 mm                      |

| No.     | L [mm] | D [mm] | E [mm] | F [mm] | H [mm] | R [mm] | M [mm] | S [mm] | Mass [g] | t [mm] |
|---------|--------|--------|--------|--------|--------|--------|--------|--------|----------|--------|
| 534-113 | 445    | 90     | 76,6   | 38     | 20     | 5      | 7      | 12     | 460      | 3,8    |
| 534-114 | 682    | 200    | 89     | 51     | 25     | 10     | 12     | 18,5   | 1500     | 6      |
| 534-115 | 995    | 200    | 150    | 62,5   | 32     | 10     | 12     | 18,5   | 2900     | 6      |
| 534-116 | 1230   | 200    | 150    | 62,5   | 32     | 10     | 12     | 18,5   | 3500     | 8      |

**Metric** Without fine adjustment

| No.     | Range [mm] | Graduation | Inside measuring from | Max. Permissible Error E MPE | Max. Permissible Error S MPE |
|---------|------------|------------|-----------------------|------------------------------|------------------------------|
| 534-109 | 0-300      | 0,05 mm    | 10,1 mm               | ±0,07 mm                     | ±0,07 mm                     |
| 534-110 | 0-500      | 0,05 mm    | 20,1 mm               | ±0,13 mm                     | ±0,13 mm                     |

| No.     | L [mm] | D [mm] | E [mm] | H [mm] | R [mm] | M [mm] | S [mm] | Mass [g] | t [mm] |
|---------|--------|--------|--------|--------|--------|--------|--------|----------|--------|
| 534-109 | 445    | 90     | 76,5   | 20     | 5      | 7      | 12     | 400      | 3,8    |
| 534-110 | 682    | 200    | 89     | 25     | 10     | 12     | 18,5   | 1400     | 6      |



# ABSOLUTE Digimatic Calipers with Constant Measuring Force

## Series 573

The ABSOLUTE Digimatic calipers have a load cell and help you measure elastic workpieces.

They offer you the following benefits:

- Due to their low and constant measuring force these calipers are ideal for measuring elastic workpieces such as plastic and rubber parts that standard calipers cannot measure accurately.
- Large character height (alleviation of fatigue with the high-contrast LCD)
- The ABS (ABSOLUTE) scale requires no origin setting after power-on and also has no limit to response speed.
- Extraordinary battery life.

ABSOLUTE®

| Functions            | Series 573 |
|----------------------|------------|
| ORIGIN (ABS-Zero)    | ●          |
| ON/OFF               | ●          |
| ABS / INC (INC ZERO) | ●          |
| Low voltage alarm    | ●          |
| Data output          | ●          |

### Specifications

|                     |                                |
|---------------------|--------------------------------|
| Digital step        | 0,01 mm                        |
| Max. response speed | Unlimited                      |
| Measuring force     | 0.5-1 N                        |
| Jaw retraction      | 0,3 mm                         |
| Display             | LCD, character height 9 mm     |
| Battery life        | Approx. 18000 hours            |
| Delivered           | In a case, including 1 battery |

### Optional accessories

| No.       | Description   |
|-----------|---|
| 959149    | Digimatic Cable, Straight, Data Button, 1 m   |
| 959150    | Digimatic Cable, Straight, Data Button, 2 m   |
| 06AFM380C | USB Input Tool Direct (Digimatic to USB), 2m Cable, Digimatic/Digimatic 2, Straight, with Data Button |
| 264-620   | U-WAVE fit, IP67 Type, Wireless Transmitter for Caliper   |
| 264-621   | U-WAVE fit, Buzzer Type, Wireless Transmitter for Caliper   |
| 264-624   | U-WAVE fit Bluetooth, IP67 Type, Wireless Transmitter for Caliper                                     |
| 264-625   | U-WAVE fit Bluetooth, Buzzer Type, Wireless Transmitter for Caliper                                   |
| 02AZF300  | Connection Unit for Standard Caliper, with Data Button for U-WAVE fit, U-WAVE fit Bluetooth           |
| 959143    | Data Hold Unit, for Digital Caliper   |

### Consumable spares

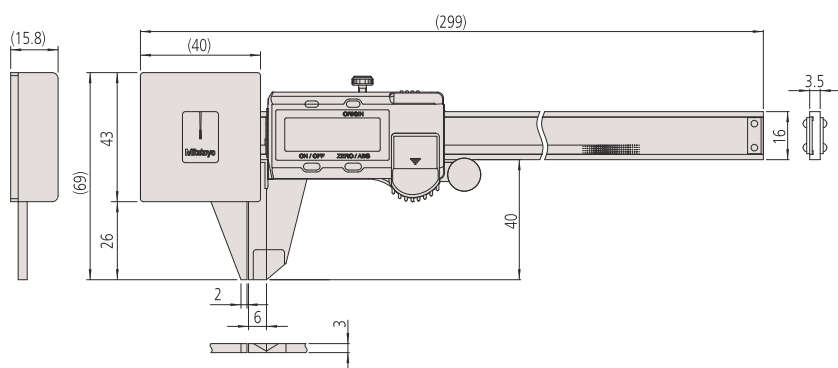
| No.      | Description        |
|----------|--------------------|
| 63AAA800 | Battery SR44 1,5 V |



573-191-30

### Metric

| No.        | Range [mm] | Depth bar | Max. Permissible Error E MPE | Mass [g] |
|------------|------------|-----------|------------------------------|----------|
| 573-191-30 | 0-180      | Without   | ±0,05 mm                     | 253      |



A consistently low measuring force can be guaranteed by only taking measurements when the pointer is between the two fiducial lines.

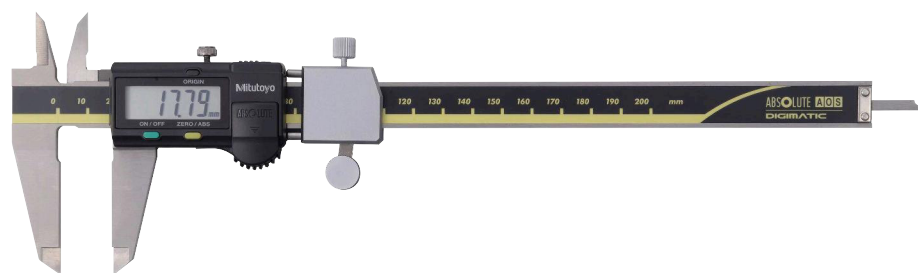
# ABSOLUTE Digimatic Calipers for Tolerance Measurement

ABSOLUTE®

## Series 573

The ABSOLUTE Digimatic snap caliper for tolerance measurement features a spring-loaded mechanism to allow quick and efficient GO/±NO-GO inspection for mass produced parts.

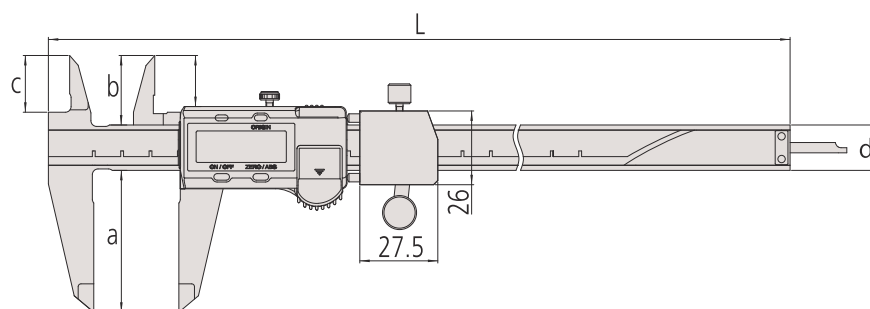
- Large character height (alleviation of fatigue with the high-contrast LCD)
- The ABS (ABSOLUTE) scale requires no origin setting after power-on and also has no limit to response speed.
- Extraordinary battery life.



573-182-30

### Metric

| No.        | Range [mm] | Depth bar | Max. Permissible Error E MPE | Max. Permissible Error S MPE | L [mm] | a [mm] | b [mm] | c [mm] | d [mm] | Mass [g] |
|------------|------------|-----------|------------------------------|------------------------------|--------|--------|--------|--------|--------|----------|
| 573-181-30 | 0-100      | Flat      | ±0,02 mm                     | ±0,04 mm                     | 233    | 40     | 21     | 16,5   | 16     | 213      |
| 573-182-30 | 0-150      | Flat      | ±0,02 mm                     | ±0,04 mm                     | 290    | 50     | 24,5   | 20     | 16     | 233      |



| Functions            | Series 573 |
|----------------------|------------|
| ORIGIN (ABS-Zero)    | ●          |
| ON/OFF               | ●          |
| ABS / INC (INC ZERO) | ●          |
| Low voltage alarm    | ●          |
| Data output          | ●          |

### Specifications

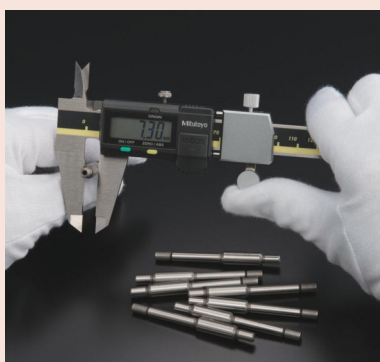
|                     |                                |
|---------------------|--------------------------------|
| Digital step        | 0,01 mm                        |
| Max. response speed | Unlimited                      |
| Measuring force     | 7-14 N                         |
| Jaw retraction      | 2 mm                           |
| Display             | LCD, character height 9 mm     |
| Battery life        | Approx. 18000 hours            |
| Delivered           | In a case, including 1 battery |

### Optional accessories

| No.       | Description   |
|-----------|---|
| 959149    | Digimatic Cable, Straight, Data Button, 1 m   |
| 959150    | Digimatic Cable, Straight, Data Button, 2 m   |
| 06AFM380C | USB Input Tool Direct (Digimatic to USB), 2m Cable, Digimatic/Digimatic 2, Straight, with Data Button |
| 264-620   | U-WAVE fit, IP67 Type, Wireless Transmitter for Caliper   |
| 264-621   | U-WAVE fit, Buzzer Type, Wireless Transmitter for Caliper   |
| 264-624   | U-WAVE fit Bluetooth, IP67 Type, Wireless Transmitter for Caliper                                     |
| 264-625   | U-WAVE fit Bluetooth, Buzzer Type, Wireless Transmitter for Caliper                                   |
| 02AZF310  | Connection Unit for IP Caliper, Micrometer, with Data Button for U-WAVE fit, U-WAVE fit Bluetooth     |
| 959143    | Data Hold Unit, for Digital Caliper   |

### Consumable spares

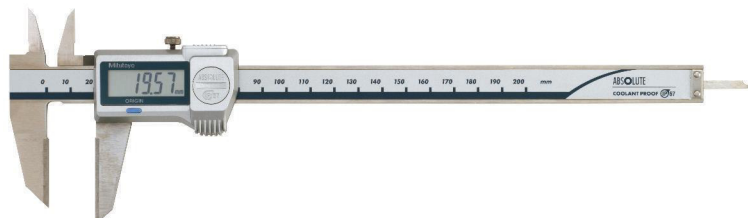
| No.      | Description        |
|----------|--------------------|
| 63AAA800 | Battery SR44 1,5 V |



# Scribing Calipers with Carbide Tipped Jaws

## Series 573

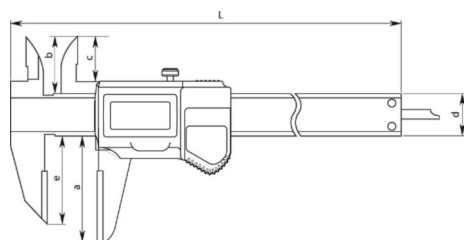
These Calipers are designed for scribing tasks.



573-677-20

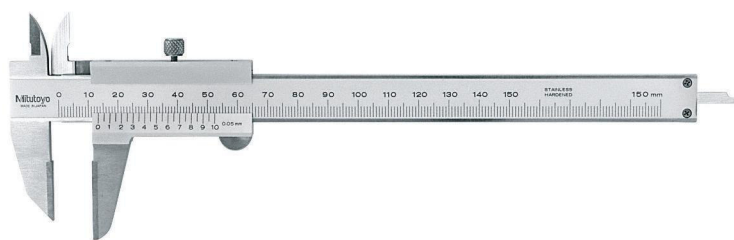
### Metric

| No.        | Range [mm] | Depth bar | Max. Permissible Error E MPE | Max. Permissible Error S MPE | L [mm] | a [mm] | b [mm] | c [mm] | d [mm] | e [mm] | Mass [g] |
|------------|------------|-----------|------------------------------|------------------------------|--------|--------|--------|--------|--------|--------|----------|
| 573-676-20 | 0-150      | Flat      | ±0,02 mm                     | ±0,04 mm                     | 229    | 46     | 21,5   | 17     | 16     | 33     | 166      |
| 573-677-20 | 0-200      | Flat      | ±0,02 mm                     | ±0,04 mm                     | 288    | 50     | 25     | 20,5   | 16     | 43     | 196      |
| 573-679-20 | 0-300      | Flat      | ±0,03 mm                     | ±0,05 mm                     | 404    | 64     | 27,5   | 22     | 20     | 54     | 360      |



## Series 536

These Calipers are designed for scribing tasks.



536-221

### Metric

| No.     | Range [mm] | Graduation | Depth bar | Max. Permissible Error E MPE | Max. Permissible Error S MPE | L [mm] | a [mm] | b [mm] | c [mm] | d [mm] | e [mm] |
|---------|------------|------------|-----------|------------------------------|------------------------------|--------|--------|--------|--------|--------|--------|
| 536-221 | 0-150      | 0,05 mm    | Flat      | ±0,05 mm                     | ±0,07 mm                     | 229    | 40     | 21,5   | 17     | 16     | 33     |
| 536-222 | 0-200      | 0,05 mm    | Flat      | ±0,05 mm                     | ±0,07 mm                     | 288    | 50     | 25     | 20,5   | 16     | 43     |
| 536-223 | 0-300      | 0,05 mm    | Flat      | ±0,08 mm                     | ±0,1 mm                      | 403    | 64     | 27,5   | 22     | 20     | 54     |

| No.     | Mass [g] |
|---------|----------|
| 536-221 | 150      |
| 536-222 | 180      |
| 536-223 | 400      |

| Functions                            | Series 573 |
|--------------------------------------|------------|
| ORIGIN (ABS-Zero)                    | ●          |
| Auto Power OFF after 20 min. non use | ●          |
| Low voltage alarm                    | ●          |
| Data output                          | ●          |

### Specifications

|                     |   |
|---------------------|---|
| Digital step        | 0,01 mm   |
| Max. response speed | Unlimited   |
| Display             | LCD, character height 9 mm (150, 200 mm) 11 mm (300 mm) |
| Battery life        | Approx. 5 years under normal use                        |
| Delivered           | In a case, including 1 battery                          |

### Optional accessories

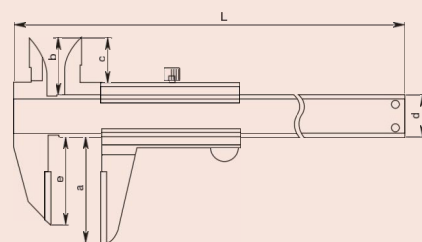
| No.       | Description   |
|-----------|---|
| 05CZA624  | Digimatic Cable with Data Button IP Type, 1 m, Caliper Type   |
| 05CZA625  | Digimatic Cable with Data Button IP Type, 2 m, Caliper Type   |
| 06AFM380A | USB Input Tool Direct (Digimatic to USB), 2m Cable, Digimatic/Digimatic 2, with Data Button IP Caliper Type |
| 264-620   | U-WAVE fit, IP67 Type, Wireless Transmitter for Caliper   |
| 264-621   | U-WAVE fit, Buzzer Type, Wireless Transmitter for Caliper   |
| 264-624   | U-WAVE fit Bluetooth, IP67 Type, Wireless Transmitter for Caliper   |
| 264-625   | U-WAVE fit Bluetooth, Buzzer Type, Wireless Transmitter for Caliper   |
| 02AZF310  | Connection Unit for IP Caliper, Micrometer, with Data Button for U-WAVE fit, U-WAVE fit Bluetooth           |

### Consumable spares

| No.      | Description        |
|----------|--------------------|
| 63AAA800 | Battery SR44 1,5 V |

### Specifications

|           |           |
|-----------|-----------|
| Delivered | In a case |
|-----------|-----------|



# Offset Calipers

## Series 573

These offset calipers enable you to measure stepped workpieces. They offer you the following benefits:

- You can adjust the beam-mounted jaw to facilitate measurement of stepped sections and hard-to-reach workpiece features.



| Functions                            | Series 573 |
|--------------------------------------|------------|
| ORIGIN (ABS-Zero)                    | ●          |
| Auto Power OFF after 20 min. non use | ●          |
| Low voltage alarm                    | ●          |
| Data output                          | ●          |

### Specifications

|                     |  |
|---------------------|--|
| Digital step        | 0,01 mm  |
| Max. response speed | Unlimited  |
| Display             | LCD, character height 9 mm (150 mm, 200 mm) 11 mm (300 mm) |
| Battery life        | Approx. 5 years under normal use                           |
| Delivered           | In a case, including 1 battery                             |

### Optional accessories

| No.       | Description   |
|-----------|---|
| 05CZA624  | Digimatic Cable with Data Button IP Type, 1 m, Caliper Type   |
| 05CZA625  | Digimatic Cable with Data Button IP Type, 2 m, Caliper Type   |
| 06AFM380A | USB Input Tool Direct (Digimatic to USB), 2m Cable, Digimatic/Digimatic 2, with Data Button IP Caliper Type |
| 264-620   | U-WAVE fit, IP67 Type, Wireless Transmitter for Caliper   |
| 264-621   | U-WAVE fit, Buzzer Type, Wireless Transmitter for Caliper   |
| 264-624   | U-WAVE fit Bluetooth, IP67 Type, Wireless Transmitter for Caliper   |
| 264-625   | U-WAVE fit Bluetooth, Buzzer Type, Wireless Transmitter for Caliper   |
| 02AZF310  | Connection Unit for IP Caliper, Micrometer, with Data Button for U-WAVE fit, U-WAVE fit Bluetooth           |

### Consumable spares

| No.      | Description        |
|----------|--------------------|
| 63AAA800 | Battery SR44 1,5 V |



573-602-20

### Metric

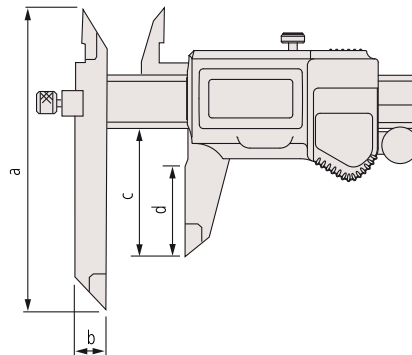
Without thumb roller

| No.        | Range [mm] | Depth bar | Max. Permissible Error E MPE | Max. Permissible Error S MPE | a [mm] | b [mm] | c [mm] | d [mm] | Mass [g] |
|------------|------------|-----------|------------------------------|------------------------------|--------|--------|--------|--------|----------|
| 573-611-20 | 0-150      | Flat      | ±0,02 mm                     | ±0,04 mm                     | 95     | 10     | 40     | 30     | 168      |
| 573-612-20 | 0-200      | Flat      | ±0,02 mm                     | ±0,04 mm                     | 95     | 10     | 50     | 38,5   | 198      |
| 573-614-20 | 0-300      | Flat      | ±0,03 mm                     | ±0,05 mm                     | 135    | 15     | 64     | 51     | 380      |

### Metric

With thumb roller

| No.        | Range [mm] | Depth bar | Max. Permissible Error E MPE | Max. Permissible Error S MPE | a [mm] | b [mm] | c [mm] | d [mm] | Mass [g] |
|------------|------------|-----------|------------------------------|------------------------------|--------|--------|--------|--------|----------|
| 573-601-20 | 0-150      | Flat      | ±0,02 mm                     | ±0,04 mm                     | 95     | 10     | 40     | 30     | 168      |
| 573-602-20 | 0-200      | Flat      | ±0,02 mm                     | ±0,04 mm                     | 95     | 10     | 50     | 38,5   | 198      |
| 573-604-20 | 0-300      | Flat      | ±0,03 mm                     | ±0,05 mm                     | 135    | 15     | 64     | 51     | 970      |

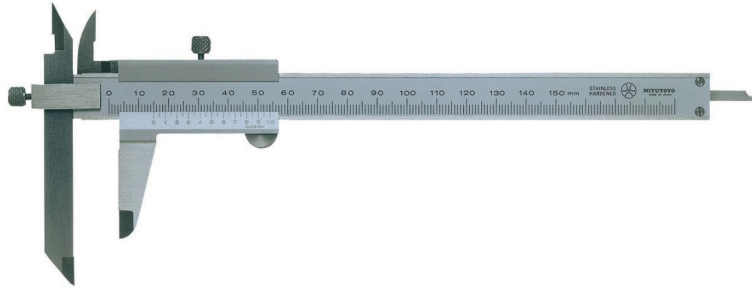


# Offset Calipers

## Series 536

These Offset Calipers enables you to measure stepped workpieces and offers you the following benefits:

- The beam-mounted jaw is adjustable to facilitate the measurement of stepped sections and hard-to-reach workpiece features.

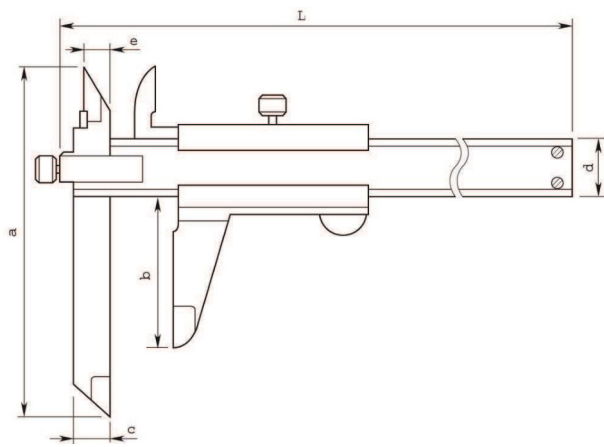


536-101

### Metric

| No.     | Range [mm] | Graduation | Depth bar | Max. Permissible Error E MPE | Max. Permissible Error S MPE | L [mm] | a [mm] | b [mm] | c [mm] | d [mm] | e [mm] |
|---------|------------|------------|-----------|------------------------------|------------------------------|--------|--------|--------|--------|--------|--------|
| 536-101 | 0-150      | 0,05 mm    | Flat      | ±0,05 mm                     | ±0,07 mm                     | 229    | 95     | 40     | 10     | 16     | 7,5    |
| 536-102 | 0-200      | 0,05 mm    | Flat      | ±0,05 mm                     | ±0,07 mm                     | 286    | 95     | 50     | 10     | 16     | 8,5    |
| 536-103 | 0-300      | 0,05 mm    | Flat      | ±0,08 mm                     | ±0,1 mm                      | 403    | 135    | 64     | 15     | 20     | 12     |

| No.     | Mass [g] |
|---------|----------|
| 536-101 | 150      |
| 536-102 | 200      |
| 536-103 | 400      |



536-101

## Specifications

Delivered

In a case

# Offset Centerline Calipers

## Series 573

These offset centreline calipers enable you to measure centre to centre distance.

They offer you the following benefits:

- Specially designed for hole centre-to-centre measurements in the same plane, or between offset planes.
- You can also measure from an edge to a hole centre.



| Functions                            | Series 573 |
|--------------------------------------|------------|
| ORIGIN (ABS-Zero)                    | ●          |
| Auto Power OFF after 20 min. non use | ●          |
| Low voltage alarm                    | ●          |
| Data output                          | ●          |

### Specifications

|                     |  |
|---------------------|--|
| Digital step        | 0,01 mm  |
| Max. response speed | Unlimited  |
| Display             | LCD, character height 9 mm (150 mm, 200 mm) 11 mm (300 mm) |
| OFFSET              | 10 mm  |
| Battery life        | Approx. 5 years under normal use                           |
| Delivered           | In a case, including 1 battery                             |

### Optional accessories

| No.       | Description   |
|-----------|---|
| 05CZA624  | Digimatic Cable with Data Button IP Type, 1 m, Caliper Type   |
| 05CZA625  | Digimatic Cable with Data Button IP Type, 2 m, Caliper Type   |
| 06AFM380A | USB Input Tool Direct (Digimatic to USB), 2m Cable, Digimatic/Digimatic 2, with Data Button IP Caliper Type |
| 264-620   | U-WAVE fit, IP67 Type, Wireless Transmitter for Caliper   |
| 264-621   | U-WAVE fit, Buzzer Type, Wireless Transmitter for Caliper   |
| 264-624   | U-WAVE fit Bluetooth, IP67 Type, Wireless Transmitter for Caliper   |
| 264-625   | U-WAVE fit Bluetooth, Buzzer Type, Wireless Transmitter for Caliper   |
| 02AZF310  | Connection Unit for IP Caliper, Micrometer, with Data Button for U-WAVE fit, U-WAVE fit Bluetooth           |

### Consumable spares

| No.      | Description        |
|----------|--------------------|
| 63AAA800 | Battery SR44 1,5 V |



573-606-20

### Metric

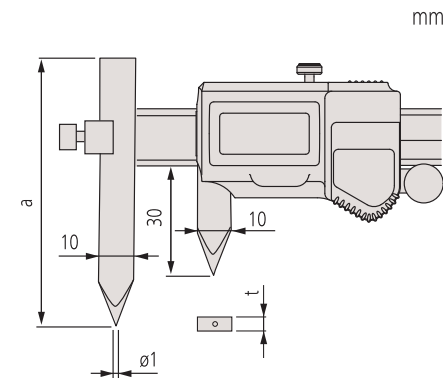
Without thumb roller

| No.        | Range [mm] | Depth bar | Max. Permissible Error S MPE | a [mm] | t [mm] | Mass [g] |
|------------|------------|-----------|------------------------------|--------|--------|----------|
| 573-615-20 | 10,1-160   | Without   | ±0,03 mm                     | 75     | 3,5    | 157      |
| 573-616-20 | 10,1-210   | Without   | ±0,03 mm                     | 75     | 3,5    | 177      |
| 573-618-20 | 10,1-310   | Without   | ±0,04 mm                     | 100    | 3,8    | 335      |

### Metric

With thumb roller

| No.        | Range [mm] | Depth bar | Max. Permissible Error S MPE | a [mm] | t [mm] | Mass [g] |
|------------|------------|-----------|------------------------------|--------|--------|----------|
| 573-605-20 | 10,1-160   | Without   | ±0,03 mm                     | 75     | 3,5    | 157      |
| 573-606-20 | 10,1-210   | Without   | ±0,03 mm                     | 75     | 3,5    | 177      |
| 573-608-20 | 10,1-310   | Without   | ±0,04 mm                     | 100    | 3,8    | 340      |

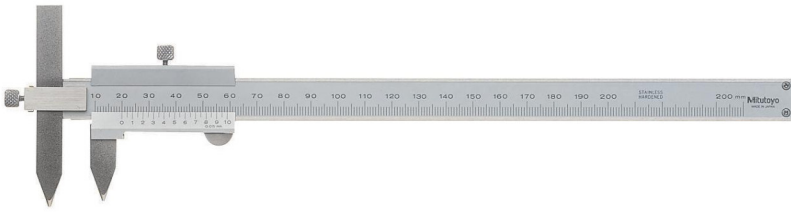


# Offset Centerline Calipers

## Series 536

This Offset Centerline Caliper enables you to measure center-to-center distance and offers you the following benefits:

- Center-to-center measurements for holes on the same plane or between offset planes.
- Edge to center measurements.



536-106

### Metric

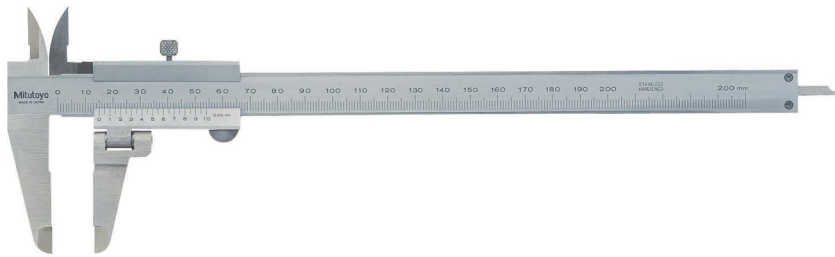
| No.     | Range [mm] | Graduation | Depth bar | Max. Permissible Error S MPE | L [mm] | a [mm] | d [mm] | t [mm] | Mass [g] |
|---------|------------|------------|-----------|------------------------------|--------|--------|--------|--------|----------|
| 536-105 | 10,1-150   | 0,05 mm    | Without   | ±0,05 mm                     | 229    | 75     | 16     | 3      | 140      |
| 536-106 | 10,1-200   | 0,05 mm    | Without   | ±0,05 mm                     | 282    | 75     | 16     | 3      | 160      |
| 536-107 | 10,1-300   | 0,05 mm    | Without   | ±0,08 mm                     | 383    | 100    | 20     | 3,8    | 320      |

# Swivel Calipers

## Series 536

These Vernier Calipers have a swivelling jaw. They offer you the following benefits:

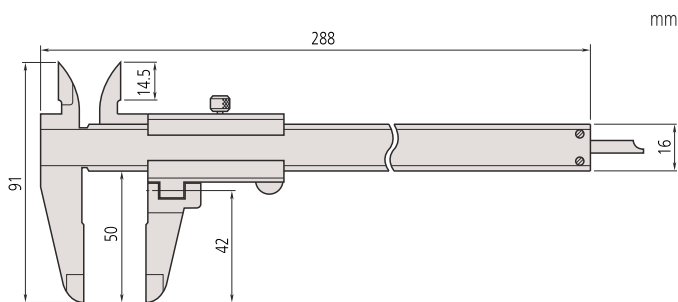
- You can rotate the moving jaw to measure sectioned shafts.



536-212

### Metric

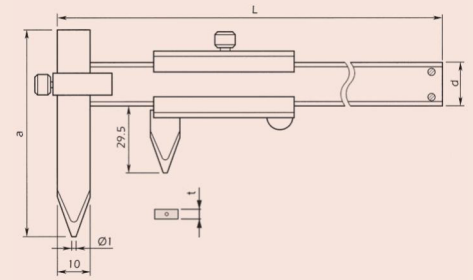
| No.     | Range [mm] | Graduation | Depth bar | Max. Permissible Error E MPE | Max. Permissible Error S MPE | Remarks           | Mass [g] |
|---------|------------|------------|-----------|------------------------------|------------------------------|-------------------|----------|
| 536-212 | 0-200      | 0,05 mm    | Flat      | ±0,05 mm                     | ±0,07 mm                     | Swivel range ±90° | 190      |



## Specifications

Delivered

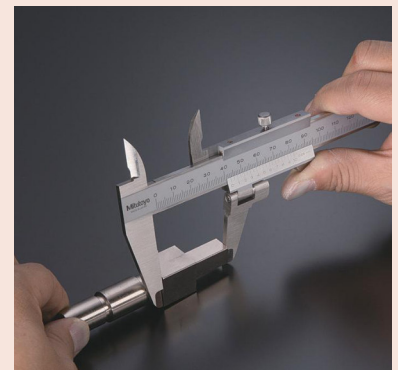
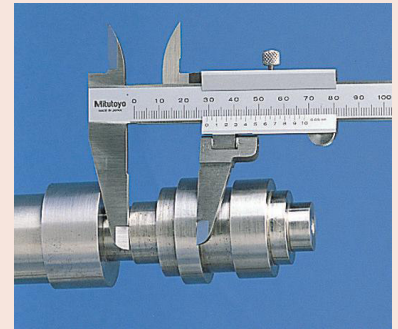
In a case



## Specifications

Delivered

In a case



# ABSOLUTE Digimatic Back-Jaw Centreline Calipers

## Series 573

The ABSOLUTE Digimatic back-jaw centreline calipers offer you the following benefits:

- Specially designed to allow you to measure hole centre-to-centre or edge-to-centre distances.
- You can read measurements more easily from above, thanks to the jaws being on the back of the slide.
- Direct reading of pitch measurements is also available due to the offset value setting function.



Dust- and Water-Protected

www.tuv.com  
ID 0000045042

**ABSOLUTE®**  
**IP67**

| Functions            | Series 573 |
|----------------------|------------|
| ORIGIN (ABS-Zero)    | ●          |
| PRESET               | ●          |
| ABS / INC (INC ZERO) | ●          |
| Low voltage alarm    | ●          |
| Data output          | ●          |

### Specifications

|                     |                                  |
|---------------------|----------------------------------|
| Digital step        | 0,01 mm                          |
| Max. response speed | Unlimited                        |
| Display             | LCD, character height 11 mm      |
| OFFSET              | 10 mm                            |
| Battery life        | Approx. 5 years under normal use |
| Delivered           | In a case, including 1 battery   |

### Optional accessories

| No.       | Description   |
|-----------|---|
| 05CZA624  | Digimatic Cable with Data Button IP Type, 1 m, Caliper Type   |
| 05CZA625  | Digimatic Cable with Data Button IP Type, 2 m, Caliper Type   |
| 06AFM380A | USB Input Tool Direct (Digimatic to USB), 2m Cable, Digimatic/Digimatic 2, with Data Button IP Caliper Type |
| 02AZD730G | U-WAVE-T, IP67 Type, Wireless Transmitter   |
| 02AZD880G | U-WAVE-T, Buzzer Type, Wireless Transmitter   |
| 02AZD790A | Connection Cable A for U-WAVE, with Data Button for IP Caliper Type   |

### Consumable spares

| No.      | Description        |
|----------|--------------------|
| 63AAA800 | Battery SR44 1,5 V |



573-716-20  
Centre-to-centre type



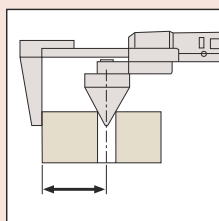
573-718-20  
Edge-to-centre type

### Metric Centre-to-centre type

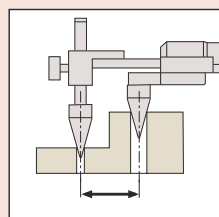
| No.        | Range [mm] | Depth bar | Max. Permissible Error S MPE | Mass [g] |
|------------|------------|-----------|------------------------------|----------|
| 573-716-20 | 10,1-200   | Without   | ±0,1 mm                      | 465      |
| 573-717-20 | 10,1-300   | Without   | ±0,15 mm                     | 550      |

### Metric Edge-to-centre type

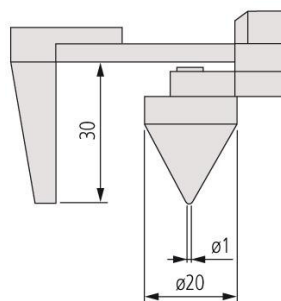
| No.        | Range [mm] | Depth bar | Max. Permissible Error S MPE | Mass [g] |
|------------|------------|-----------|------------------------------|----------|
| 573-718-20 | 10,1-200   | Without   | ±0,1 mm                      | 470      |
| 573-719-20 | 10,1-300   | Without   | ±0,15 mm                     | 555      |



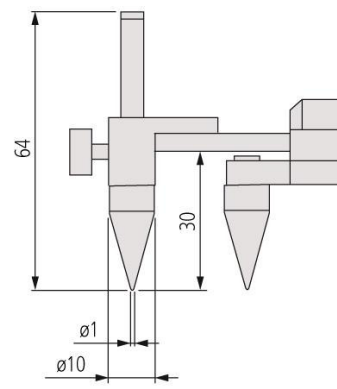
Edge-to-center type



Centre-to-center type



573-718-20  
573-719-20



573-716-20  
573-717-20

# Point Calipers

## Series 573

These point calipers have extra fine ground measuring jaws. They offer you the following benefits:

- Narrow-tip jaws fit into very small grooves and tracks, making it much easier for you to obtain many previously difficult outside measurements.



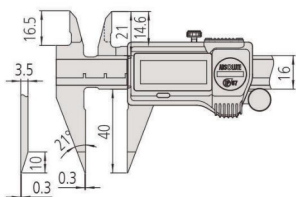
**573-621-20**  
Fine measuring jaws

### Metric Fine measuring jaws

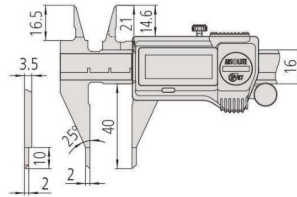
| No.        | Range [mm] | Depth bar | Thumb roller | Max. Permissible Error E MPE | Max. Permissible Error S MPE | Mass [g] |
|------------|------------|-----------|--------------|------------------------------|------------------------------|----------|
| 573-621-20 | 0-150      | Flat      |              | ±0,02 mm                     | ±0,04 mm                     | 163      |
| 573-622-20 | 0-150      | Flat      |              | ±0,02 mm                     | ±0,04 mm                     | 163      |

### Metric Pointed measuring jaws

| No.        | Range [mm] | Depth bar | Thumb roller | Max. Permissible Error E MPE | Max. Permissible Error S MPE | Mass [g] |
|------------|------------|-----------|--------------|------------------------------|------------------------------|----------|
| 573-625-20 | 0-150      | Flat      |              | ±0,02 mm                     | ±0,04 mm                     | 163      |
| 573-626-20 | 0-150      | Flat      |              | ±0,02 mm                     | ±0,04 mm                     | 163      |



Fine measuring jaws

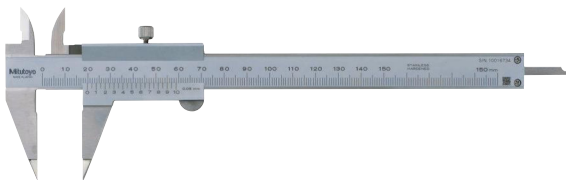


Pointed measuring jaws

## Series 536

These Vernier Point Calipers have extra fine ground measuring jaws. It offers you the following benefits:

- Narrow-tip jaws fit into very small grooves and tracks, making it much easier for you to obtain many previously difficult outside measurements.



**536-121**  
Fine measuring jaws

### Metric

| No.     | Range [mm] | Graduation | Depth bar | Max. Permissible Error E MPE | Max. Permissible Error S MPE | Mass [g] |
|---------|------------|------------|-----------|------------------------------|------------------------------|----------|
| 536-121 | 0-150      | 0,05 mm    | Flat      | ±0,05 mm                     | ±0,07 mm                     | 150      |

| Functions                            | Series 573 |
|--------------------------------------|------------|
| ORIGIN (ABS-Zero)                    |            |
| Auto Power OFF after 20 min. non use |            |
| Low voltage alarm                    |            |
| Data output                          |            |

### Specifications

|                     |                                  |
|---------------------|----------------------------------|
| Digital step        | 0,01 mm                          |
| Max. response speed | Unlimited                        |
| Display             | LCD, character height 9 mm       |
| Battery life        | Approx. 5 years under normal use |
| Delivered           | In a case, including 1 battery   |

### Optional accessories

| No.       | Description   |
|-----------|---|
| 05CZA624  | Digimatic Cable with Data Button IP Type, 1 m, Caliper Type   |
| 05CZA625  | Digimatic Cable with Data Button IP Type, 2 m, Caliper Type   |
| 06AFM380A | USB Input Tool Direct (Digimatic to USB), 2m Cable, Digimatic/Digimatic 2, with Data Button IP Caliper Type |
| 264-620   | U-WAVE fit, IP67 Type, Wireless Transmitter for Caliper   |
| 264-621   | U-WAVE fit, Buzzer Type, Wireless Transmitter for Caliper   |
| 264-624   | U-WAVE fit Bluetooth, IP67 Type, Wireless Transmitter for Caliper   |
| 264-625   | U-WAVE fit Bluetooth, Buzzer Type, Wireless Transmitter for Caliper   |
| 02AZF310  | Connection Unit for IP Caliper, Micrometer, with Data Button for U-WAVE fit, U-WAVE fit Bluetooth           |

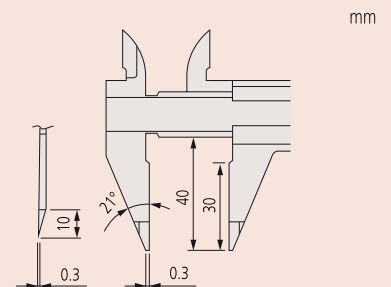
### Consumable spares

| No.      | Description        |
|----------|--------------------|
| 63AAA800 | Battery SR44 1,5 V |



### Specifications

| Delivered | In a case |
|-----------|-----------|
|-----------|-----------|



| Functions                            | Series 573 |
|--------------------------------------|------------|
| ORIGIN (ABS-Zero)                    | ●          |
| Auto Power OFF after 20 min. non use | ●          |
| Low voltage alarm                    | ●          |
| Data output                          | ●          |

#### Specifications

|                     |                                  |
|---------------------|----------------------------------|
| Digital step        | 0,01 mm                          |
| Max. response speed | Unlimited                        |
| Display             | LCD, character height 9 mm       |
| Battery life        | Approx. 5 years under normal use |
| Delivered           | In a case, including 1 battery   |

#### Optional accessories

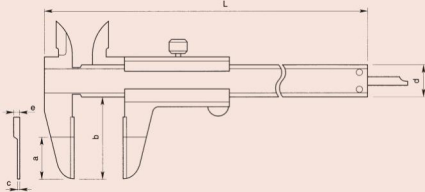
| No.       | Description   |
|-----------|---|
| 05CZA624  | Digimatic Cable with Data Button IP Type, 1 m, Caliper Type   |
| 05CZA625  | Digimatic Cable with Data Button IP Type, 2 m, Caliper Type   |
| 06AFM380A | USB Input Tool Direct (Digimatic to USB), 2m Cable, Digimatic/Digimatic 2, with Data Button IP Caliper Type |
| 264-620   | U-WAVE fit, IP67 Type, Wireless Transmitter for Caliper   |
| 264-621   | U-WAVE fit, Buzzer Type, Wireless Transmitter for Caliper   |
| 264-624   | U-WAVE fit Bluetooth, IP67 Type, Wireless Transmitter for Caliper   |
| 264-625   | U-WAVE fit Bluetooth, Buzzer Type, Wireless Transmitter for Caliper   |
| 02AZF310  | Connection Unit for IP Caliper, Micrometer, with Data Button for U-WAVE fit, U-WAVE fit Bluetooth           |

#### Consumable spares

| No.      | Description        |
|----------|--------------------|
| 63AAA800 | Battery SR44 1,5 V |

#### Specifications

|           |           |
|-----------|-----------|
| Delivered | In a case |
|-----------|-----------|



# Blade Calipers

## Series 573

A Mitutoyo waterproof digital caliper suitable for use in the presence of coolant or cutting oil.

- The outside measuring faces are carbide-tipped.



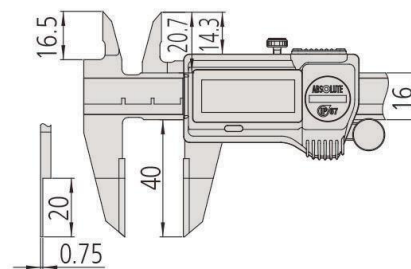
**ABSOLUTE®**  
**IP67**



573-634-20

#### Metric

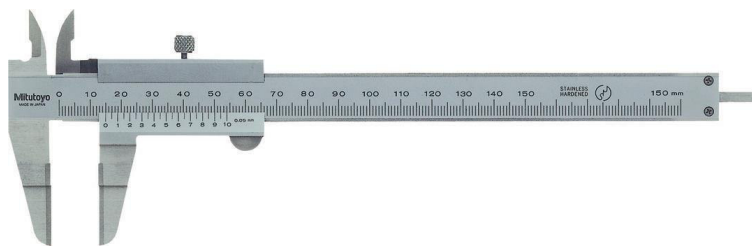
| No.        | Range [mm] | Depth bar | Thumb roller | Max. Permissible Error E MPE | Max. Permissible Error S MPE | Mass [g] |
|------------|------------|-----------|--------------|------------------------------|------------------------------|----------|
| 573-634-20 | 0-150      | Flat      | ●            | ±0,02 mm                     | ±0,04 mm                     | 168      |
| 573-635-20 | 0-150      | Flat      |              | ±0,02 mm                     | ±0,04 mm                     | 168      |



## Series 536

These Blade Calipers have thin measuring jaws. They offer you the following benefits:

- The outside measuring faces are carbide-tipped.



536-134

#### Metric

| No.     | Range [mm] | Graduation | Depth bar | Max. Permissible Error E MPE | Max. Permissible Error S MPE | L [mm] | a [mm] | b [mm] | c [mm] | d [mm] | e [mm] |
|---------|------------|------------|-----------|------------------------------|------------------------------|--------|--------|--------|--------|--------|--------|
| 536-134 | 0-150      | 0,05 mm    | Flat      | ±0,05 mm                     | ±0,07 mm                     | 229    | 20     | 40     | 0,75   | 16     | 3      |
| 536-135 | 0-200      | 0,05 mm    | Flat      | ±0,05 mm                     | ±0,07 mm                     | 286    | 25     | 50     | 0,75   | 16     | 3      |
| 536-136 | 0-300      | 0,05 mm    | Flat      | ±0,08 mm                     | ±0,1 mm                      | 403    | 30     | 64     | 1      | 16     | 3,8    |

| No.     | Mass [g] |
|---------|----------|
| 536-134 | 140      |
| 536-135 | 180      |
| 536-136 | 420      |

# Neck Calipers

## Series 573

These neck calipers enable measurements in hard to reach places. They offer you the following benefits:

- You can measure wall thickness inside bores and recesses.



573-651-20



573-652-20  
Point jaw type

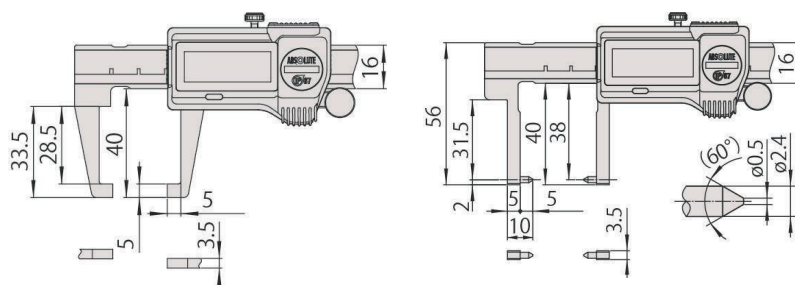
### Metric

| No.        | Range [mm] | Depth bar | Thumb roller | Max. Permissible Error E MPE | Mass [g] |
|------------|------------|-----------|--------------|------------------------------|----------|
| 573-651-20 | 0-150      | Without   |              | ±0,03 mm                     | 157      |
| 573-653-20 | 0-150      | Without   |              | ±0,03 mm                     | 157      |

### Metric

#### Point jaw type

| No.        | Range [mm] | Depth bar | Thumb roller | Max. Permissible Error E MPE | Mass [g] |
|------------|------------|-----------|--------------|------------------------------|----------|
| 573-652-20 | 0-150      | Without   |              | ±0,03 mm                     | 157      |
| 573-654-20 | 0-150      | Without   |              | ±0,03 mm                     | 157      |



Point jaw type

| Functions                            | Series 573 |
|--------------------------------------|------------|
| ORIGIN (ABS-Zero)                    |            |
| Auto Power OFF after 20 min. non use |            |
| Low voltage alarm                    |            |
| Data output                          |            |

### Specifications

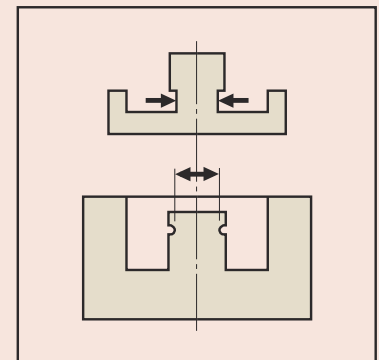
|                     |                                  |
|---------------------|----------------------------------|
| Digital step        | 0,01 mm                          |
| Max. response speed | Unlimited                        |
| Display             | LCD, character height 9 mm       |
| Battery life        | Approx. 5 years under normal use |
| Delivered           | In a case, including 1 battery   |

### Optional accessories

| No.       | Description   |
|-----------|---|
| 05CZA624  | Digimatic Cable with Data Button IP Type, 1 m, Caliper Type   |
| 05CZA625  | Digimatic Cable with Data Button IP Type, 2 m, Caliper Type   |
| 06AFM380A | USB Input Tool Direct (Digimatic to USB), 2m Cable, Digimatic/Digimatic 2, with Data Button IP Caliper Type |
| 264-620   | U-WAVE fit, IP67 Type, Wireless Transmitter for Caliper   |
| 264-621   | U-WAVE fit, Buzzer Type, Wireless Transmitter for Caliper   |
| 264-624   | U-WAVE fit Bluetooth, IP67 Type, Wireless Transmitter for Caliper   |
| 264-625   | U-WAVE fit Bluetooth, Buzzer Type, Wireless Transmitter for Caliper   |
| 02AZF310  | Connection Unit for IP Caliper, Micrometer, with Data Button for U-WAVE fit, U-WAVE fit Bluetooth           |

### Consumable spares

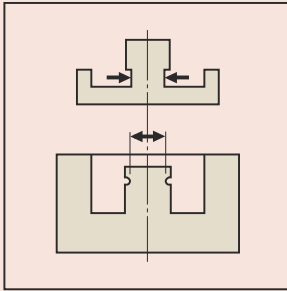
| No.      | Description        |
|----------|--------------------|
| 63AAA800 | Battery SR44 1,5 V |



Specifications

Delivered

In a case



# Neck Calipers

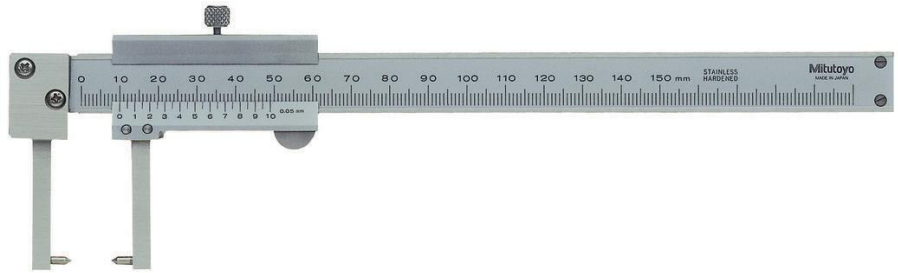
## Series 536

These Neck Calipers enable measurements in hard to reach places. They offer you the following benefits:

- You can measure wall thickness inside bores and recesses.



536-151



536-152  
Point jaw type

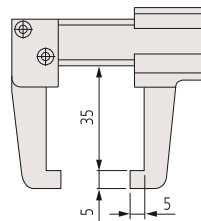
Metric

| No.     | Range [mm] | Graduation | Depth bar | Max. Permissible Error E MPE | Mass [g] |
|---------|------------|------------|-----------|------------------------------|----------|
| 536-151 | 0-150      | 0,05 mm    | Without   | ±0,05 mm                     | 140      |

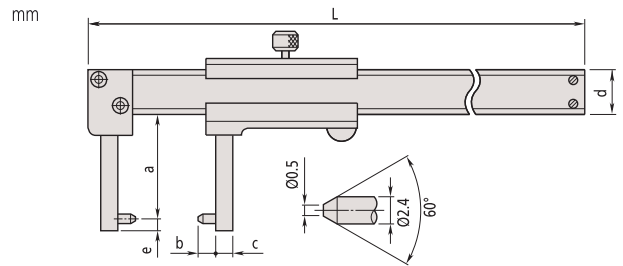
Metric

Point jaw type

| No.     | Range [mm] | Graduation | Depth bar | Max. Permissible Error E MPE | L [mm] | a [mm] | b [mm] | c [mm] | d [mm] | e [mm] | Mass [g] |
|---------|------------|------------|-----------|------------------------------|--------|--------|--------|--------|--------|--------|----------|
| 536-152 | 0-150      | 0,05 mm    | Without   | ±0,05 mm                     | 229    | 38     | 5      | 5      | 16     | 2      | 140      |



536-151



536-152  
Point jaw type

# Knife-Edge Calipers

## Series 573

These Digital Knife Edge Caliper offer you the following benefits:

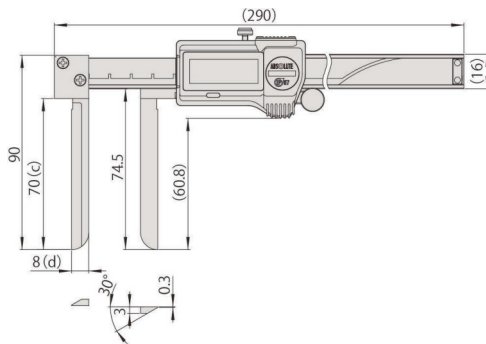
- Specially designed to let you take inside measurements in hard-to-reach places.
- With long narrow jaws.



573-642-20

### Metric

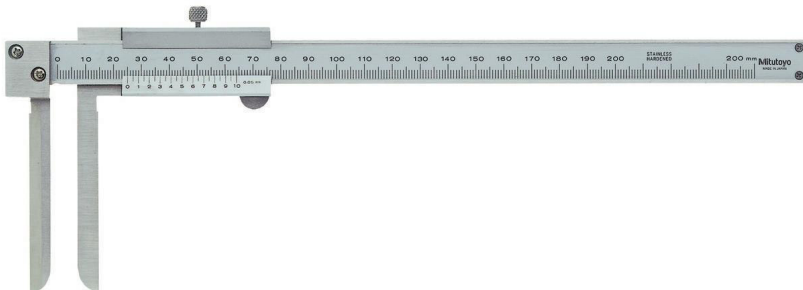
| No.        | Range [mm] | Depth bar | Thumb roller | Max. Permissible Error S MPE | Mass [g] |
|------------|------------|-----------|--------------|------------------------------|----------|
| 573-642-20 | 10-200     | Without   |              | ±0,05 mm                     | 227      |
| 573-643-20 | 10-200     | Without   |              | ±0,05 mm                     | 227      |



## Series 536

This Analog Knife Edge Caliper offer you the following benefits:

- Specially designed to let you take inside measurements in hard-to-reach places.
- With long narrow jaws.



536-142

### Metric

| No.     | Range [mm] | Graduation | Depth bar | Max. Permissible Error S MPE | Mass [g] |
|---------|------------|------------|-----------|------------------------------|----------|
| 536-142 | 10-200     | 0,05 mm    | Without   | ±0,12 mm                     | 210      |

| Functions                            | Series 573 |
|--------------------------------------|------------|
| ORIGIN (ABS-Zero)                    |            |
| Auto Power OFF after 20 min. non use |            |
| Low voltage alarm                    |            |
| Data output                          |            |

### Specifications

|                     |                                  |
|---------------------|----------------------------------|
| Digital step        | 0,01 mm                          |
| Max. response speed | Unlimited                        |
| Display             | LCD, character height 9 mm       |
| Battery life        | Approx. 5 years under normal use |
| Delivered           | In a case, including 1 battery   |

### Optional accessories

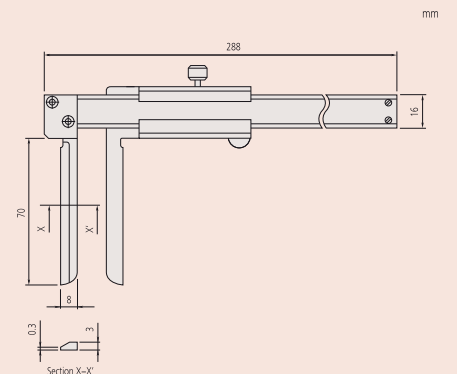
| No.       | Description   |
|-----------|---|
| 05CZA624  | Digimatic Cable with Data Button IP Type, 1 m, Caliper Type   |
| 05CZA625  | Digimatic Cable with Data Button IP Type, 2 m, Caliper Type   |
| 06AFM380A | USB Input Tool Direct (Digimatic to USB), 2m Cable, Digimatic/Digimatic 2, with Data Button IP Caliper Type |
| 02AZD880G | U-WAVE-T, Buzzer Type, Wireless Transmitter   |
| 02AZD730G | U-WAVE-T, IP67 Type, Wireless Transmitter   |
| 02AZD790A | Connection Cable A for U-WAVE, with Data Button for IP Caliper Type   |

### Consumable spares

| No.      | Description        |
|----------|--------------------|
| 63AAA800 | Battery SR44 1,5 V |

### Specifications

| Delivered | In a case |
|-----------|-----------|
|-----------|-----------|



# Inside Calipers

## Series 573

These inside calipers enable measurements inside a groove  
They offer you the following benefits:

- Specially designed for measurements in hard-to-reach places.



| Functions                            | Series 573 |
|--------------------------------------|------------|
| ORIGIN (ABS-Zero)                    | ●          |
| Auto Power OFF after 20 min. non use | ●          |
| Low voltage alarm                    | ●          |
| Data output                          | ●          |

### Specifications

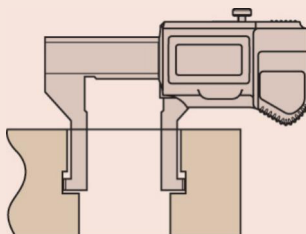
|                     |                                  |
|---------------------|----------------------------------|
| Digital step        | 0,01 mm                          |
| Max. response speed | Unlimited                        |
| Display             | LCD, character height 9 mm       |
| Battery life        | Approx. 5 years under normal use |
| Delivered           | In a case, including 1 battery   |

### Optional accessories

| No.       | Description   |
|-----------|---|
| 05CZA624  | Digimatic Cable with Data Button IP Type, 1 m, Caliper Type   |
| 05CZA625  | Digimatic Cable with Data Button IP Type, 2 m, Caliper Type   |
| 06AFM380A | USB Input Tool Direct (Digimatic to USB), 2m Cable, Digimatic/Digimatic 2, with Data Button IP Caliper Type |
| 264-620   | U-WAVE fit, IP67 Type, Wireless Transmitter for Caliper   |
| 264-621   | U-WAVE fit, Buzzer Type, Wireless Transmitter for Caliper   |
| 264-624   | U-WAVE fit Bluetooth, IP67 Type, Wireless Transmitter for Caliper   |
| 264-625   | U-WAVE fit Bluetooth, Buzzer Type, Wireless Transmitter for Caliper   |
| 02AZF310  | Connection Unit for IP Caliper, Micrometer, with Data Button for U-WAVE fit, U-WAVE fit Bluetooth           |

### Consumable spares

| No.      | Description        |
|----------|--------------------|
| 63AAA800 | Battery SR44 1,5 V |



573-645-20



573-646-20  
Point jaw type

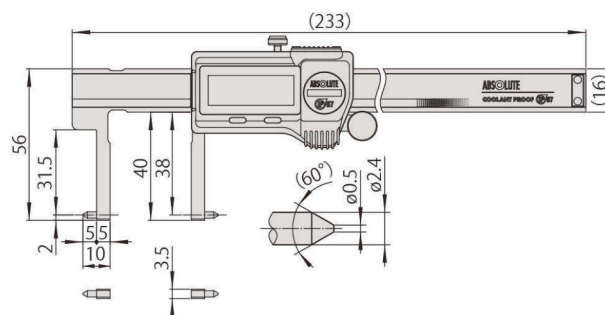
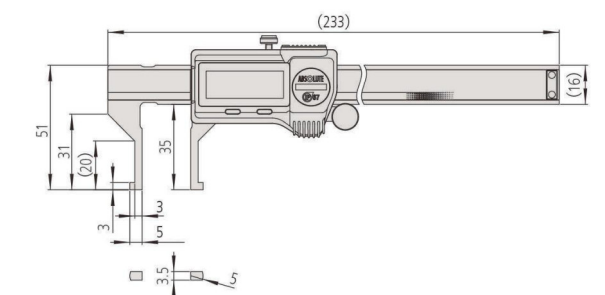
### Metric

| No.        | Range [mm] | Depth bar | Thumb roller | Max. Permissible Error S MPE | OFFSET | Mass [g] |
|------------|------------|-----------|--------------|------------------------------|--------|----------|
| 573-645-20 | 10,1-160   | Without   | ●            | ±0,05 mm                     | 10 mm  | 147      |
| 573-647-20 | 10,1-160   | Without   |              | ±0,05 mm                     | 10 mm  | 147      |

### Metric

#### Point jaw type

| No.        | Range [mm] | Depth bar | Thumb roller | Max. Permissible Error S MPE | OFFSET | Mass [g] |
|------------|------------|-----------|--------------|------------------------------|--------|----------|
| 573-646-20 | 20,1-170   | Without   | ●            | ±0,03 mm                     | 20 mm  | 157      |
| 573-648-20 | 20,1-170   | Without   |              | ±0,03 mm                     | 20 mm  | 157      |

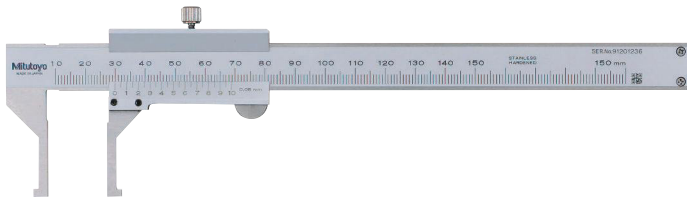


Point jaw type

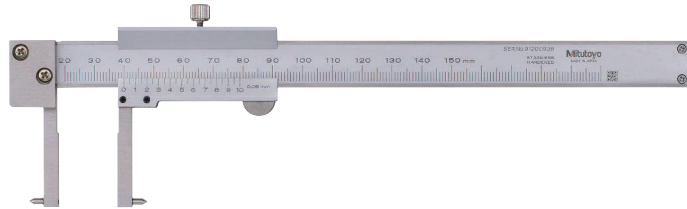
# Inside Calipers

## Series 536

- Specially designed for inside measurements in hard-to-reach places.



536-145



536-146  
Point jaw type

### Metric

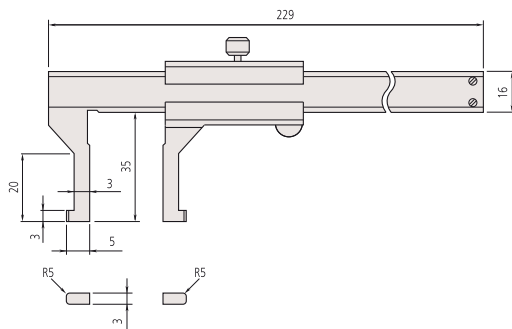
| No.     | Range [mm] | Graduation | Depth bar | Max. Permissible Error S MPE | Mass [g] |
|---------|------------|------------|-----------|------------------------------|----------|
| 536-145 | 10,1–150   | 0,05 mm    | Without   | ±0,05 mm                     | 130      |

### Metric

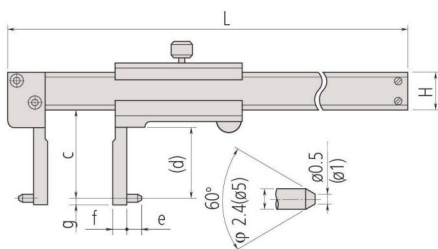
#### Point jaw type

| No.     | Range [mm] | Graduation | Depth bar | Max. Permissible Error S MPE | L [mm] | c [mm] | d [mm] | e [mm] | f [mm] | g [mm] | H [mm] |
|---------|------------|------------|-----------|------------------------------|--------|--------|--------|--------|--------|--------|--------|
| 536-146 | 20,1–150   | 0,05 mm    | Without   | ±0,05 mm                     | 229    | 38     | 31     | 5      | 5      | 2      | 16     |
| 536-147 | 30,1–300   | 0,05 mm    | Without   | ±0,08 mm                     | 403    | 98     | 89     | 5      | 10     | 2      | 20     |
| 536-148 | 70,1–450   | 0,05 mm    | Without   | ±0,1 mm                      | 610    | 145    | 136    | 10     | 25     | 5      | 25     |
| 536-149 | 70,1–600   | 0,05 mm    | Without   | ±0,12 mm                     | 750    | 145    | 136    | 10     | 25     | 5      | 25     |

| No.     | Mass [g] |
|---------|----------|
| 536-146 | 140      |
| 536-147 | 370      |
| 536-148 | 1250     |
| 536-149 | 1430     |



536-145

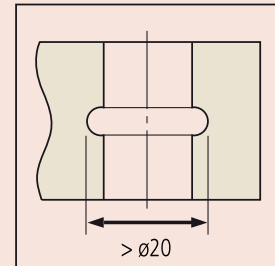
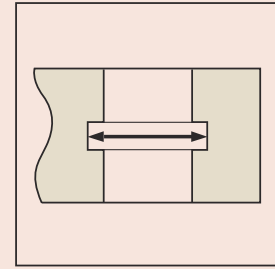


Point jaw type

## Specifications

Delivered

In a case



# Tube Thickness Calipers

## Series 573

These tube thickness calipers are designed especially for round-shaped workpieces.

They offer you the following benefits:

- The beam-mounted jaw is a round bar that lets you easily measure tube wall thickness.



| Functions                            | Series 573 |
|--------------------------------------|------------|
| ORIGIN (ABS-Zero)                    | ●          |
| Auto Power OFF after 20 min. non use | ●          |
| Low voltage alarm                    | ●          |
| Data output                          | ●          |

### Specifications

|                     |                                  |
|---------------------|----------------------------------|
| Digital step        | 0,01 mm                          |
| Max. response speed | Unlimited                        |
| Display             | LCD, character height 9 mm       |
| Battery life        | Approx. 5 years under normal use |
| Delivered           | In a case, including 1 battery   |

### Optional accessories

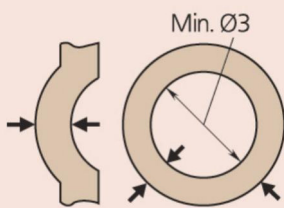
| No.       | Description   |
|-----------|---|
| 05CZA624  | Digimatic Cable with Data Button IP Type, 1 m, Caliper Type   |
| 05CZA625  | Digimatic Cable with Data Button IP Type, 2 m, Caliper Type   |
| 06AFM380A | USB Input Tool Direct (Digimatic to USB), 2m Cable, Digimatic/Digimatic 2, with Data Button IP Caliper Type |
| 264-620   | U-WAVE fit, IP67 Type, Wireless Transmitter for Caliper   |
| 264-621   | U-WAVE fit, Buzzer Type, Wireless Transmitter for Caliper   |
| 264-624   | U-WAVE fit Bluetooth, IP67 Type, Wireless Transmitter for Caliper   |
| 264-625   | U-WAVE fit Bluetooth, Buzzer Type, Wireless Transmitter for Caliper   |
| 02AZF310  | Connection Unit for IP Caliper, Micrometer, with Data Button for U-WAVE fit, U-WAVE fit Bluetooth           |

### Consumable spares

| No.      | Description        |
|----------|--------------------|
| 63AAA800 | Battery SR44 1,5 V |

### Specifications

|           |           |
|-----------|-----------|
| Delivered | In a case |
|-----------|-----------|

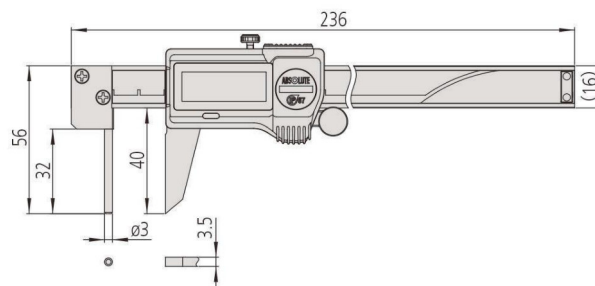


573-661-20



### Metric

| No.        | Range [mm] | Depth bar | Thumb roller | Max. Permissible Error E MPE | Mass [g] |
|------------|------------|-----------|--------------|------------------------------|----------|
| 573-661-20 | 0-150      | Without   | ●            | ±0,05 mm                     | 167      |
| 573-662-20 | 0-150      | Without   |              | ±0,05 mm                     | 167      |

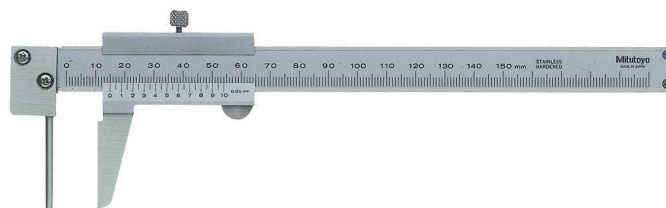


## Series 536

These Tube Thickness Calipers are designed especially for round-shaped workpieces.

They offer you the following benefits:

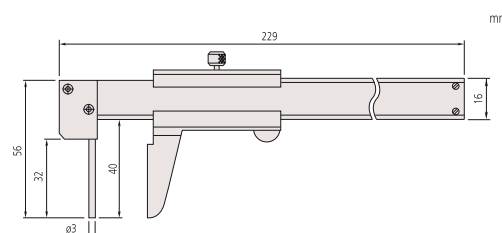
- The beam-mounted jaw is a round bar that lets you easily measure tube wall thickness.



536-161

### Metric

| No.     | Range [mm] | Graduation | Depth bar | Max. Permissible Error E MPE | Mass [g] |
|---------|------------|------------|-----------|------------------------------|----------|
| 536-161 | 0-150      | 0,05       | Without   | ±0,05 mm                     | 150      |



# Vernier Hook Type Calipers

## Series 536

These Vernier Hook Type Calipers enable you to measure the width of grooves and lands inside bores and recesses.



536-171

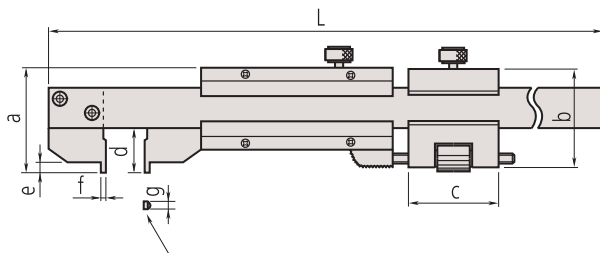


536-172

### Metric

| No.     | Range [mm] | Graduation | Depth bar | Max. Permissible Error E MPE |
|---------|------------|------------|-----------|------------------------------|
| 536-171 | 0-200      | 0,02 mm    | Without   | ±0,03 mm                     |
| 536-172 | 0-200      | 0,02 mm    | Without   | ±0,03 mm                     |

| No.     | Max. Permissible Error S MPE | L [mm] | a [mm] | b [mm] | c [mm] | d [mm] | e [mm] | f [mm] | g [mm] | Mass [g] |
|---------|------------------------------|--------|--------|--------|--------|--------|--------|--------|--------|----------|
| 536-171 | ±0,03 mm                     | 320    | 28     |        |        | 12     | 4      | 5      | 3,5    | 170      |
| 536-172 | ±0,03 mm                     | 320    | 28     | 28,5   | 20     | 12     | 4      | 1      | 3,5    | 200      |

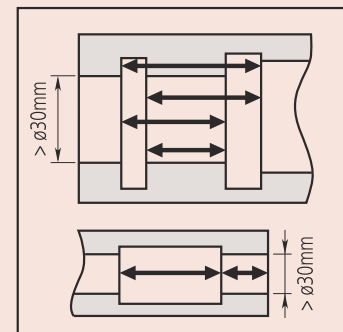
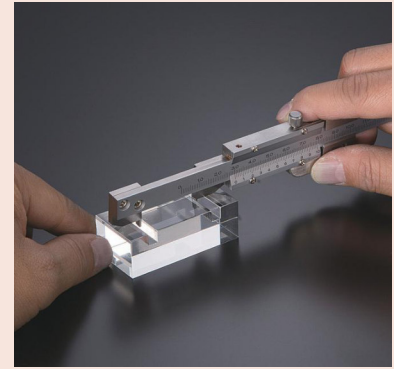


Measuring face  
536-171: Radius 5 mm  
536-172: flat

## Specifications

Delivered

In a case

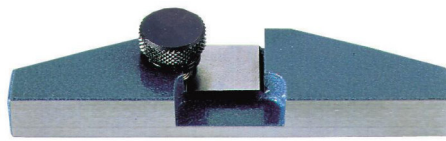


# Optional Accessories for Calipers

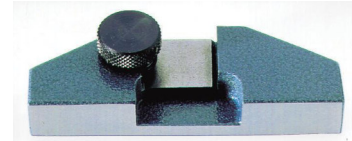
## Depth base attachment

This is an optional depth base attachment for calipers. It offers you the following benefits:

- For digital, vernier and dial calipers which have a depth measuring bar.
- Finely ground base surface.
- Secure locking clamp.



050084-10



050083-10

### Metric

| No.       | Applicable measuring range of caliper | a [mm] | b [mm] | c [mm] | d [mm] | e [mm] | Mass [g] |
|-----------|---------------------------------------|--------|--------|--------|--------|--------|----------|
| 050083-10 | 100, 150 and 200 mm                   | 25     | 75     | 24,5   | 9      | 16     | 130      |
| 050084-10 | 100, 150 and 200 mm                   | 25     | 100    | 24,5   | 9      | 16     | 160      |
| 050085-10 | 300 mm                                | 30     | 125    | 28,5   | 11,5   | 20     | 270      |

