



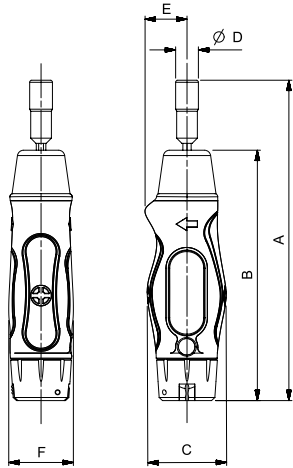
TORQUE SCREWDRIVERS



Versatile, accurate and easy torquing for smaller fasteners and restricted spaces

- Accuracy to ±6% meets the requirements of ISO 6789-1:2017
- Supplied with ¼" hexagon bit holder
- Single scale, either N·m or lbf·in

NOTE: Bit set is only sold separately or as part of kit - see website for bit set details



MODEL	ALL MODELS	
Dimensions (mm)	A	155
	B	121
	C	38
	∅D	11
	E	20
	F	31
Weight (kg)	0.2	

2	ADJUSTABLE N·m
13850	TTs1.5, ¼", 0.3 - 1.5 N·m
13851	TTs3.0, ¼", 0.6 - 3 N·m
13852	TTs6.0, ¼", 1.2 - 6 N·m

2	ADJUSTABLE lbf·in
13853	TTs13, ¼", 2.5 - 13 lbf·in
13854	TTs26, ¼", 5 - 26 lbf·in
13855	TTs53, ¼", 10 - 53 lbf·in

2	PRODUCTION 'P' TYPE
13856	TTs1.5, ¼", 0.3 - 1.5 N·m, 2.5 - 13 lbf·in
13857	TTs3.0, ¼", 0.6 - 3 N·m, 5 - 26 lbf·in
13858	TTs6.0, ¼", 1.2 - 6 N·m, 10 - 53 lbf·in
SQ2222	Pre-set, etch and certify (Allow 3 days delivery for this service)

2	ADJUSTABLE N·m KIT
13700	TTs0.3 - 1.5 N·m Kit with 12 piece bit set and case
13701	TTs0.6 - 3 N·m Kit with 12 piece bit set and case
13702	TTs1.2 - 6 N·m Kit with 12 piece bit set and case
28937	12 Piece ¼", Hex bit set

PROFESSIONAL TORQUE WRENCHES MODEL 5



The Model 5 is a unique torque wrench that offers the convenience of interchangeable ¼" hexagon bits. (ISO 1173:2001 Form C drive bits).

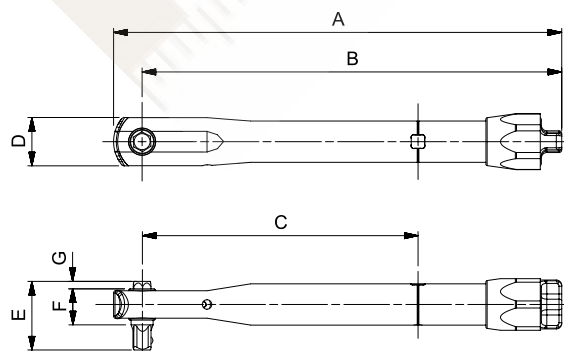
- Accuracy meets the requirements of ISO 6789-1:2017
- Non-length dependent. The Model 5 remains accurate regardless of hand position
- Supplied in a storage case. The case allows space for the storage of additional drive bits

2	ADJUSTABLE
13001	Pro 5, ¼" female hex, 1 - 5 N·m
13002	Pro 5, ¼" female hex, 10 - 50 lbf·in
13003	Pro 5, ¼" female hex, 10 - 50 kgf·cm

Also available as Production 'P' Types, preventing unauthorised alteration of torque setting. No external calibration equipment is required to set the Model 5 'P' Type.

2	PRODUCTION 'P' TYPE
13004	Pro 5, ¼" female hex, 1 - 5 N·m
13005	Pro 5, ¼" female hex, 10 - 50 lbf·in
13006	Pro 5, ¼" female hex, 10 - 50 kgf·cm

8	MODEL 5 SPARES
28900	¼" Hex to ¼" male square drive



Model 5 'P' Type in storage case

Model	Adjustable	'P' Type	
Part Number	13001	13004	
	13002	13005	
	13003	13006	
	Dimensions (mm)	A	165
		B	155
		C	102
		D	18
E		25	
F	13		
G	2.8		
Weight (kg)	0.1	0.1	