



TRUCHECK™ 2 (0.1 - 30 N·m)



TruCheck™ 2 Plus 3 N·m



TruCheck™ 2 with Torque Screwdriver (not included)

4	TRUCHECK 2 (0.1 - 30 N·m)
43514*	TruCheck 2, 0.1 - 3 N·m
43515*	TruCheck 2 Plus, 0.1 - 3 N·m
43516*	TruCheck 2, 0.5 - 10 N·m
43517*	TruCheck 2 Plus, 0.5 - 10 N·m
43518*	TruCheck 2, 1.5 - 30 N·m
43563*	TruCheck 2 Plus, 1.5 - 30 N·m

* 43514, 43515, 43516 and 43517 supplied with ¼" male hexagon and ¼" female sq. dr. adapter

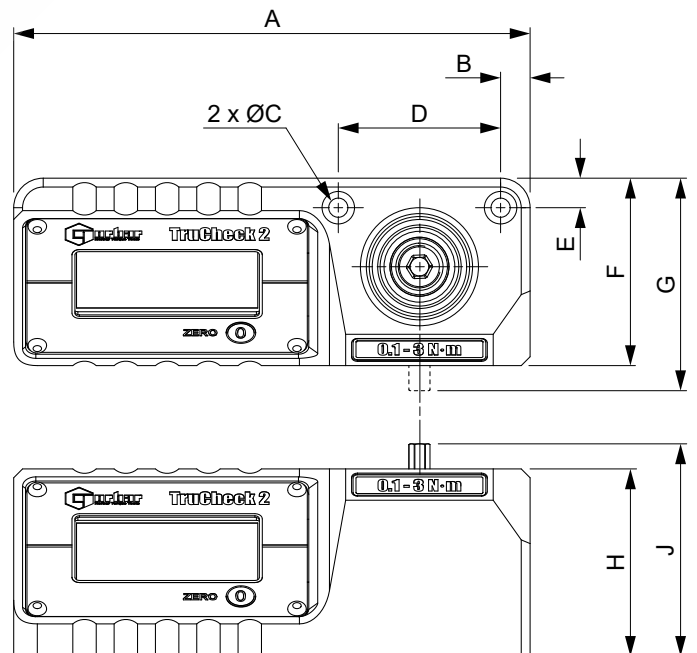
+ 43518 and 43563 supplied with 10 mm male hexagon, ¼" and ⅜" female sq. dr. adapter

12	
TCACC.CW	UKAS accredited calibration all sizes - clockwise
TCACC.	UKAS accredited calibration all sizes - clockwise and counter-clockwise
CW+CCW	counter-clockwise

NOTE: If you order a UKAS accredited calibration, this certificate will be provided in place of the traceable calibration certificate and over the operating range as indicated on the device.

NOTE: For applicable Joint Simulators please refer to the FMT (Ancillary Section) on page page 96

Model	TruCheck 2/Plus 0.1 - 3.0 N·m 0.5 - 10 N·m	TruCheck 2/Plus 1.5 - 30 N·m	
Part Number	43514, 43515, 43516, 43517	43518, 43563	
Range	0.1 - 3.0 N·m 0.5 - 10 N·m	1.5 - 30 N·m	
In-Built Transducer Male Hex Drive Size	¼"	10 mm	
Dimensions (mm)	A	175	175
	B	10	10
	ØC	6.5	6.5
	D	55	55
	E	10	10
	F	64	64
	G	N/A	72
	H	64	64
J	72	N/A	
Weight (kg)	1.4	1.4	



NOTE: The male hexagon on the 3 N·m and 10 N·m models is vertically aligned. The 30 N·m model male hexagon is horizontally aligned.