



TRUCHECK™ 2 (3 - 2,100 N·m)



4	TRUCHECK 2 (3 - 2,100 N·m)
43520*	TruCheck 2, 3 - 65 N·m
43521*	TruCheck 2 Plus, 3 - 65 N·m
43522*	TruCheck 2, 10 - 260 lbf-ft
43523*	TruCheck 2 Plus, 10 - 260 lbf-ft
43524*	TruCheck 2, 10 - 350 N·m
43525*	TruCheck 2 Plus, 10 - 350 N·m
43528®	TruCheck 2, 40 - 800 lbf-ft
43529®	TruCheck 2 Plus, 40 - 800 lbf-ft
43530®	TruCheck 2, 50 - 1,100 N·m
43531®	TruCheck 2 Plus, 50 - 1,100 N·m
43532^	TruCheck 2, 200 - 2,100 N·m
43533^	TruCheck 2 Plus, 200 - 2,100 N·m
29191	¾" sq. dr. adapter for 27 mm male hexagon
29403	1" sq. dr. adapter for 27 mm male hexagon

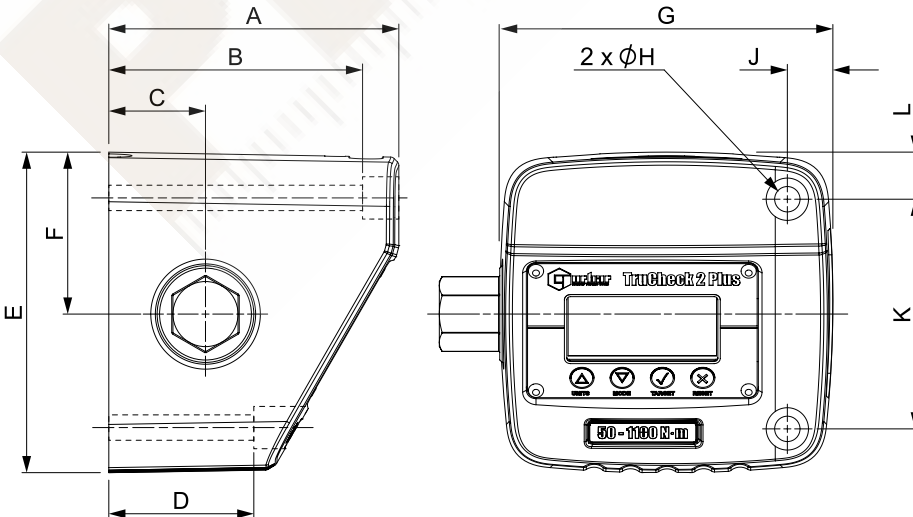
* 43520 and 43521 supplied with ⅝" female square drive
 + 43522, 43523, 43524 and 43525 supplied with ½" female square drive
 ® 43528, 43529, 43530 and 43531 supplied with 27 mm male hexagon plus ¾" female sq. dr. adapter
 ^ 43532 and 43533 supplied with 27 mm male hexagon plus 1" female sq. dr. adapter.

12	
TCACC.CW	UKAS accredited calibration all sizes - clockwise
TCACC. CW+CCW	UKAS accredited calibration all sizes - clockwise and counter-clockwise

NOTE: If you order a UKAS accredited calibration, this certificate will be provided in place of the traceable calibration certificate and over the operating range as indicated on the device.



TruCheck™ 2 Plus 1100 shown with a Power Tool Test Fixture (not included - see page page 103) allowing for cost-effective checking of power tools



TruCheck™ 2 Plus
1,100 N·m

TruCheck™ 2 Plus
350 N·m

TruCheck™ 2 Report Print Software

The Norbar report print software allows you to test the output of a torque wrench. The software will capture readings from your TruCheck™ 2 instrument and save them in a database and allow you to produce a customised report that can be shared or stored.

Model	TruCheck 2/Plus 3 - 65 N·m 10 - 260 lbf-ft 10 - 350 N·m	TruCheck 2/Plus 40 - 800 lbf-ft 50 - 1,100 N·m 200 - 2,100 N·m
Part Number	43520, 43521, 43522, 43523, 43524, 43525	43528, 43529, 43530, 43531, 43532, 43533
Dimensions (mm)	A	110
	B	95
	C	40
	D	50
	E	117
	F	59
	G	138
	ØH	10.5
J	19	
K	80	
L	19	
Weight (kg)	2.6	3.5