

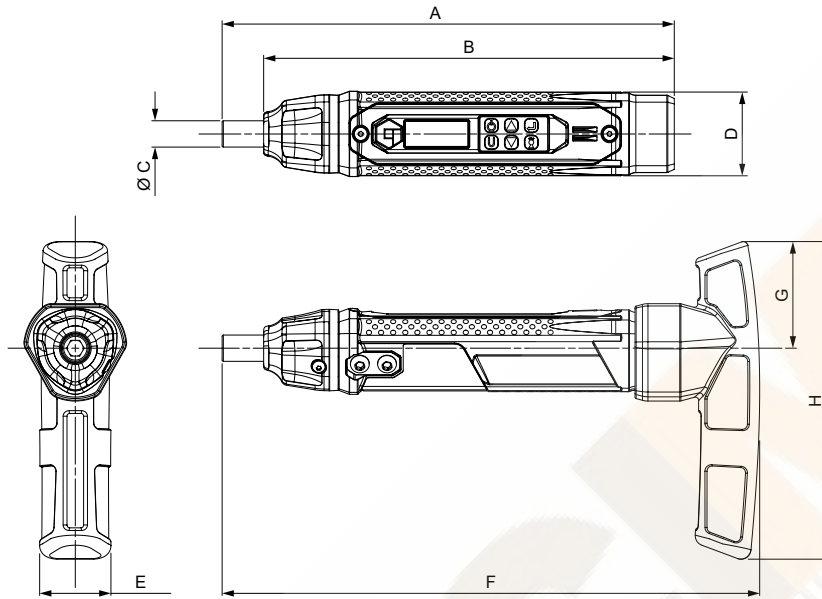


PROTRONIC® PLUS ELECTRONIC TORQUE SCREWDRIVER



4 PROTRONIC PLUS
130524 ProTronic Plus 9, ¼" Female Hex, 0.45 - 9 N-m

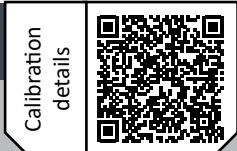
The ProTronic® Plus Screwdriver retains all the features of the ProTronic® standard and Plus Wrench in a smaller tool with flush fitted buttons to avoid accidental activation during use.



Model	ProTronic Plus 9 ¼"	
Part Number	130524	
Dimensions (mm)	A	190
	B	173
	Ø C	11
	D	35
	E	30
	F	226
	G	44
	H	131
Weight (kg) without Handle	0.21	
Weight (kg) with handle	0.33	

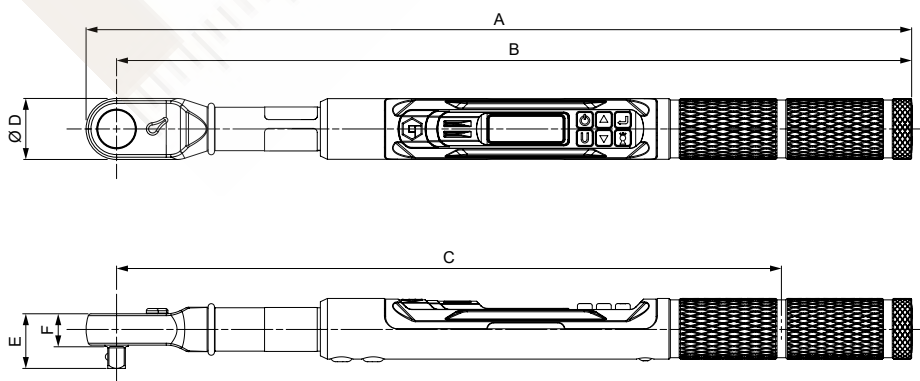


PROTRONIC® PLUS MODEL 10 AND MODEL 30



The ProTronic® Plus Model 10 and Model 30 retain all the features of the ProTronic® standard and Plus Wrench in a more compact design allowing for lower torque and access to more space limited applications.

4 PROTRONIC PLUS
130522 ProTronic Plus 10, ¼", 0.5 - 10 N-m
130523 ProTronic Plus 30, ¼", 1.5 - 30 N-m



Model	ProTronic Plus 10 ¼"	ProTronic Plus 30 ¼"
Part Number	130522	130523
Dimensions (mm)	A	282
	B	271
	C	234
	ØD	22
	E	20
	F	12
Weight (kg)	0.39	0.42