



TT TORQUE WRENCHES



For no-nonsense torquing - comfortable, accurate and easy to use

- Accurate to ±3% of reading which meets the requirements of ISO 6789-1:2017
- Micrometer scale for simple and error free setting
- All models feature a lock to prevent accidental adjustment of the set torque
- Handle and lens materials resistant to commonly used industrial chemicals



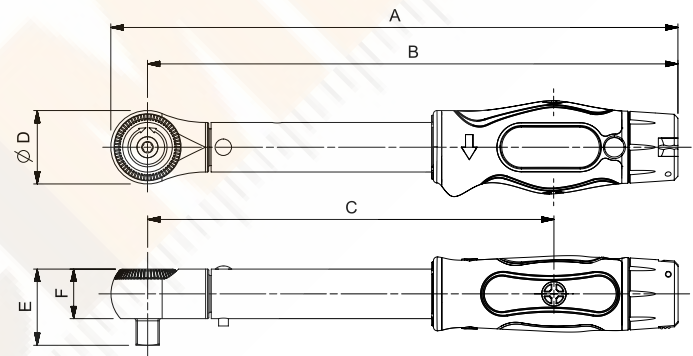
Model	TT Torque Wrenches / Non-Magnetic				
	TTi20 TTi15	TTi50 TTi35	TTfth20	TTfth50	
Part Number	13830, 13831, 13832, 13833, 13900, 13901, 130503, 130504	13841, 13842, 13843, 13844, 13902, 13903, 13906, 13907	13839, 13840	13847, 13848	
Dimensions (mm)	A	232	328	214	310
	B	217	313	204	300
	C	166	263	153	250
	∅D	30	30	22	22
	E	31	31	17	17
	F	20	20	N/A	N/A
Weight (kg)	0.5	0.7	0.4	0.6	

2	RATCHET ADJUSTABLE - DUAL SCALE
13830	TTi20, ¼", 4 - 20 N·m, 35 - 180 lbf·in
13831	TTi20, ⅜", 4 - 20 N·m, 35 - 180 lbf·in
13841	TTi50, ⅜", 10 - 50 N·m, 8 - 35 lbf·ft
13842	TTi50, ½", 10 - 50 N·m, 8 - 35 lbf·ft

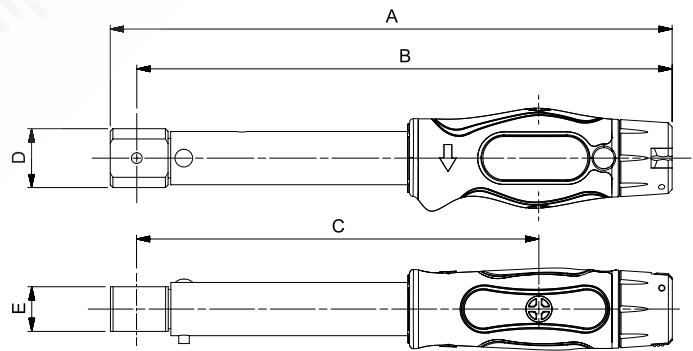
2	RATCHET ADJUSTABLE - N·m ONLY
13832	TTi20, ¼", 4 - 20 N·m
13833	TTi20, ⅜", 4 - 20 N·m
13843	TTi50, ⅜", 10 - 50 N·m
13844	TTi50, ½", 10 - 50 N·m

2	FEMALE TORQUE HANDLE ADJUSTABLE
13839	TTfth 20, 9 x 12 mm, 4 - 20 N·m, 35 - 180 lbf·in
13847	TTfth 50, 9 x 12 mm, 10 - 50 N·m, 8 - 35 lbf·ft
13840	TTfth 20, 9 x 12 mm, 4 - 20 N·m (N·m ONLY)
13848	TTfth 50, 9 x 12 mm, 10 - 50 N·m (N·m ONLY)

TTi Ratchet / Non-Magnetic



TTfth Female Torque Handle



TTI NON-MAGNETIC TORQUE WRENCHES



Carefully selected and tested materials replace the ferrous components present in standard torque wrenches, thereby giving an extremely low magnetic footprint. Being based on the TT range of torque wrenches means that they also retain the high standards of Norbar's other torque wrenches. Perfect for MRI scanner applications.

4	ADJUSTABLE - DUAL SCALE
13900	TTi20, ⅜" Non-Mag, 4 - 20 N·m, 35 - 180 lbf·in
13901	TTi20, ½" Non-Mag, 4 - 20 N·m, 35 - 180 lbf·in
13902	TTi50, ⅜" Non-Mag, 10 - 50 N·m, 8 - 35 lbf·ft
13903	TTi50, ½" Non-Mag, 10 - 50 N·m, 8 - 35 lbf·ft

4	ADJUSTABLE - N·m ONLY
130503	TTi20, ⅜" Non-Mag, 3 - 20 N·m
130504	TTi20, ½" Non-Mag, 3 - 20 N·m
13906	TTi50, ⅜" Non-Mag, 10 - 50 N·m
13907	TTi50, ½" Non-Mag, 10 - 50 N·m