



PNEUTORQUE® PTS™ SERIES



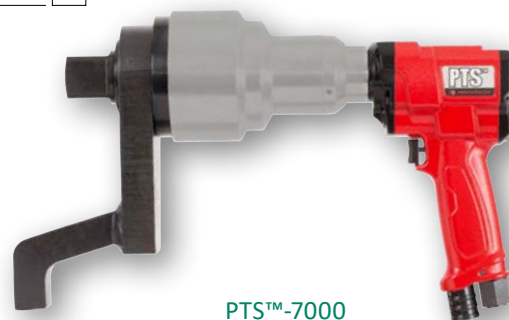
Model	PTS-500 PTS-800	PTS-1000 PTS-1350	PTS-1000 Auto Two Speed PTS-1350 Auto Two Speed	PTS-2000	PTS-2700	PTS-2700 Auto Two Speed	PTS-4000	PTS-4000 Auto Two Speed	PTS-7000	PTS-7000 Auto Two Speed	
Part Number	180241.B06 180242.B06	180243.B06 180244.B08	180781 180782	181454	180246.B08	180784	180250.B08	180785	180249.B12	180788	
Output Speed (rpm)	35.5 (PTS-52-500) 25.7 (PTS-52-800)	20.4 (PTS-72-1000) 14.7 (PTS-72-1350)	100 (PTS-72-1000) 75 (PTS-72-1350)	9.2	7.3	30	5.3	22	2.6	13	
Dimensions (mm)	∅D max.	52	72	72	68	80	80	92	92	119	119
	H1	30	30	30	30	30	30	30	30	30	30
	H2	243	243	243	243	243	243	243	243	243	243
	L	264	292	310	285	291	327	343	374	369	406
	R1	59	74	74	74	74	74	74	75	90	90
	R2 min.	71	124	124	120	124	124	125	125	160	160
	R2 max.	131	165	167	165	165	167	175	175	210	210
Tool Weight (kg)	4.2	6.2	6.28	5.35	6.2	7.45	8.59	8.89	12.5	12.8	
Reaction Weight (kg)	0.9	1.4	1.4	1.1	1.4	1.4	2.5	2.5	3.9	3.9	



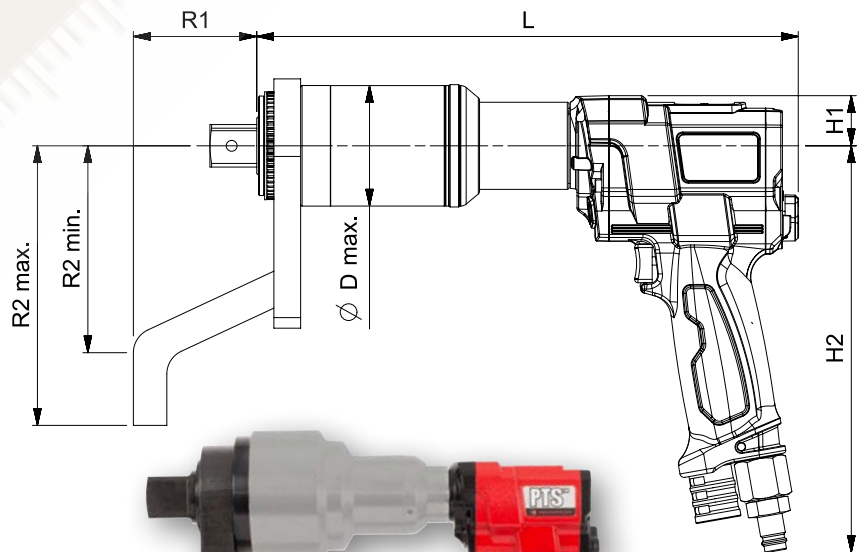
PTS™-2000



PTS™-2700



PTS™-7000





PNEUTORQUE® PTS™ REMOTE SERIES



Remote control versions have no direction control on the tool but rely on external pneumatic circuitry to provide this function. This opens up numerous application possibilities for the PneuTorque® ranging from simple stall shut-off in a hazardous working environment to sophisticated, multi-spindle torque and angle shut-off systems.

- Designed to offer excellent power-to-weight ratio
- ±3% repeatability of reading from 20% to 100% of range
- Replaceable square drive

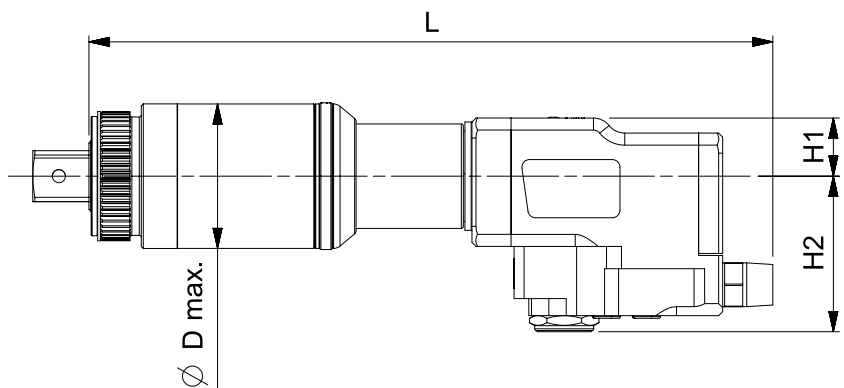
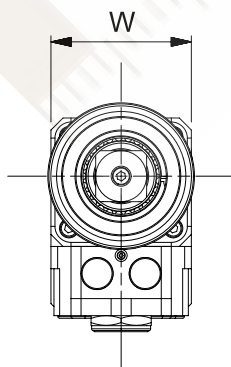
NOTE: For full versatility, PTS™ Remotes are supplied without reaction see pages 70-71 for options or discuss bespoke engineered options with Norbar.

11	PTS REMOTE SERIES
180271.B06	¾" sq. dr., 100 - 500 N·m, 74 - 370 lbf·ft
180272.B06	¾" sq. dr., 160 - 800 N·m, 118 - 590 lbf·ft
180273.B06	¾" sq. dr., 200 - 1,000 N·m, 147 - 738 lbf·ft
180274.B08	1" sq. dr., 270 - 1,350 N·m, 200 - 1,000 lbf·ft
181455	1" sq. dr., 400 - 2,000 N·m, 295 - 1,475 lbf·ft
180276.B08	1" sq. dr., 540 - 2,700 N·m, 398 - 1,991 lbf·ft
180295.B08	1" sq. dr., 800 - 4,000 N·m, 590 - 2,950 lbf·ft
180279.B12	1½" sq. dr., 1,400 - 7,000 N·m, 1,030 - 5,200 lbf·ft

11	PTS REMOTE SERIES - AUTO TWO SPEED
180789	¾" sq. dr., 200 - 1,000 N·m, 147 - 738 lbf·ft
180790	1" sq. dr., 270 - 1,350 N·m, 200 - 1,000 lbf·ft
180792	1" sq. dr., 540 - 2,700 N·m, 398 - 1,991 lbf·ft
180793	1" sq. dr., 800 - 4,000 N·m, 590 - 2,950 lbf·ft
180796	1½" sq. dr., 1,400 - 7,000 N·m, 1,030 - 5,200 lbf·ft

Model	PTS REMOTE-500	PTS REMOTE-800	PTS REMOTE-1000	PTS REMOTE-1350	PTS REMOTE-2000	PTS REMOTE-2700	PTS REMOTE-4000	PTS REMOTE-7000
Part Number	180271.B06	180272.B06	180273.B06	180274.B08	181455	180276.B08	180295.B08	180279.B12
Output Speed (rpm)	27.8	20.1	16	11.5	7.2	5.7	4.1	2
Dimensions (mm)	∅D max.	52	52	72	72	68	80	119
	H1	29	29	29	29	29	29	29
	H2	78	78	78	78	78	78	78
	L	284	284	311	311	302	311	362
	W	70	70	70	70	70	70	70
Tool Weight (kg)	4.1	4.1	6.1	6.1	5.25	6.1	8.9	12.4

Model	PTS REMOTE-1000 Auto Two Speed	PTS REMOTE-1350 Auto Two Speed	PTS REMOTE-2700 Auto Two Speed	PTS REMOTE-4000 Auto Two Speed	PTS REMOTE-7000 Auto Two Speed
Part Number	180789	180790	180792	180793	180796
Output Speed (rpm)	78	56	22	20	10
Dimensions (mm)	∅D max.	72	72	80	92
	H1	29	29	29	29
	H2	78	78	78	78
	L	330	330	344	395
	W	70	70	70	70
Tool Weight (kg)	6.2	6.2	7.0	9.3	12.78





ET, ET2, PTS™ AND PTM NOSE EXTENSIONS

Special nose extension reaction devices are available for use in situations where the tool access is restricted. A typical application is the rear wheel nuts on heavy vehicles.



11 NOSE EXTENSIONS FOR 52 SERIES

18601.006	6" long, F/M 3/4" sq. dr.
18601.009	9" long, F/M 3/4" sq. dr.
18601.012	12" long, F/M 3/4" sq. dr.

F/M = Female input square/Male output square

11 NOSE EXTENSIONS FOR 72 SERIES

19007.006	6" long, SPM/M 1" sq. dr.
19007.009	9" long, SPM/M 1" sq. dr.
19007.012	12" long, SPM/M 1" sq. dr.

11 NOSE EXTENSIONS FOR 80 SERIES

19480.009	9" long, SPM/M 1" sq. dr.
19480.012	12" long, SPM/M 1" sq. dr.

SPM/M = Spline Male input/Male output square

11 SPLINED NOSE EXTENSIONS FOR 72/92 SERIES 1" DRIVE

19285.006	ET2/EBT/PTS/PTM-72 6" long, 1" sq. dr.
19285.009	ET2/EBT/PTS/PTM-72 9" long, 1" sq. dr.
19285.012	ET2/EBT/PTS/PTM-72 12" long, 1" sq. dr.
19047.006	ET2/EBT/PTS/PTM-92 6" long, 1" sq. dr.
19047.009	ET2/EBT/PTS/PTM-92 9" long, 1" sq. dr.
19047.012	ET2/EBT/PTS/PTM-92 12" long, 1" sq. dr.

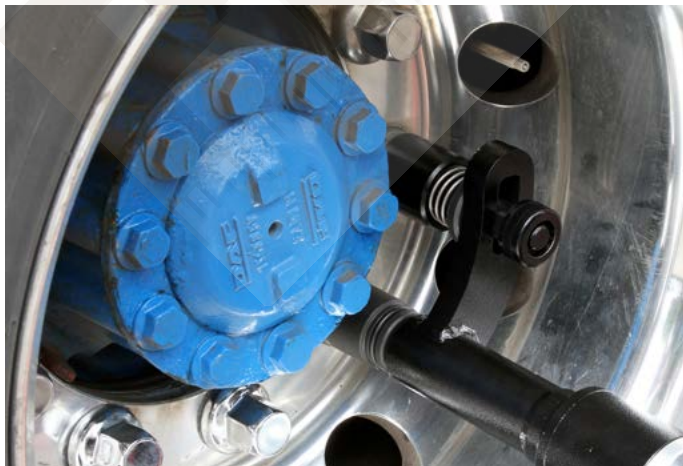


11 SPLINED NOSE EXTENSIONS FOR 52 SERIES

19045.006	6" long, 3/4" sq. dr.
19045.009	9" long, 3/4" sq. dr.
19045.012	12" long, 3/4" sq. dr.

11 SPLINED NOSE EXTENSIONS FOR 72 SERIES 3/4" DRIVE

19046.006	6" long, 3/4" sq. dr.
19046.009	9" long, 3/4" sq. dr.
19046.012	12" long, 3/4" sq. dr.



The TrukTorque™ nose extension features a special curved reaction arm designed to handle bolt tightening on the front and rear wheels of trucks and buses. The design easily accommodates wheel trims and deeply recessed wheel bolts.

11 NOSE EXTENSIONS FOR TRUCK AND BUS WHEELS (Fits PTM-72)

19087.009	1,000 N·m, 9" long, 3/4" sq. dr
19087.012	1,000 N·m, 12" long, 3/4" sq. dr
19089.009	1,000 N·m, 9" long, 1" sq. dr
19089.012	1,000 N·m, 12" long, 1" sq. dr