



## CLICKTRONIC® TORQUE WRENCHES



A first for our range of torque wrenches, ClickTronic® combines the accuracy, durability and comfort from the mechanism of the tried and tested Professional wrench with a dynamic, easy to use, digital readout all packaged in a sleek, aesthetically appealing product.

- Accurate to  $\pm 3\%$  of reading which meets the requirements of ISO 6789-2:2017
- Supplied with a traceable 'Calibration Certificate' allowing end users to adhere to more stringent quality control processes
- OLED display provides a clear and easy to read display, which helps to significantly reduce setting errors
- Multiple torque units selectable by operator
- The lock is a push/pull type. It is faster and more intuitive to use. A coloured band on the lock clearly shows that the wrench is unlocked
- Utilises a rechargeable lithium battery which is charged using a mini USB lead
- Square drive adaptors are provided with the 50 N·m and 100 N·m Industrial Ratchet models

### Timestrip® Feature

Torque wrenches should be calibrated once a year as a minimum, more frequently in harsh environments and with high levels of usage. Norbar's Timestrip® gives a visual indication that the wrench is due for re-calibration and has 3, 6, 9 and 12 month graduations. (Timestrip® is a registered trademark of Timestrip UK Ltd).



Lock Adjustment Knob



Mini USB



Timestrip®



Digital Scale



### Automotive Ratchet

These compact ratchets allow rapid direction change enabling you to, for example, back off a nut that you have tightened. Torque control is in the clockwise direction only.

2	AUTOMOTIVE RATCHET (Reversible)
15152	ClickTronic 50, $\frac{3}{8}$ ", 10 - 50 N·m
15153	ClickTronic 50, $\frac{1}{2}$ ", 10 - 50 N·m
15154	ClickTronic 100, $\frac{3}{8}$ ", 20 - 100 N·m
15155	ClickTronic 100, $\frac{1}{2}$ ", 20 - 100 N·m
15156	ClickTronic 200, $\frac{1}{2}$ ", 40 - 200 N·m



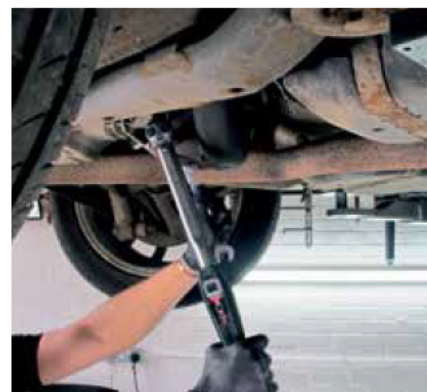
### Industrial Ratchet

The square drive of these robust ratchets can be removed and replaced in the other side of the ratchet head so that the wrench will give torque control in both the clockwise and counter-clockwise directions.

2	INDUSTRIAL RATCHET ('Mushroom' Head)
15166*	ClickTronic 50, $\frac{3}{8}$ ", 10 - 50 N·m
15167	ClickTronic 100, $\frac{1}{2}$ ", 20 - 100 N·m
15168	ClickTronic 200, $\frac{1}{2}$ ", 40 - 200 N·m
15157	ClickTronic 300, $\frac{1}{2}$ ", 60 - 300 N·m
15158	ClickTronic 340, $\frac{1}{2}$ ", 68 - 340 N·m

\* Supplied with  $\frac{1}{2}$ " sq. dr. adaptor

ˆ Supplied with  $\frac{3}{8}$ " sq. dr. adaptor





CLICKTRONIC® TORQUE WRENCHES



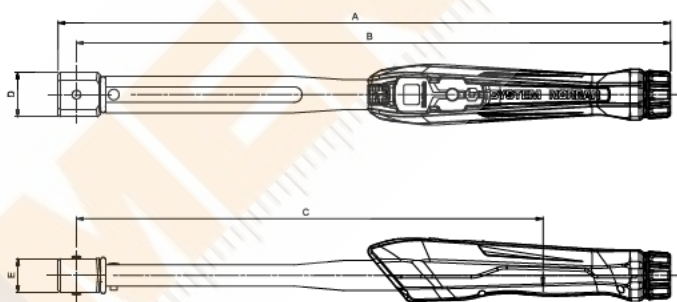
Female Torque Handle

Model	ClickTronic 50	ClickTronic 100	ClickTronic 200 9 x 12 mm	ClickTronic 200 14 x 18 mm	ClickTronic 300	ClickTronic 340
Part Number	15192	15193	15194	15195	15196	15197
Dimensions (mm)	A	330	371	450	457	575
	B	319	359	436	443	561
	C	223	264	341	349	465
	D	22	22	24	33	36
	E	20	20	19	25	28
Weight (kg)	0.7	0.8	0.9	1.0	1.2	1.3

Female Torque Handle

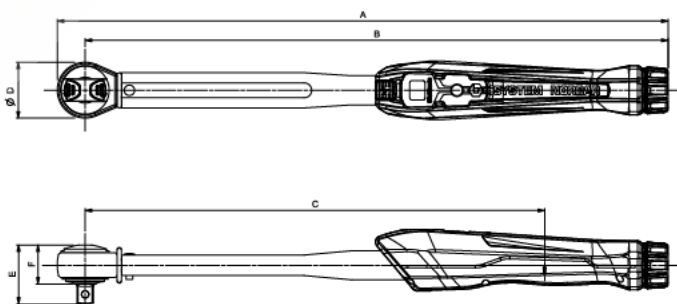
For many applications a spanner end fitting rather than a socket is the best or often, the only solution. Typically this will be because the joint is a pipe union (such as a brake pipe).

2	FEMALE TORQUE HANDLE
15192	ClickTronic 50, 9 x 12 mm, 10 - 50 N·m
15193	ClickTronic 100, 9 x 12 mm, 20 - 100 N·m
15194	ClickTronic 200, 9 x 12 mm, 40 - 200 N·m
15195	ClickTronic 200, 14 x 18 mm, 40 - 200 N·m
15196	ClickTronic 300, 14 x 18 mm, 60 - 300 N·m
15197	ClickTronic 340, 14 x 18 mm, 68 - 340 N·m



Automotive Ratchet

Model	ClickTronic 50 3/8"	ClickTronic 50 1/2"	ClickTronic 100 3/8"	ClickTronic 100 1/2"	ClickTronic 200	
Part Number	15152	15153	15154	15155	15156	
Dimensions (mm)	A	333	347	373	373	469
	B	318	318	358	358	449
	C	223	223	263	263	354
	ØD	30	30	30	30	42
	E	33	38	33	38	46
	F	22	22	22	22	30
Weight (kg)	0.8	0.8	0.8	0.8	1.1	



Industrial Ratchet

Model	ClickTronic 50	ClickTronic 100	ClickTronic 200	ClickTronic 300	ClickTronic 340	
Part Number	15166	15167	15168	15157	15158	
Dimensions (mm)	A	340	392	474	598	690
	B	322	370	452	572	664
	C	228	275	357	478	569
	ØD	35	45	45	52	52
	E	37	38	48	48	48
	F	26	32	32	33	33
Weight (kg)	0.8	1.0	1.1	1.5	1.6	

