



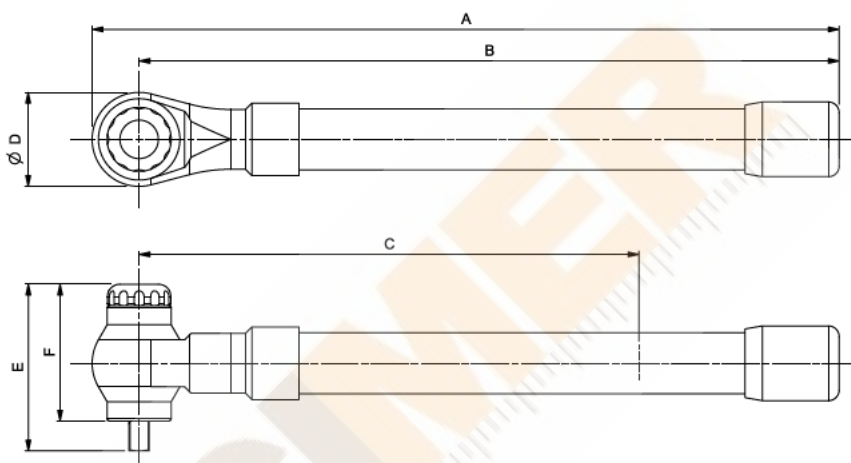
INSULATED TORQUE WRENCH



Using injection moulded Nylon 11, Norbar's insulated torque wrench complies with IEC 60900:2004 and is more durable than the traditional PVC dipped insulated tools. Certified to 1,000 volts.

4	ADJUSTABLE - DUAL SCALE
13870	TT60, 3/8", Insulated, 12 - 60 N·m, 8 - 44 lbf·ft
13871	TT60, 1/2", Insulated, 12 - 60 N·m, 8 - 44 lbf·ft

Model	All Models	
Part Number	13870 13871	
Dimensions (mm)	A	350
	B	328
	C	234
	ØD	44
	E	80
F	65	
Weight (kg)	0.9	



NORTORQUE® TETHERED TORQUE WRENCHES - FOR WORKING AT HEIGHT



Features inbuilt tethering point to secure the tool for safe work at height and double-sided locking plunger square

- Pinned in line with DROPS recommendation for ultra safe handling of sockets when working at height
- Built on a trusted, versatile torque wrench design
- Micrometer scale for simple and error free setting
- Lock feature helps prevent accidental adjustment of the set torque

2	RATCHET ADJUSTABLE - DUAL SCALE
130178	Model 100, 1/2", 20 - 100 N·m, 20 - 80 lbf·ft
130179	Model 200, 1/2", 40 - 200 N·m, 30 - 150 lbf·ft
130180	Model 300, 1/2", 60 - 300 N·m, 45 - 220 lbf·ft

Model	NorTorque Tethered Torque Wrenches		
	Model 100	Model 200	Model 300
Part Number	130178	130179	130180
Dimensions (mm)	A	375	459
	B	354	437
	C	252	335
	ØD	42	45
	E	53	59
	F	22	28
	G	16	16
Weight (kg)	0.9	1.1	1.5

