

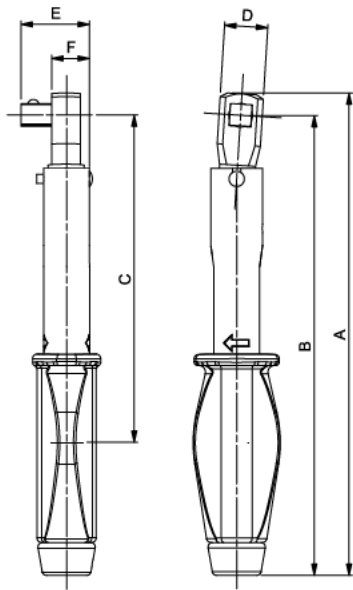


SLIMLINE™ TORQUE WRENCHES



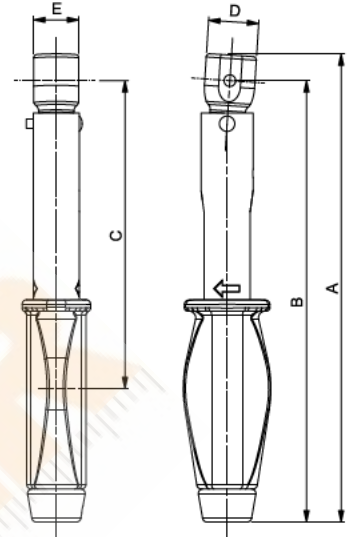
SLO Fixed Head

Model	SLO 3/8" Fixed Head	
Part Number	11125 11089	
Dimensions (mm)	A	213
	B	203
	C	145
	D	19
	E	30
	F	17
Weight (kg)	0.4	



SLO Female Torque Handle

Model	SLO FTH	
Part Number	11122 11088	
Dimensions (mm)	A	205
	B	194
	C	135
	D	22
	E	20
Weight (kg)	0.4	



PROFESSIONAL TORQUE WRENCHES MODEL 5



The Model 5 is a unique torque wrench that offers the convenience of interchangeable 1/4" hexagon bits. (ISO 1173:2001 Form C drive bits).

- Accuracy meets the requirements of ISO 6789-1:2017
- Non-length dependent. The Model 5 remains accurate regardless of hand position
- Supplied in a storage case. The case allows space for the storage of additional drive bits

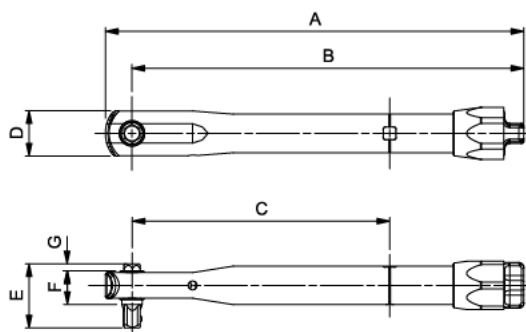
Also available as Production 'P' Types, preventing unauthorised alteration of torque setting. No external calibration equipment is required to set the Model 5 'P' Type.

2	ADJUSTABLE
13001	Pro 5, 1/4" female hex, 1 - 5 N·m
13002	Pro 5, 1/4" female hex, 10 - 50 lbf·in
13003	Pro 5, 1/4" female hex, 10 - 50 kgf·cm

2	PRODUCTION 'P' TYPE
13004	Pro 5, 1/4" female hex, 1 - 5 N·m
13005	Pro 5, 1/4" female hex, 10 - 50 lbf·in
13006	Pro 5, 1/4" female hex, 10 - 50 kgf·cm

8	MODEL 5 SPARES
28900	1/4" Hex to 1/4" male square drive

Model	Adjustable	'P' Type
Part Number	13001 13002 13003	13004 13005 13006
Dimensions (mm)	A	165
	B	155
	C	102
	D	18
	E	25
	F	13
	G	2.8
Weight (kg)	0.1	0.1



Model 5 'P' Type in storage case