



PROFESSIONAL TORQUE WRENCHES MODELS 650 - 1500 ADJUSTABLE AND 'P' TYPE



For precision applications up to 1,500 N·m

- Exceptionally clear torque signal from unique mechanism
- Non-length dependant so can be used with or without the supplied extension handle (optional on Pro 650)
- Extension handle significantly reduces operator effort to achieve high torque values
- Accurate to $\pm 3\%$ of reading which meets the requirements of ISO 6789-2:2017
- On request 'P' Type wrenches can be set, marked with the setting and certified for production line applications requiring a sealed torque setting. Only if a pre-set has been requested will the tool be supplied with a Declaration of Conformance

2 ADJUSTABLE RATCHET - DUAL SCALE

14037	Pro 650, 3/4", 130 - 650 N·m, 100 - 480 lbf·ft
14015	Pro 800, 3/4", 200 - 800 N·m, 150 - 600 lbf·ft
14016	Pro 800, 1", 200 - 800 N·m, 150 - 600 lbf·ft
14002	Pro 1000, 3/4", 300 - 1,000 N·m, 220 - 750 lbf·ft
14003	Pro 1000, 1", 300 - 1,000 N·m, 220 - 750 lbf·ft
14004	Pro 1500, 3/4", 500 - 1,500 N·m, 370 - 1,100 lbf·ft
14005	Pro 1500, 1", 500 - 1,500 N·m, 370 - 1,100 lbf·ft

2 ADJUSTABLE RATCHET - N·m ONLY

14038	Pro 650, 3/4", 130 - 650 N·m
14024	Pro 800, 3/4", 200 - 800 N·m
14025	Pro 800, 1", 200 - 800 N·m
14026	Pro 1000, 3/4", 300 - 1,000 N·m
14027	Pro 1000, 1", 300 - 1,000 N·m
14028	Pro 1500, 3/4", 500 - 1,500 N·m
14029	Pro 1500, 1", 500 - 1,500 N·m

2 ADJUSTABLE RATCHET - lbf·ft ONLY

14044	Pro 650, 3/4", 100 - 480 lbf·ft
14045	Pro 800, 3/4", 150 - 600 lbf·ft
14046	Pro 800, 1", 150 - 600 lbf·ft
14047	Pro 1000, 3/4", 220 - 750 lbf·ft
14048	Pro 1000, 1", 220 - 750 lbf·ft
14049	Pro 1500, 3/4", 370 - 1,100 lbf·ft
14050	Pro 1500, 1", 370 - 1,100 lbf·ft



2 TORQUE HANDLE ADJUSTABLE - DUAL SCALE

14040	Pro 650, 22 mm spigot, 130 - 650 N·m, 100 - 480 lbf·ft
-------	--



2 FEMALE TORQUE HANDLE ADJUSTABLE - DUAL SCALE

14041	Pro 650, 14 x 18 mm, 130 - 650 N·m, 100 - 480 lbf·ft
-------	--



2 RATCHET PRODUCTION 'P' TYPE (Must be set using a Torque Tester, see pages 80 - 87)

14039	Pro 650, 3/4", 130 - 650 N·m, 100 - 480 lbf·ft
14017	Pro 800, 3/4", 200 - 800 N·m, 150 - 600 lbf·ft
14018	Pro 800, 1", 200 - 800 N·m, 150 - 600 lbf·ft
14007	Pro 1000, 3/4", 300 - 1,000 N·m, 220 - 750 lbf·ft
14008	Pro 1000, 1", 300 - 1,000 N·m, 220 - 750 lbf·ft
14009	Pro 1500, 3/4", 500 - 1,500 N·m, 370 - 1,100 lbf·ft
14010	Pro 1500, 1", 500 - 1,500 N·m, 370 - 1,100 lbf·ft

SQ2222 Pre-set, etch and certify (Allow 3 days delivery for this service)



8 PRO 650 - 1500 ACCESSORY

14142	Extension Handle (included with Pro 800 - 1500 as standard)
-------	---



2 TORQUE HANDLE PRODUCTION 'P' TYPE (Must be set using a Torque Tester, see pages 80 - 87)

14042	Pro 650, 22 mm spigot, 130 - 650 N·m, 100 - 480 lbf·ft
-------	--

SQ2222 Pre-set, etch and certify (Allow 3 days delivery for this service)



2 FEMALE TORQUE HANDLE PRODUCTION 'P' TYPE (Must be set using a Torque Tester, see pages 80 - 87)

14043	Pro 650, 14 x 18 mm, 130 - 650 N·m, 100 - 480 lbf·ft
-------	--

SQ2222 Pre-set, etch and certify (Allow 3 days delivery for this service)



All models supplied in carry case

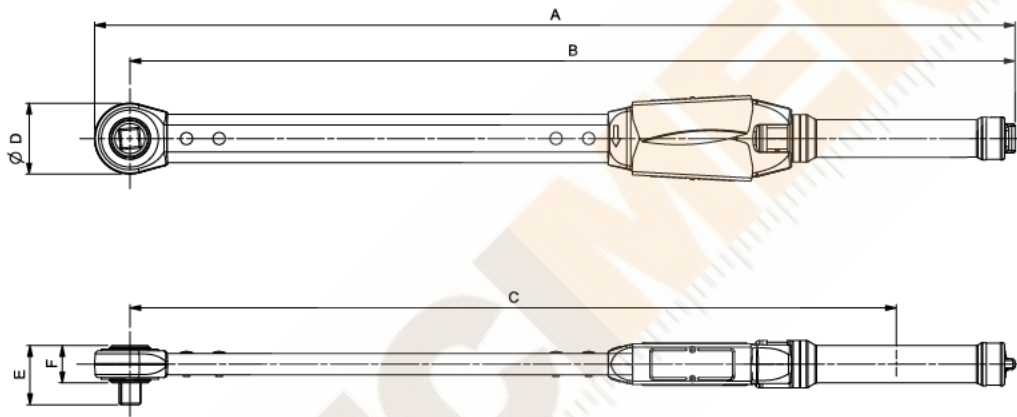


PROFESSIONAL TORQUE WRENCHES MODELS 650 - 1500 ADJUSTABLE AND 'P' TYPE



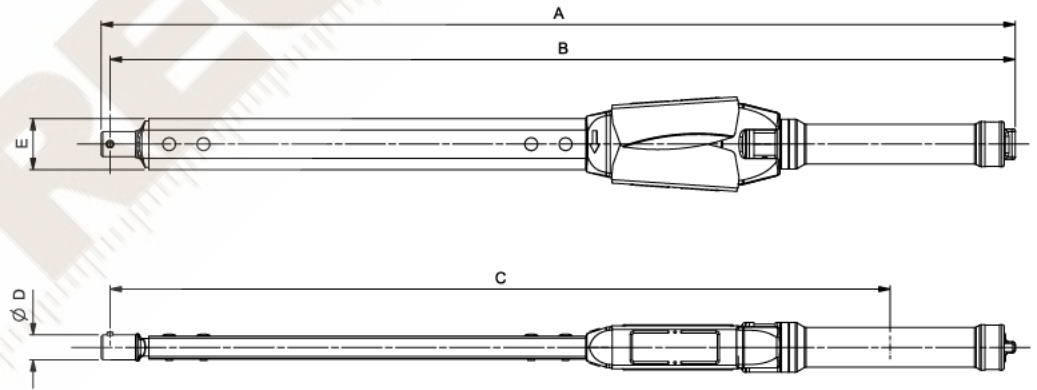
Push-Through Ratchet

Model	Pro 650	Pro 800 ¾"	Pro 800 1"	Pro 1000 ¾"	Pro 1000 1"	Pro 1500 ¾"	Pro 1500 1"	Pro 650 'P' Type	Pro 800 ¾" 'P' Type	Pro 800 1" 'P' Type	Pro 1000 ¾" 'P' Type	Pro 1000 1" 'P' Type	Pro 1500 ¾" 'P' Type	Pro 1500 1" 'P' Type	
Part Number	14037 14038 14044	14015 14024 14045	14016 14025 14046	14002 14026 14047	14003 14027 14048	14004 14028 14049	14005 14029 14050	14039	14017	14018	14007	14008	14009	14010	
Dimensions (mm)	A	856	1,037	1,037	1,245	1,245	1,571	1,571	848	1,030	1,030	1,238	1,238	1,563	1,563
	B	823	999	999	1,208	1,208	1,533	1,533	816	992	992	1,201	1,201	1,526	1,526
	C	713	889	889	1,097	1,097	1,423	1,422	713	889	889	1,097	1,097	1,424	1,423
	ØD	66	75	75	75	75	75	75	66	75	75	75	75	75	75
	E	56	58	66	58	66	58	66	55	58	66	58	58	58	66
	F	30	33	33	38	38	38	38	35	38	38	38	38	38	38
Weight (kg)	4.0	5.2	5.2	5.8	5.8	6.7	6.7	4.0	5.2	5.2	5.7	5.7	6.7	6.7	



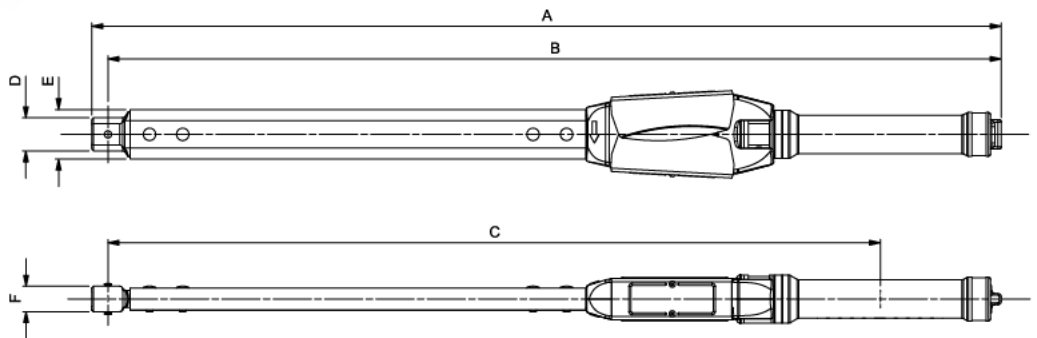
Spigot Torque Handle

Model	Pro 650	Pro 650 'P' Type
Part Number	14040	14042
Dimensions (mm)	A	807
	B	799
	C	688
	ØD	22
	E	45
Weight (kg)	3.6	3.6



Female Torque Handle

Model	Pro 650	Pro 650 'P' Type
Part Number	14041	14043
Dimensions (mm)	A	830
	B	815
	C	704
	D	30
	E	45
	F	23
Weight (kg)	3.6	3.6



NOTE: When using the Extension Handle (14142) add 495 mm to dimensions 'A' and 'B', add 515 mm to dimension C and add 1.6 kg to the weight.